



Penal-Ware® 1720 Series

Stall Type - Washout Urinal - ADA Compliant



1720-W-3

Fixture May Show Some Available Options

Please visit www.acorneng.com for most current specifications.

Stall Type - Washout Urinal - ADA Compliant

Fixture is arranged to be installed on finished wall and serviced from an accessible pipe chase. Optional Wall Sleeve or Metal template is recommended for all installations for required wall openings. Unit conforms with ANSI, UFAS and ADA requirements for accessibility. Compliance is subject to the interpretation and requirements of the local code authority. Fixture is fabricated from 14 gage, type 304 stainless steel and is seamless welded construction. Exterior has a satin finish. Interior has a matte finish. Urinal is back wall washdown type, and is optionally available with a continuous flushing rim. Corners are coved to facilitate cleaning. Back and underside of fixture are sound-deadened with fire-resistant material.

Urinal is washout type. Flushing connections are 3/4" NPT male. Bottom is sloped to an integrally welded, high capacity, stainless steel beehive dome strainer with inside caulk waste outlet intended for 2" pipe.

Verify Flush Valve rating is compatible with local code requirements.

Mounting Hardware is furnished for walls up to 8" thick.

GUIDE SPECIFICATION

Provide and install Acorn Penal-Ware Stall-Washout Urinal (specify model number and options). Fixture shall be fabricated from 14 gage, type 304 stainless steel. Inside corners of Urinal are coved to facilitate cleaning. Bottom shall be sloped to a high capacity stainless steel beehive dome strainer. Construction shall be seamless welded and exterior surfaces shall have a satin finish. Waste outlet shall be 2" inside caulk. Fixture shall be furnished with necessary fasteners for proper installation. Units to conform with ANSI, UFAS and ADA requirements for accessibility.

Penal-Ware®: 1720 Stall Type - Washout Urinal - ADA Compliant



WALL THICKNESS AND TYPE (Must Specify)

Thickness _____ Type: Concrete Block Steel

MODEL NUMBER AND OPTIONS SELECTION

BASE MODEL NUMBER

1720 Stall Type - Washout Urinal

SUPPLY (Must Specify)

-T Top (Exposed)
 -W Wall (Concealed)

FIXTURE MOUNTING AND WASTE (Must Specify)

-3 On-Floor, Floor Outlet

FLUSH VALVE GPFs (Must Specify)

-1.0 GPF (Not Available in California)
 -1.5 GPF (Not Available in California)

FLUSH VALVE OPTIONS (Must Specify)

***REFER TO ACORN DURA-WARE ACCESSORIES FOR**

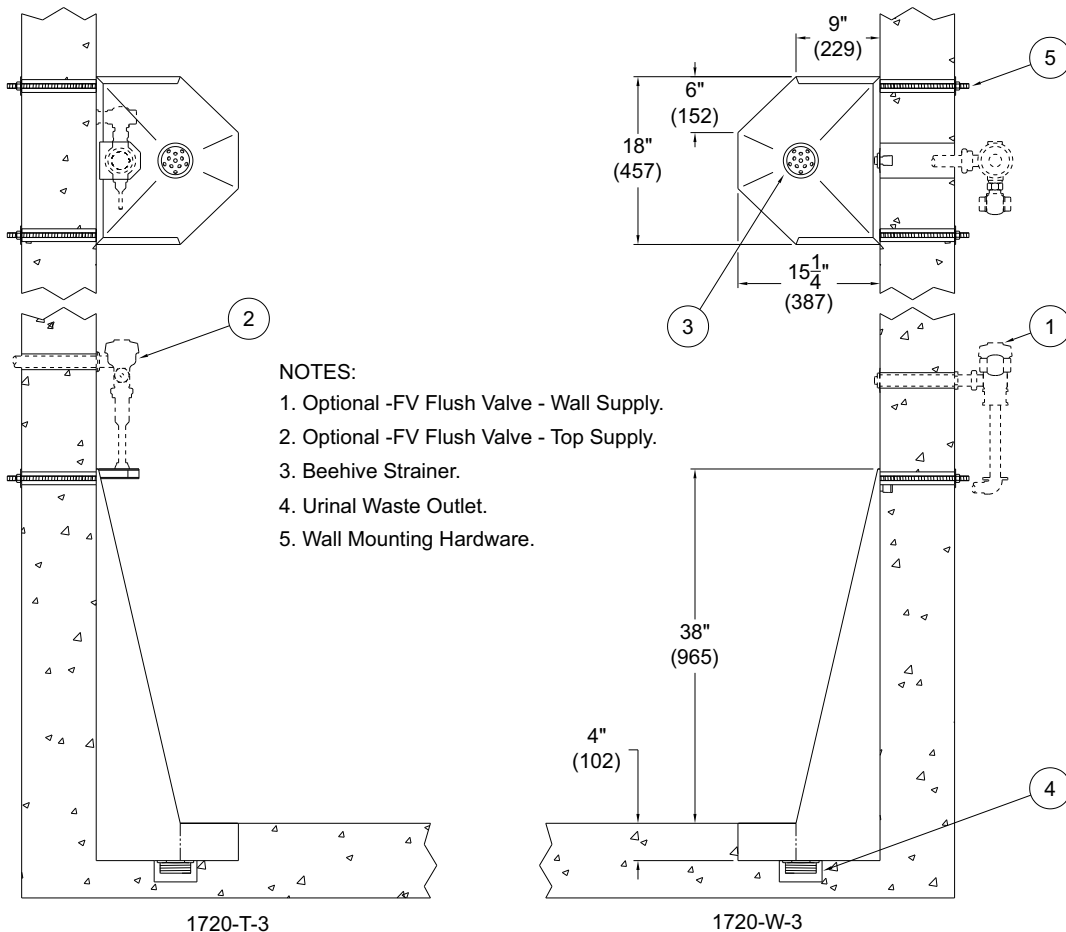
FLUSH VALVE COVER #2802, BOX #2803-1 AND PANEL #2898*

- EVSFV Master-Trol® Electronic Flush Valve (N/A for Top Supply)
- EVSPFV Master-Trol® Electronic Flush Valve w/ Piezo Button (N/A for Top Supply)
- FV Flush Valve, Mechanical (N/A for ADA)
- FVBO Flush Valve by Others
- FVH Flush Valve, Hydraulic (N/A for Top Supply)
- FVL Flush Valve, Lever Handle (Wall Supply)
- MTPFV Master-Trol® PLUS Electronic Flush Valve
- MTPPFV Master-Trol® PLUS Electronic Flush Valve w/ Piezo Button
- MVCFV Time-Trol® Electronic Flush Valve (N/A for Top Supply)

Product Options

- CFR Continuous Flushing Rim
- EG Enviro-Glaze, Specify Color: _____
- FVT Flush Valve Thru Wall Connector
- MT Metal Template (Only 1 Required Per Project)
- SW Wall Sleeve
- TF Transformer, 120VAC to 24VAC (-MVCFV option)
- TG 12 Gage Housing

Please visit www.acorneng.com for most current specifications.



- NOTES:
1. Optional -FV Flush Valve - Wall Supply.
 2. Optional -FV Flush Valve - Top Supply.
 3. Beehive Strainer.
 4. Urinal Waste Outlet.
 5. Wall Mounting Hardware.

WARNING: Cancer and Reproductive Harm - www.P65Warnings.ca.gov

<p>Important: Installation instructions and current rough-in are furnished with each fixture. Do not rough in without certified dimensions. Dimensions are subject to manufacturer's tolerance of plus or minus 1/4" and change without notice. Acorn assumes no responsibility for use of void or superseded data. © Copyright 2006 Acorn Engineering Company</p>	
<p style="text-align: center;">Selection Summary</p> <p>Model No. & Option _____</p> <p>Quantity _____</p>	<p style="text-align: center;">Approved for Manufacturing</p> <p>Company _____ Title _____</p> <p>Signature _____ Date _____</p>