



Penal-Ware® 1724 Series Urinal Screen



1724-1

Fixture May Show Some Available Options

Please visit www.acorneng.com for most current specifications.

Urinal Screen

Urinal Screen requires wall openings and chase for installation. Optional Wall Sleeve is recommended for all installation for required wall openings. Urinal Screen is fabricated from 14 gage, type 304 stainless steel. Construction is welded with visible welds ground smooth. Exterior has a satin finish. There are no accessible open seams, voids or crevices where contraband can be concealed. Fixture is reinforced with vertical braces extending the full height of the Screen, with intermediate cross bracing. There are no exposed fasteners on the front side. Interior is sound-deadened with fire-resistant material.

Mounting Hardware is furnished for walls up to 8" thick.

GUIDE SPECIFICATION

Provide and install Acorn Penal-Ware Urinal Screen (specify model number and options). Screen shall be fabricated from 14 gage, type 304 stainless steel with all welds ground smooth and exposed surfaces shall have a satin finish. Interior shall be reinforced with vertical and intermediate cross bracing. Interior is sound-deadened with fire-resistant material. Fixture shall be furnished with necessary fasteners for proper installation.



Penal-Ware®: 1724 Urinal Screen

WALL THICKNESS AND TYPE (Must Specify)

Thickness _____ Type: Concrete Block Steel

MODEL NUMBER AND OPTIONS SELECTION

BASE MODEL NUMBER

-1724 Urinal Screen

FIXTURE MOUNTING AND WASTE (Must Specify)

-1 Off-Floor

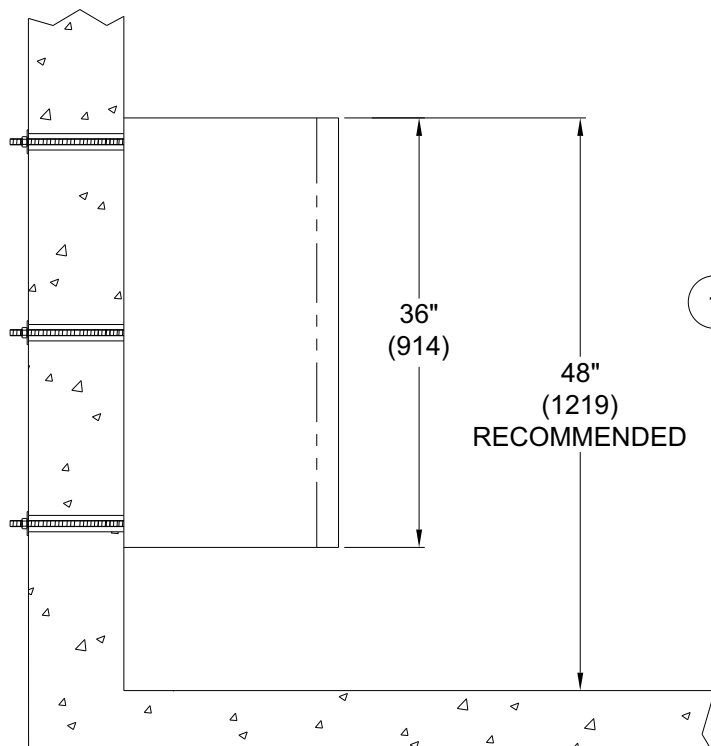
PRODUCT OPTIONS (Must Specify)

-EG Enviro-Glaze, Specify

Color: _____

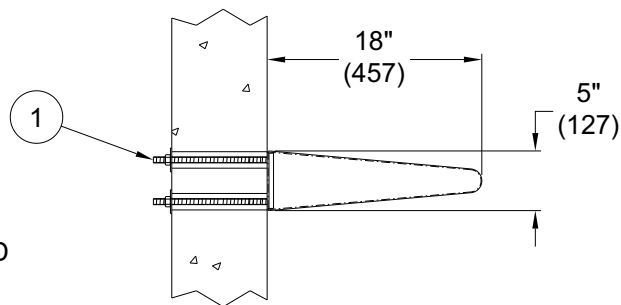
-SW Wall Sleeve

Please visit www.acorneng.com
for most current specifications.



NOTES:

1. Wall Mounting Hardware.



1724-1

WARNING: Cancer and Reproductive Harm - www.P65Warnings.ca.gov

<p>Important: Installation instructions and current rough-in are furnished with each fixture. Do not rough in without certified dimensions. Dimensions are subject to manufacturer's tolerance of plus or minus 1/4" and change without notice. Acorn assumes no responsibility for use of void or superseded data. © Copyright 2006 Acorn Engineering Company</p>	
<p style="text-align: center;">Selection Summary</p> <p>Model No. & Option _____</p> <p>Quantity _____</p>	<p style="text-align: center;">Approved for Manufacturing</p> <p>Company _____ Title _____</p> <p>Signature _____ Date _____</p>