



## Penal-Ware® 1741ADA Series

Penal-Pak Wall Shower - ADA Compliant



1741ADA-8MV-FH

**MGI CONTROLS** INSIDE Fixture May Show Some Available Options

Please visit [www.acorneng.com](http://www.acorneng.com) for most current specifications.

### Penal-Pak Wall Shower - ADA Compliant

**Shower** is designed to be installed on a finished wall and serviced from an accessible pipe chase. Back of Shower is provided with Anchor Tappings. Optional Wall Sleeve or Metal Template is recommended for all installations for required wall openings. The fixture is fabricated from 14 gauge, type 304 stainless steel and the exterior has a #4 satin finish. Unit conforms with ANSI, UFAS and ADA requirements for accessibility. Compliance is subject to the interpretation and requirements of the local code authority.

**NOTE: Not intended for use in California.**

**Showerhead.** There are two Heads provided:

1. The Fixed Head is vandal-resistant. The spray pattern can only be changed by the use of an Allen Wrench inserted through the Nozzle.
2. The Handheld Shower includes a 60" long, stainless steel Hose, Hand Spray, Vacuum Breaker, Quick-Disconnect and Mounting Bracket. Unit is optionally available with suffix option -FH Fixed Head mounted at 48" in lieu of Handheld Shower.

**Valves** (ADA compliant) available are:

1. Air-Control Pushbutton Valves using atmospheric air; metering non-hold open type. Timing is from 5 to 60 seconds. Air-Control Valves can be remotely located up to 10 feet from the operating Pushbuttons.
2. Electronic Valve System using Modular Valve Controller for water metering through precise electronic control of a Solenoid Valve. Valve timing is from 1 second to 9 minutes. Modular Valve Controller can be remotely located up to 100 feet from the operating pushbutton.

**Regularly furnished** items include an ADA compliant Control Valve, a Showerhead, a Handheld Shower with Quick-Disconnect, a Mounting Bracket for the Flexshower, a recessed Soap Dish and Mounting Hardware. Grab Bar and Folding Seat by others.

#### GUIDE SPECIFICATION

Provide and install an Acorn Penal-Ware, ADA Compliant Wall Shower (specify model number and options). Shower Panel shall be fabricated from 14 gauge, type 304 stainless steel and shall have a #4 satin finish. Exposed trim shall be chrome-plated brass. Fixture shall be furnished with a fixed Showerhead, a handheld Shower with Vacuum Breaker, Quick-Disconnect and Mounting Bracket. Shower shall be provided with an ADA compliant Control Valve. A stainless steel recessed Soap Dish shall be factory installed. Fixture shall be provided with necessary fasteners for proper installation. Units to conform with ANSI, UFAS and ADA requirements for accessibility.

# Penal-Ware®: 1741ADA Penal-Pak Wall Shower -ADA Compliant



## WALL THICKNESS AND TYPE (Must Specify)

Thickness: \_\_\_\_\_ Type:  Concrete  Block  Steel

## MODEL NUMBER AND OPTIONS SELECTION:

### BASE MODEL NUMBER

1741ADA Penal-Pak Wall Shower ADA Compliant

## VALVE SELECTION (Must Specify)

### Air-Control (Pneumatic)

- 03-M-MA2 Manifolder Single Temp, Metering
- 04-M-MA2 Manifolder Hot & Cold, Metering

### T/P Mixing Valve (SV16)

- 8MV ASSE 1016 Compliant T/P Temperature/ Pressure Balancing Mixing Valve & Patented ADA Compliant Ligature Resistant Tri-Lever Handle w/ Single-Temp Metering Air-control Valve

### Master-Trol® (Electronic)

- EVS1 Single Temp
- EVS2 Hot & Cold
- EVSP1 Single Temp, Piezo Button
- EVSP2 Hot & Cold, Piezo Buttons

### Master-Trol® PLUS (Electronic)

- MTP1 Single Temp
- MTP2 Hot & Cold
- MTPP1 Single Temp, Piezo Button
- MTPP2 Hot & Cold, Piezo Buttons

### Time-Trol® (Electronic)

- MVC1 Single Temp
- MVC2 Hot & Cold

## VALVE SELECTION (Continued)

### Programmable (Electronic) w/9VDC Plug-In Transformer

- PPZ1 Single Temp Programmable Piezo Button
- PPZ2 Hot & Cold Programmable Piezo Buttons

### Valve By Others

- 9 Punched for Valve by Others

## VALVE OPTIONS

- BRS Brass Body Valve
- PBH Hemispherical Pushbutton (Pneumatic Only)
- TF Transformer, 120VAC to 24VAC (-MVC option only)

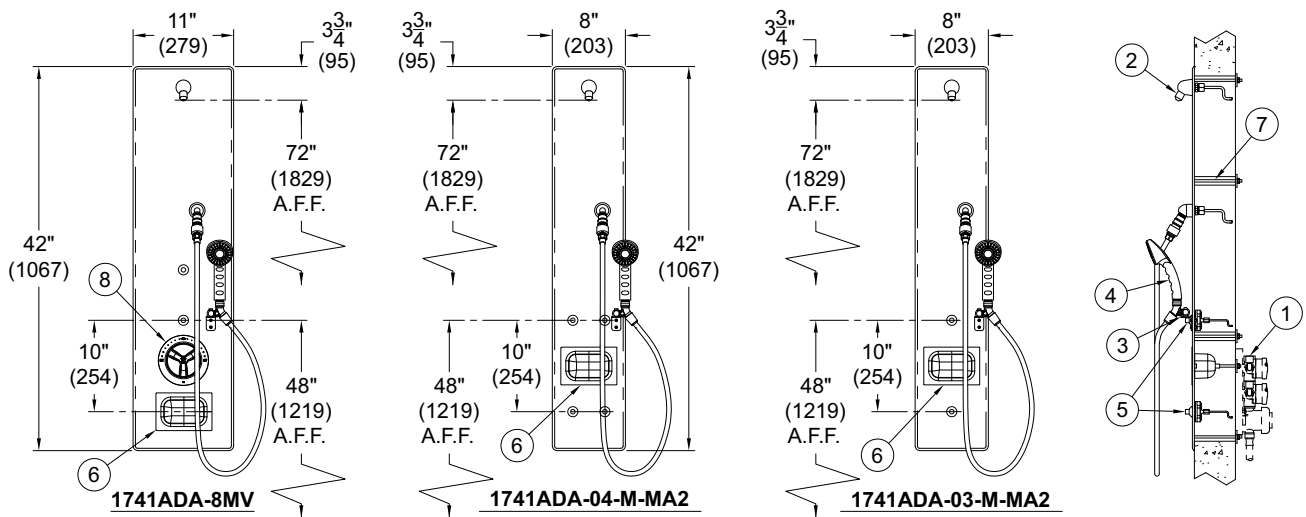
## SHOWERHEAD OPTIONS

- CSH Conical Showerhead
- F Flow Control
  - 2.0 GPM (Not Available For Use in California)
- FH Fixed Showerhead at 48" in Lieu of Handheld Shower
- PYY Penal Showerhead w/Lockable Universal Ball Joint
- PZZ Penal Showerhead w/Lockable Up-Down Ball Joint
- SSV Space-Saver Showerhead 20-Degree Discharge

## PRODUCT OPTIONS

- D Soap Dish
- EG Enviro-Glaze, Specify Color: \_\_\_\_\_
- MT Metal Template (Only 1 Required Per Project)
- LRD Less Recessed Soap Dish
- ST7069 Mixing Valve Assy (Do Not Use for -8, -8MV)
- SW Wall Sleeve
  - 03M Single Temperature / -04M H&C
  - 8MV

Please visit [www.acorneng.com](http://www.acorneng.com) for most current specifications.



### NOTES:

1. -03-M-MA2 Manifolder Air-Control Valve Shown
2. Penal Shower Head
3. Hand Shower Mounting Bracket
4. Hand Shower with Quick Disconnect
5. Control Valve Pushbuttons
6. Recessed Soap Dish
7. Wall Mounting Hardware
8. Optional T/P Temperature/Pressure Balancing Valve w/ Vandal Resistant & ADA Compliant Tri-Lever Handle

**WARNING:** Cancer and Reproductive Harm - [www.P65Warnings.ca.gov](http://www.P65Warnings.ca.gov)

<b>Important:</b> Installation instructions and current rough-in are furnished with each fixture. Do not rough in without certified dimensions. Dimensions are subject to manufacturer's tolerance of plus or minus 1/4" and change without notice. Acorn assumes no responsibility for use of void or superseded data. © Copyright 2006 Acorn Engineering Company	
Selection Summary Model No. & Option _____ Quantity _____	Approved for Manufacturing Company _____ Title _____ Signature _____ Date _____