



Penal-Ware® 1741FA Series

Penal-Pak - Wall Shower - Front Access



1741FA-8MV-RD

Fixture May Show Some Available Options



Please visit www.acorneng.com for most current specifications.

Penal-Pak - Wall Shower - Front Access

Shower is arranged to be installed on finished wall and serviced through removable Front Panel. Mounting Frame is provided. Fixture is fabricated from 14 gauge, type 304 stainless steel. Exterior has a #4 satin finish.

Showerhead. The Acorn Showerhead is vandal-resistant. The Nozzle is threaded into the Body and then locked into place by a Set Screw. The spray pattern can only be changed by use of an Allen Wrench inserted through the Nozzle. Showerhead is chrome-plated brass.

Valve is an Air-Control pneumatically operated, Pushbutton Valve using atmospheric air. Pushbutton is vandal-resistant and requires less than 5 pounds of force to activate Valve. Valve is metering type with non-hold open feature. Timing is adjustable from 5 to 60 seconds. Valve includes a 1.6 GPM flow restrictor.

Regularly Furnished items include an Air-Control metering, non-hold open valve, a Showerhead, mounting frame and hardware.

GUIDE SPECIFICATION

Provide and install Acorn Penal-Pak-Wall Shower-Front Access (specify model number and options). Shower Panel shall be fabricated from 14 gauge, type 304 stainless steel and shall have a #4 satin finish. Trim shall be chrome-plated brass or stainless steel. Shower Valve shall be Air-Control, metering, non-hold open type. Fixture shall be furnished with necessary Fasteners for proper installation.



Penal-Ware®: 1741FA Penal-Pak - Wall Shower - Front Access

WALL THICKNESS AND TYPE (Must Specify)

Thickness _____ Type: Concrete Block Steel

MODEL NUMBER AND OPTIONS SELECTION

BASE MODEL NUMBER

1741FA Penal-Pak Wall Shower - Front Access

VALVE SELECTION (Must Specify)

Air-Control (Pneumatic)

- 03-M Single Temp, Metering
- 04-M Hot & Cold, Metering

T/P Mixing Valve (SV16)

- 8 ASSE Compliant T/P Balancing Mixing Valve w/ Patented Ligature Resistant and Vandal Resistant Tri-Lever Handle
- 8MV ASSE 1016 Compliant T/P Temperature/Pressure Balancing Mixing Valve w/ Single-Temp Metering Valve & Patented ADA Compliant Ligature Resistant Tri-Lever Handle

Master-Trol® (Electronic)

- EVS1 Single Temp
- EVS2 Hot & Cold
- EVSP1 Single Temp, Piezo Button
- EVSP2 Hot & Cold, Piezo Buttons

Master-Trol® PLUS (Electronic)

- MTP1 Single Temp
- MTPP1 Single Temp, Piezo Button

(Models with MTP2 & MTPP2 Hot & Cold Valve are modified; Contact local Sales Representative for details.)

VALVE SELECTION (Continued)

Time-Trol® (Electronic)

- MVC1 Single Temp
- MVC2 Hot & Cold

Programmable (Electronic) w/9VDC Plug-In Transformer

- PPZ1 Single Temp Programmable Piezo Button
- PPZ2 Hot & Cold Programmable Piezo Buttons

Valve By Others

- 9 Punched for Valve by Others

VALVE OPTIONS

- BRS Brass Body Valve
- PBH Hemispherical Pushbutton (Ligature Resistance)
- TF Transformer, 120VAC to 24VAC (-MVC option only)

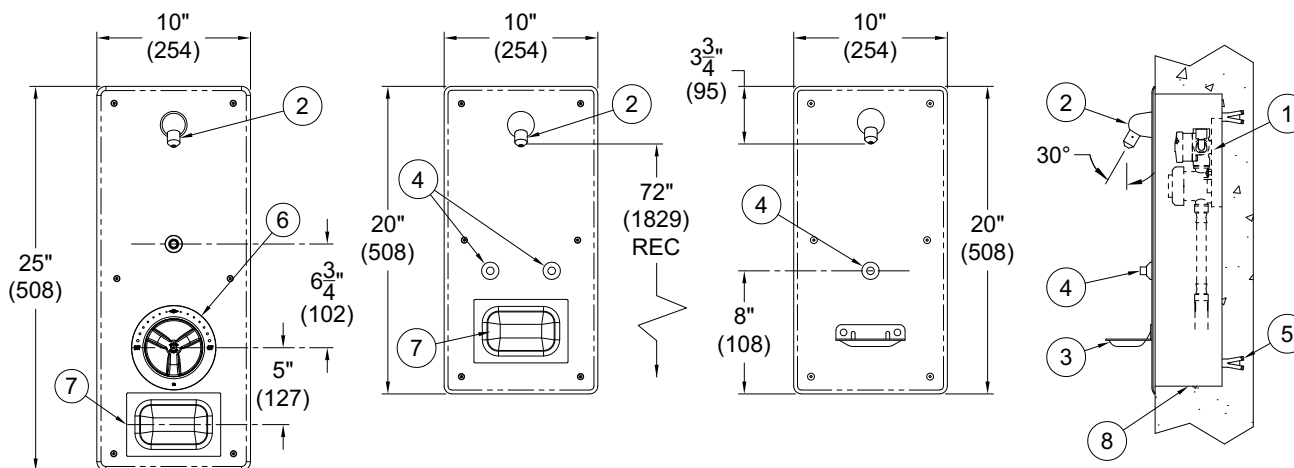
SHOWERHEAD OPTIONS

- CSH Conical Showerhead (Ligature Resistance)
- F Flow Control
 - 2.0 GPM (Not Intended For Use in California)
- PYY Penal Lockable Universal Ball Joint
- PZZ Penal Lockable Up-Down Ball Joint
- SSV Space Saver Showerhead 20 Degree Discharge

PRODUCT OPTIONS

- D Surface Mounted Soap Dish
- EG Enviro-Glaze, Specify Color: _____
- RD Recessed Soap Dish
- ST7069 Mixing Valve Assy (Do Not Use for -8, -8MV)

Please visit www.acorneng.com for most current specifications.



1741FA-8MV-RD

1741FA-04-M-RD

1741FA-03-M-D

NOTES:

1. Optional -03-M Air-Control Valve
2. Penal Showerhead
3. Optional -D Surface Mounted Soap Dish
4. Penal Pushbutton(s)
5. Wall Mounting Anchors (By Others)
6. T/P Temperature/Pressure Balancing Valve w/ Tri-Lever Handle
7. Optional -RD Recessed Soap Dish
8. Mounting Can

WARNING: Cancer and Reproductive Harm - www.P65Warnings.ca.gov

<p>Important: Installation instructions and current rough-in are furnished with each fixture. Do not rough in without certified dimensions. Dimensions are subject to manufacturer's tolerance of plus or minus 1/4" and change without notice. Acorn assumes no responsibility for use of void or superseded data. © Copyright 2006 Acorn Engineering Company</p>	
<p>Selection Summary</p> <p>Model No. & Option _____</p> <p>Quantity _____</p>	<p>Approved for Manufacturing</p> <p>Company _____ Title _____</p> <p>Signature _____ Date _____</p>