



Dura-Ware® 2012 Series

Drinking Fountain - ADA 2010 Compliant



2012-ADA-1-BC-3

Fixture May Show Some Available Options

Please visit www.acorneng.com for most current specifications.

Drinking Fountain - ADA 2010 Compliant

Fixture is designed to be installed and serviced from the front of a finished wall. Fixture is fabricated from 16 gage, type 304 stainless steel and is seamless welded construction with satin finish. Bottom of unit includes removable enclosure. Unit conforms with ANSI, UFAS and ADA 2010 requirements for accessibility. Compliance is subject to the interpretation and requirements of the local code authority.

Countertop has a deck-mounted bubbler with mouthguard.

Bowl is multi-sided. Standard close elbow waste outlet is 1-1/4" O.D. plain end.

Valve is a pneumatically operated, non-metering, self-closing type. All exposed trim is chrome-plated. Valve has a 0.7 GPM flow control. ADA compliant pushbutton requires less than 5 pounds push to activate valve. Valve and bubbler conform with lead-free requirements for NSF61, Section 9, 1997 and CHSC 116875.

Regularly furnished items include an air control self-closing valve, a bubbler with mouthguard, grid strainer with close elbow, and mounting bracket. Screws and anchor shields by others.

GUIDE SPECIFICATION

Provide and install Acorn Dura-Ware, ADA 2010 Compliant Drinking Fountain (specify model number and options). Fixture shall be fabricated from 16 gage, type 304 stainless steel. Construction shall be seamless welded and exposed surfaces shall have a satin finish. Fixture shall be furnished with an Air-Control self-closing valve, a bubbler with mouthguard, grid strainer with close elbow, and a mounting bracket. Valve and bubbler conform with lead-free requirements for NSF61, Section 9, 1997 and CHSC 116875. The pushbutton for the air control valve shall be ADA compliant. Installer shall furnish mounting screws, anchor shields and required reinforcement. Units to conform with ANSI, UFAS and ADA requirements for accessibility.

Dura-Ware® 2012 : Drinking Fountain - ADA Compliant



MODEL NUMBER AND OPTIONS SELECTION:

BASE MODEL NUMBER

2012 15" Wide Drinking Fountain, ADA Compliant

FIXTURE MOUNTING AND WASTE (Must Specify)

-1 Off-Floor, Wall Outlet

BUBBLER SELECTION (Must Specify)

-BC Bubbler, Code

-BP Bubbler, Penal

VALVE SELECTION (Must Specify)

-3 Air-Control, Single Temperature

-MVC1 Time-Trol - Single Temp

-PPZ1 Programmable Piezo Button - Single Temp

PRODUCT OPTIONS (Must Specify)

-AB Angle Braces

-BRS Brass Body Valve

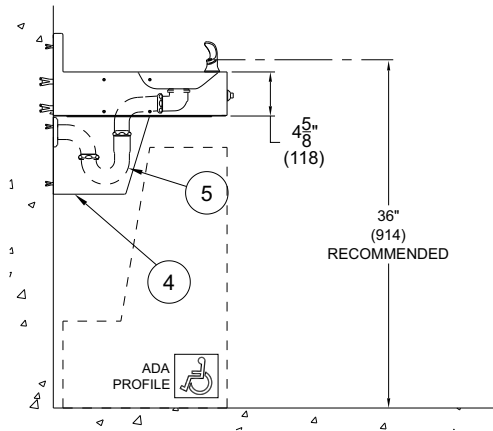
-EG Enviro-Glaze Color, Specify: _____

-FG 14 Gage Housing

-FP Freeze Resistant Box

-TPT Tubular P-Trap 1-1/4" x 1-1/2"

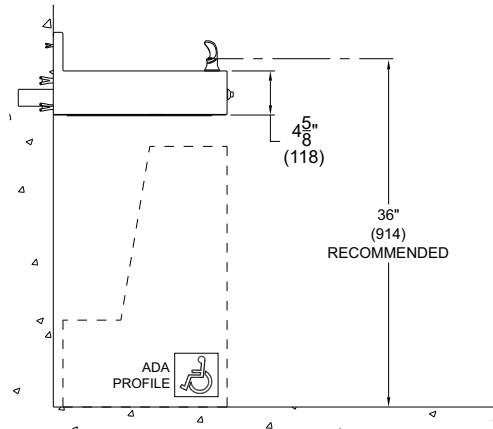
Please visit www.acorneng.com for most current specifications.



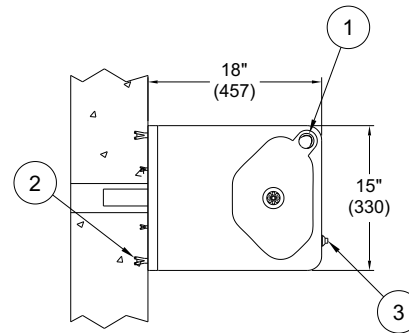
2012-1-3-BC-TPT

NOTES:

1. DRINKING BUBBLER WITH MOUTHGUARD.
2. WALL MOUNTING ANCHORS (BY OTHERS)
3. VALVE PUSHBUTTON.
4. ENCLOSED BOTTOM.
5. -TPT TUBULAR P-TRAP.



2012-1-3-BC



WARNING: Cancer and Reproductive Harm - www.P65Warnings.ca.gov

<p>Important: Installation instructions and current rough-in are furnished with each fixture. Do not rough in without certified dimensions. <small>Dimensions are subject to manufacturer's tolerance of plus or minus 1/4" and change without notice. Acorn assumes no responsibility for use of void or superseded data. © Copyright 2009 Acorn Engineering Company</small></p>	
<p style="text-align: center;">Selection Summary</p> <p>Model No. & Option _____</p> <p>Quantity _____</p>	<p style="text-align: center;">Approved for Manufacturing</p> <p>Company _____ Title _____</p> <p>Signature _____ Date _____</p>