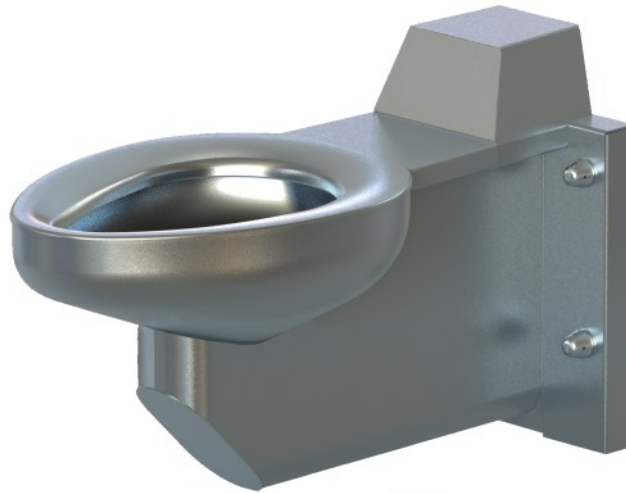




## Dura-Ware® 2105BAR Series

Bariatric Toilet - Off Floor



2105BAR-W-1-CN

Fixture May Show Some Available Options



Please visit [www.acorneng.com](http://www.acorneng.com) for most current specifications.

### Bariatric Toilet - Off Floor

Toilet is arranged to be installed on a finished wall from the front side using an appropriate Bariatric Support System to be provided by others. Optional -HSBJ Big John® hinged Toilet Seat is rated at 1,200 lbs. Toilet bowl and Internal Sub-Frame are fabricated from 14 gage type 304 stainless steel, is seamless welded construction, and includes an integral contoured Seat. Fixture is rated at 1000 lbs Bariatric load when used in conjunction with an appropriately rated Bariatric Support System, provided by others. Fixture interior and exterior has a satin finish.

**Toilet** is Siphon Jet type with elongated Bowl manufactured to comply with ASME A112.19.3 and CSA B45.4 standards. Toilet requires a minimum of 25 PSI flow pressure and uses a minimum water consumption of 1.28 GPF. Trap has a minimum 3-1/2" seal, will pass a 2-1/8" ball and is fully enclosed. Toilet has a 1-1/2" NPT Flush Valve connection and a gasketed Waste Outlet.

**Flush Valve** supply is additionally available for exposed or concealed Flush Valve styles in 1.28 GPF, 1.6 GPF or 3.5 GPF with 1-1/2" NPT connection.

#### GUIDE SPECIFICATION

Provide and install Acorn Dura-Ware Bariatric Toilet (specify model number and options) rated at 1000 lbs. Toilet bowl and Internal Sub-Frame shall be fabricated from 14 gage, type 304 stainless steel. Construction shall be seamless welded and all exposed surfaces shall have a satin finish with an integral contoured Toilet Seat. Toilet shall be concealed Siphon Jet type with an elongated Bowl and a self-draining flushing rim. Toilet shall be ASME A112.19.3 and CSA B45.4 compliant. Toilet requires a minimum of 25 PSI flow pressure and uses a minimum water consumption of 1.28 GPF. Toilet trap shall have a minimum 3-1/2" seal that shall pass a 2-1/8" diameter ball and be fully enclosed. Toilet waste outlet shall be a gasketed Waste.

#### **Compatible Water Closet Support**

[www.jrsmith.com/uploads/fileLibrary/pm2584.pdf](http://www.jrsmith.com/uploads/fileLibrary/pm2584.pdf)

# Dura-Ware® 2105BAR: Bariatric Toilet - Off Floor



## WALL THICKNESS AND TYPE (Must Specify)

Thickness \_\_\_\_\_ Type:  Concrete  Block  Steel

## MODEL NUMBER AND OPTIONS SELECTION

### BASE MODEL NUMBER

2105BAR Bariatric Toilet

### SUPPLY (Must Specify)

-T Top (Exposed)  
 -W Wall (Concealed)

### FIXTURE MOUNTING AND WASTE

-1 Off-Floor, Wall Outlet  
 -ADA 18" Integral Seat Height

### FLUSH VALVE GPF's (Must Specify)

-1.28 GPF (HET)  
 -1.6 GPF (Not Available in California)  
 -3.5 GPF (Not Available in California)

### FLUSH VALVE OPTIONS (Must Specify)

#### \*SEE ACORN DURA-WARE SUPPLEMENTARY MATERIAL

#### FOR FLUSH VALVE COVERS AND BOXES\*

-FV Flush Valve (N/A for ADA)  
 -FVBO Flush Valve by Others  
 -FVH Flush Valve, Hydraulic  
 -FVL Flush Valve, ADA Lever Handle (Wall Supply)  
 -MVCFV Time-Trol Flush Valve (N/A for Top Supply)

## TOILET SEAT OPTIONS

-HSBJ Big John® Hinged Seat 1,200 lbs Rated  
 -Open Front Less Cover  
 -Open Front With Cover  
 -HPS High Polish Integral Seat  
 -PFS Punched for Seat by Others

## TOILET OPTIONS

-BL Bedpan Lugs  
 -FT Flood-Trol (N/A w/ Top Supply)\*\*  
 -FTA Flood-Trol Auto-Reset (N/A w/ Top Supply)\*\*  
 -FTE Flood-Trol Electronic\*\*

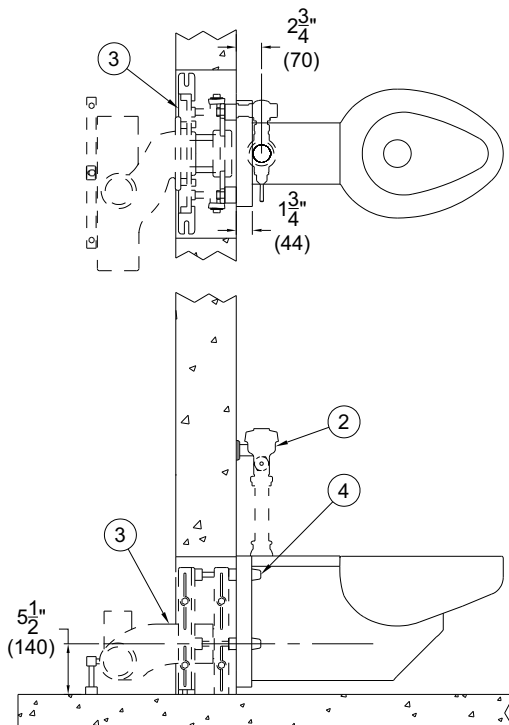
(NOTE: \*\*Not available with Top Supply. Requires min. 6" wall depth and Access Panel to install and service.)

-FVT Flush Thru Wall Connector  
 -HET High Efficiency Toilet Design  
 -TF Transformer, 120VAC to 24VAC (For -MVCFV)  
 -TSC Toilet Shipping Cover

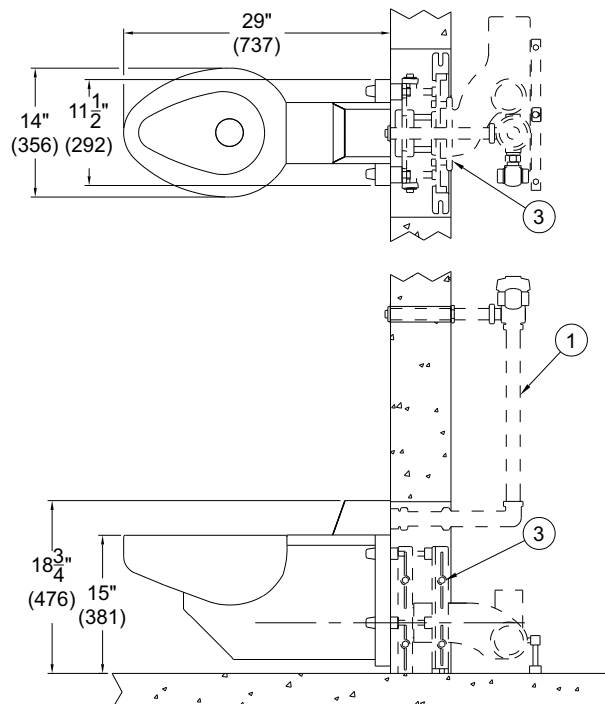
## PRODUCT OPTIONS

-BCN Blind Cap Nuts (4)  
 -CN Cap Nuts (4)  
 -EGE Enviro-Glaze Color Specify: \_\_\_\_\_  
 Toilet Exterior Only  
 -VAC AcornVac System

Please visit [www.acorneng.com](http://www.acorneng.com) for most current specifications.



2105BAR-T-1



2105BAR-W-1

### NOTES:

- Optional -FV Flush Valve -Wall Supply
- Optional -FV Flush Valve -Top Supply

- Bariatric Rated Mounting Carrier (By Others)
- Optional -CN Cap Nuts

**WARNING:** Cancer and Reproductive Harm - [www.P65Warnings.ca.gov](http://www.P65Warnings.ca.gov)

<p><b>Important:</b> Installation instructions and current rough-in are furnished with each fixture. Do not rough in without certified dimensions. Dimensions are subject to manufacturer's tolerance of plus or minus 1/4" and change without notice. Acorn assumes no responsibility for use of void or superseded data. © Copyright 2009 Acorn Engineering Company</p>	
<p>Selection Summary</p> <p>Model No. &amp; Option _____</p> <p>Quantity _____</p>	<p>Approved for Manufacturing</p> <p>Company _____ Title _____</p> <p>Signature _____ Date _____</p>