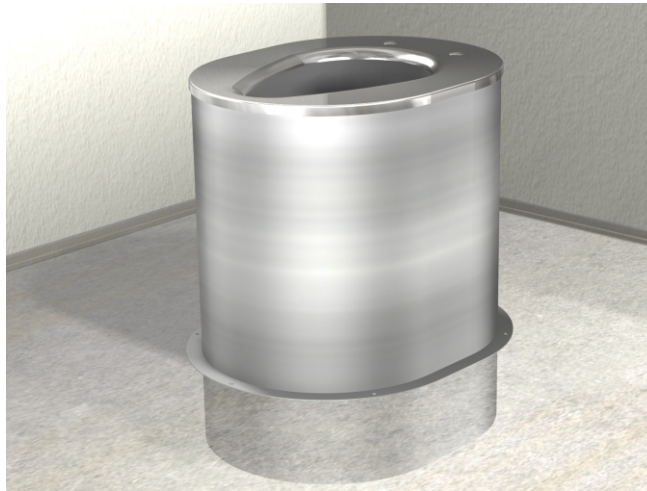




Dura-Ware® 2131 Series

Waterless Toilet Stool - ADA Compliant



2131-ADA-3

Fixture May Show Some Available Options

Please visit www.acorneng.com for most current specifications.

Waterless Toilet Stool - ADA Compliant

These toilets are recommended for comfort stations in wilderness areas, parks, camps, farms and similar locations where sewer systems are not available. Unit is designed for installation over vented pits. Design is vandal-resistant and permits easy replacement of similar existing units due to common floor opening. Waterless Toilet conforms to ADA, ANSI and UFAS requirements for accessibility and meets or exceeds structural requirements CSA B45.4-08. Compliance is subject to the interpretation and requirements of the local code authority.

Waterless Toilet riser is fabricated from 18 gage, type 304 stainless steel with all welded construction. Exposed surfaces are polished to a satin finish. Riser includes a pre-drilled flange at floor for mounting.

Integral Toilet seat is 14 gage, type 304 stainless steel and includes punching for optional plastic hinged seat.

GUIDE SPECIFICATION

Provide and install Acorn Vandal-Resistant Waterless Toilet Riser (specify model number and options). Riser shall be fabricated of 18 gage, type 304 stainless steel with exposed surfaces polished to a satin finish. Integral seat to be 14 gage, type 304 stainless steel. All joints to be welded construction. Provide pre-drilled flange for mounting to floor. Unit to conform to ADA accessibility requirements. Installer to provide mounting hardware to floor and floor anchors. Unit to be installed per manufacturer's recommendations.

Dura-Ware®: 2131 Waterless Toilet Stool - ADA Compliant



MODEL NUMBER AND OPTIONS SELECTION

BASE MODEL NUMBER

-2131 ADA Waterless Toilet Stool

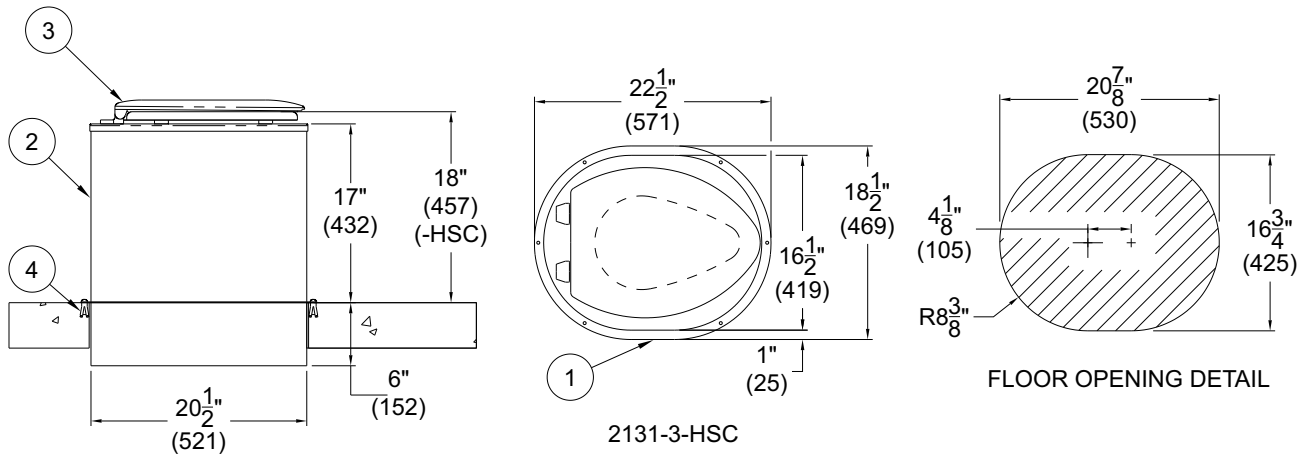
FIXTURE MOUNTING AND WASTE (Must Specify)

-3 On-Floor, Floor Outlet

PRODUCT OPTIONS (Must Specify)

- EG Enviro-Glaze Color, Specify: _____
- HS-OFLC Open Front, Hinged Seat Less Cover
- HS-OFWC Open Front, Hinged Seat With Cover

Please visit www.acorneng.com for most current specifications.



NOTES:

- 1. Floor Flange with Anchor Holes.
- 2. Toilet Housing.
- 3. Optional -HSC Hinged Seat with Cover.
- 4. Floor Anchors, Provided By Others.

WARNING: Cancer and Reproductive Harm - www.P65Warnings.ca.gov

<p>Important: Installation instructions and current rough-in are furnished with each fixture. Do not rough in without certified dimensions. <small>Dimensions are subject to manufacturer's tolerance of plus or minus 1/4" and change without notice. Acorn assumes no responsibility for use of void or superseded data. © Copyright 2006 Acorn Engineering Company</small></p>	
<p style="text-align: center;">Selection Summary</p> <p>Model No. & Option _____</p> <p>Quantity _____</p>	<p style="text-align: center;">Approved for Manufacturing</p> <p>Company _____ Title _____</p> <p>Signature _____ Date _____</p>