



Dura-Ware® 2802

Flush Valve Cover with Flush Valve



2802-FV-PHL

Graphic May Show Some Available Options

Please visit www.acorneng.com for most current specifications.

Flush Valve Cover with Flush Valve

Acorn Flush Valve Cover with Flush Valve is recommended for flushing conventional toilets, urinals and floor drains with top supply (exposed) flush valve connections where vandal resistance is a concern.

Flush Valve is exposed type with cast bronze body. Flush valve includes non-hold open metal pushbutton, union angle stop and code approved vacuum breaker. All exposed parts are polished chrome plated.

Specify required Flush Valve: Optional -FVH Hydraulic Flush Valve is required for ADA Toilets. Refer to supplemental submittal sheets for -EVS and - MVC Electronic Flush Valve models (IMPORTANT: Electronic Valve Controller locations should be coordinated with Factory prior to ordering to ensure proper placement details.)

Flush Valve Cover is 16 gage, type 304 stainless steel with exposed surfaces polished to a #4 satin finish. It is furnished with six removable wall brackets secured with vandal resistant screws.

Optional -SLPT Sloping Top eliminates flat top surface to prevent shelf for debris or persons from standing on top of Box and improves ligature resistance (Recommended with LR Series Toilets). Determine top of Box dimension and toilet seat height when used with Grab Bars to ensure proper clearance.

GUIDE SPECIFICATION

Provide and install Acorn Flush Valve Cover with Flush Valve. Flush Valve Cover fabricated from 16 gage, type 304 stainless steel. All exposed stainless steel surfaces shall have a satin finish. Flush valve shall be pushbutton operated with cover secured with stainless steel vandal resistant fasteners. Wall anchors and anchoring hardware by others.

Dura-Ware® 2802: Flush Valve Cover with Flush Valve



SPECIFY MODEL OF FIXTURE FOR APPLICATION:

BASE MODEL NUMBER

(Select from Toilet or Urinal FV column below)

2802 Flush Valve Cover with Flush Valve

TOILET FLUSH VALVE SELECTION (Must Specify)

- FV Flush Valve (Pushbutton Centered Only)
- FVH Hydraulic Flush Valve (Specify Pushbutton Location)
 - LH Left RH Right
- EVSFV Master-Trol® Electronic Flush Valve
- EVSPFV Master-Trol® Electronic Flush Valve w/ Piezo Pushbutton
- MTPFV Master-Trol® PLUS Electronic Flush Valve
- MTPPFV Master-Trol® PLUS Electronic Flush Valve w/ Piezo Pushbutton
- MVCFV Time-Trol® Electronic Flush Valve

TOILET FLUSH VALVE GPF'S (Must Specify)

Note: GPF is not applicable with the option -FVBO

- 1.28 GPF (HET)
- 1.6 GPF (Not Available in California)
- 3.5 GPF (Not Available in California)

SUPPLY INLET LOCATION (Must Specify)

- LH Left Side (Standard) RH Right Side

URINAL FLUSH VALVE SELECTION (Must Specify)

- FV Flush Valve (Pushbutton Centered Only)
- FVH Hydraulic Flush Valve (Specify Pushbutton Location)
 - LH Left RH Right
- EVSFV Master-Trol® Electronic Flush Valve
- EVSPFV Master-Trol® Electronic Flush Valve w/ Piezo Pushbutton
- MTPFV Master-Trol® PLUS Electronic Flush Valve
- MTPPFV Master-Trol® PLUS Electronic Flush Valve w/ Piezo Pushbutton
- MVCFV Time-Trol® Electronic Flush Valve

URINAL FLUSH VALVE GPF'S (Must Specify)

Note: GPF is not applicable with the option -FVBO

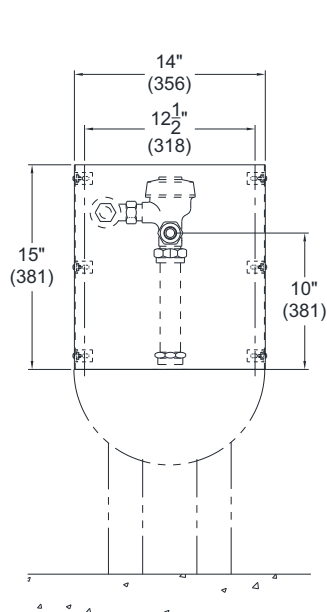
- 0.125 GPF
- 0.5 GPF (Not Available in California)
- 1.0 GPF (Not Available in California)
- 1.5 GPF (Not Available in California)
- 3.5 GPF (Not Available in California)

SUPPLY INLET LOCATION (Must Specify)

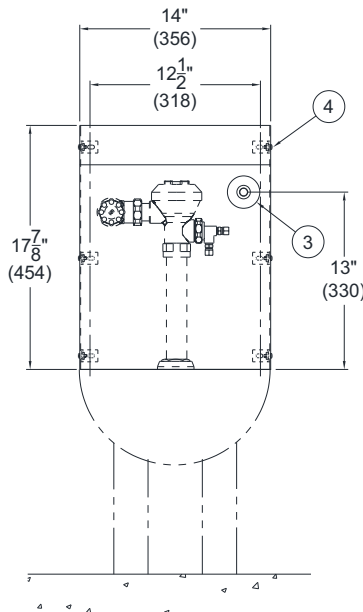
- LH Left Side (Standard) RH Right Side

FLUSH VALVE COVER OPTIONS

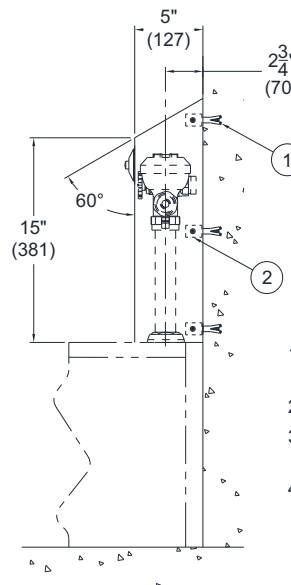
- EG Enviro-Glaze, Specify Color: _____
- PH Paper Holder
 - PHL Paper Holder Left
 - PHR Paper Holder Right
- SLPT Sloping Top
- TF Transformer, 120VAC TO 24VAC (-MVCFV option only)



MODEL #2802-FV



MODEL #2802-FVH-RH-SLPT



1. Wall Anchors And Anchoring Hardware By Others
2. Mounting Clips
3. Hydraulic Flush Valve Pushbutton -RH Right Hand (Left Hand Opposite)
4. Vandal Resistant Fasteners

Please visit www.acorneng.com for most current specifications. **WARNING:** Cancer and Reproductive Harm - www.P65Warnings.ca.gov

<p>Important: Installation instructions and current rough-in are furnished with each fixture. Do not rough in without certified dimensions. Dimensions are subject to manufacturer's tolerance of plus or minus 1/4" and change without notice. Acorn assumes no responsibility for use of void or superseded data. © Copyright 2007 Acorn Engineering Company</p>	
<p style="text-align: center;">Selection Summary</p> <p>Model No. & Option _____</p> <p>Quantity _____</p>	<p style="text-align: center;">Approved for Manufacturing</p> <p>Company _____ Title _____</p> <p>Signature _____ Date _____</p>