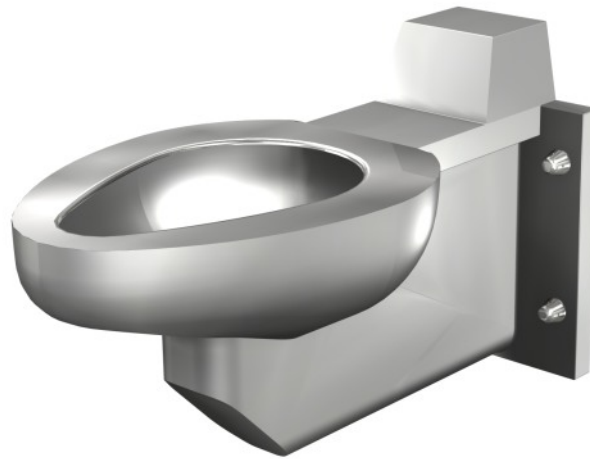




Replace-Ware® 3332 Series Siphon Jet Toilet - Off Floor Replacement



3333-W-1

Fixture May Show Some Available Options



Please visit www.acorneng.com for most current specifications.

Siphon Jet Toilet - Off Floor Replacement

This Siphon Jet Toilet is available for Front Mounting or Rear Mounting on a finished wall. Fixture is designed to replace a variety of existing toilets, including but not limited to the following manufacturers model numbers:

ALUMINUM PLUMBING FIXTURE CORP. (Super Secur): Waldapto A-304-2, Waldapto A-304

AMERICAN STANDARD: AFWall 2477, Glenco 2502, AFWall 2478, Glenco 2500.

CRANE: Walton 3-444, Placidus 3-446, Walton 3-448, Placidus 3-449.

ELJER: Auburn 111-0405, Walvortex 111-0455, Auburn 111-0425, Walvortex 111-0475.

KOHLER: Corwyn K-4400-ET, Kingston K-4430-ET, Corwyn K-4402-ER, Kingston K-4432-ER.

Toilet Bowls are fabricated from 14 gage, type 304 stainless steel and are seamless welded construction. Wall flange is structurally reinforced. Exterior is satin finish, with an integral contoured toilet seat. The inside of the toilet bowl has a matte finish. There are no accessible voids or crevices where contraband can be concealed.

Toilet is siphon jet type with elongated bowl manufactured to ASME A112.19.3 and CSA B45.4 standards. Toilet requires a minimum of 25 PSI flow pressure and uses a minimum water consumption of 1.28 GPF. Trap has a minimum 3-1/2" seal and will pass a 2-1/8" ball. Toilet waste outlet is a gasketed waste.

GUIDE SPECIFICATION

Provide and install Acorn Replace-Ware Siphon Jet Toilet (specify model number and options). Toilet bowl shall be fabricated from 14 gage, type 304 stainless steel. Construction shall be seamless welded and exposed surfaces shall have a satin finish. Toilet shall be concealed siphon jet type with an elongated bowl, a self-draining flushing rim and an integral contoured seat. Toilet shall be ASME A112.19.3 and CSA B45.4 compliant. Toilet requires a minimum of 25 PSI flow pressure and uses a minimum water consumption of 1.28 GPF. Toilet trap shall have a minimum 3-1/2" seal that shall pass a 2-1/8" diameter ball and be fully enclosed. No fasteners are provided.



Replace-Ware®: 3332 Siphon Jet Toilet - Off Floor Replacement

WALL THICKNESS AND TYPE (Must Specify)

Thickness: _____ Type: Concrete Block Steel

MODEL NUMBER AND OPTIONS SELECTION:

BASE MODEL NUMBER

- 3332 Siphon Jet Toilet (Rear Mounted Replacement)
- 3333 Siphon Jet Toilet (Front Mounted Replacement)

SUPPLY (Must Specify)

- T Top (Exposed)
- W Wall (Concealed)

FIXTURE MOUNTING AND WASTE

- 1 Off-Floor, Wall Outlet
- ADA 18" Integral Seat Height

FLUSH VALVE GPFs (Must Specify)

- 1.28 GPF
- 1.6 GPF (Not Available in California)
- 3.5 GPF (Not Available in California)

FLUSH VALVE OPTIONS (Must Specify)

***NOTE: FOR FLUSH VALVE ACCESS PANEL OR COVER REFER TO ACORN OPTIONS MODEL #2898 (-W SUPPLY) OR # 2802 (-T SUPPLY).**

- EVSFV Master-Trol® Electronic Flush Valve (N/A for Top Supply)
- FV Flush Valve, Mechanical (N/A for ADA)
- FVBO Flush Valve by Others
- FVH Flush Valve, Hydraulic (N/A for Top Supply)
- FVL Flush Valve, Lever Handle (Wall Supply)
- MTPFV Master-Trol® PLUS Electronic Flush Valve (N/A for Top Supply)
- MVCFV Time-Trol® Electronic Flush Valve (N/A for Top Supply)

TOILET SEAT OPTIONS

- HPS High Polish Integral Seat
- HS-OFLC Hinged Seat, Open Front Less Cover
- HS-OFWC Hinged Seat Open Front with Cover
- PFS Punched for Seat by Others

TOILET OPTIONS

- 3395 Anchoring Assembly
- BL Bedpan Lugs
- CI Cycle Interrupt for Time-Trol Valves
- CO1 Cleanout w/ O-Ring Connecting to No-Hub 4" (Plain End & Rear Mount Only)
- CO1-3 Cleanout w/ O-Ring Connecting to No-Hub 3" (Plain End & Rear Mount Only, N/A with -WO3B)
- COH Cleanout Hook Assembly (-PE & Rear Mount Only)
- FT Flood-Trol**
- FTA Flood-Trol Auto-Reset**
- FTE Flood-Trol Electronic**

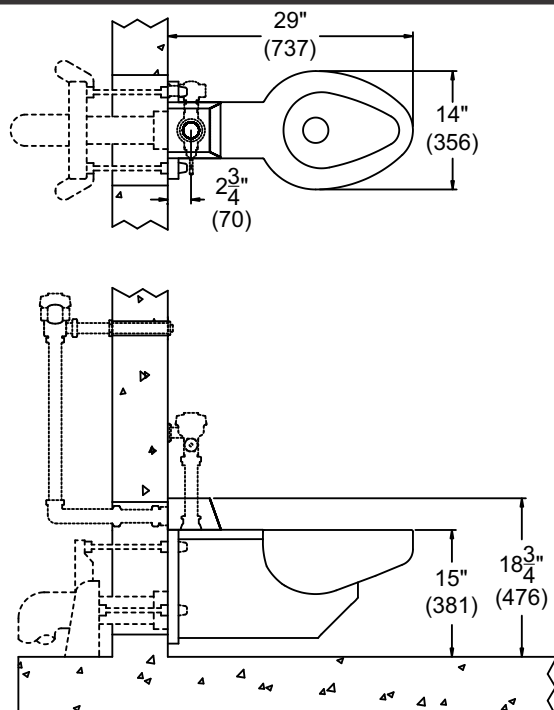
(NOTE: **Not available with Top Supply or 3333 Front Mount)

- FVT Flush Thru Wall Connector
- PC Pinned Cleanout Plug (-PE & Rear Mount Only)
- PE Plain End Waste (Only w/ Rear Mount)
- TF Transformer, 120VAC to 24VAC (-MVCFV option)
- TSC Toilet Shipping Cover
- TWE Toilet Waste Extension (-PE & Rear Mount Only) Specify Length Beyond Fixture: _____

PRODUCT OPTIONS

- BCN Blind Cap Nuts
- CN (4) Cap Nut (Front Mount Only)
- EGE Enviro-Glaze Color Specify: _____ Toilet Exterior Only

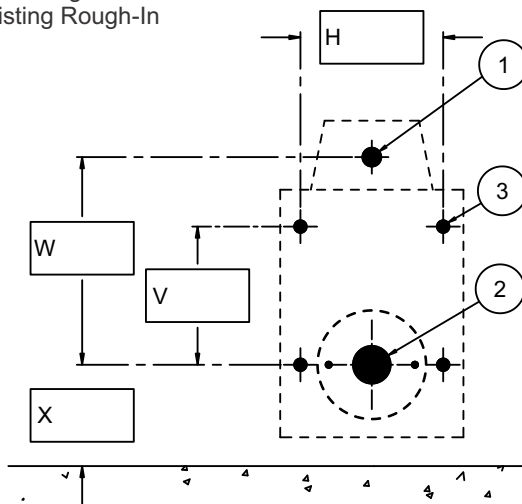
Please visit www.acorneng.com for most current specifications.



3333-T/W-1

NOTES:

1. Flushing Inlet
2. Toilet Waste Outlet
3. Four Mounting Points For Existing Rough-In



Rough-In View

WARNING: Cancer and Reproductive Harm - www.P65Warnings.ca.gov

<p>Important: Installation instructions and current rough-in are furnished with each fixture. Do not rough in without certified dimensions. <small>Dimensions are subject to manufacturer's tolerance of plus or minus 1/4" and change without notice. Acorn assumes no responsibility for use of void or superseded data. © Copyright 2009 Acorn Engineering Company</small></p>	
<p style="text-align: center;">Selection Summary</p> <p>Model No. & Option _____</p> <p>Quantity _____</p>	<p style="text-align: center;">Approved for Manufacturing</p> <p>Company _____ Title _____</p> <p>Signature _____ Date _____</p>