



Wash-Ware® 3350 Series

Retro-Pak - Replacement



Fixture May Show Some Available Options

Please visit www.acorneng.com for most current specifications.

Retro-Pak Replacement

The Acorn Retro-Pak has been designed to completely replace the operating mechanism on Bradley FC model Washfountains.

BRADLEY MODELS: AFC, BFC, HFC, OFC, CFC, CFC-B, CFC-H, CFC-O, KFC, KFC-B, KFC-H, KFC-O.*

The Acorn Retro-Pak replaces the sprayhead, soap dispensing system and valve assembly. The Retro-Pak sprayhead and stanchion assembly is fabricated entirely of type 304 stainless steel with a satin finish. Acorn's sprayhead is designed to contain the pushbuttons, individual spray nozzles and optional soap system. The sprayhead assembly is mounted to the existing bowl, using tie rods and supporting castings. Gasket for applicable bowl material is included.

The Valve Assembly, including the single handle ASSE 1070 compliant temperature pressure balancing mixing valve and the individual, non-hold open metering valves are arranged to be located within the existing pedestal. A mounting bracket is included to accommodate wall or floor mounting.

Valves are Air-Control pneumatically operated, pushbutton type using atmospheric air. Pushbutton is vandal-resistant and requires less than 5 pounds to activate valve. Valve is metering type with non-hold open feature. Timing is adjustable from 5 to 60 seconds.

Regularly furnished items include sprayhead, sprayhead stanchion, upper and lower support castings, tie rods, gasket, pressure balancing mixing valve, strainer checks, and Air-Control metering valves (one per washing station).

GUIDE SPECIFICATION

Provide and install Acorn Retro-Pak (specify model number and options) with individual Air-Control non-hold open metering valves and spray nozzles. Sprayhead and stanchion to be type 304 stainless steel with a satin finish.

* *These models are registered trademarks of Bradley Corporation.*



Wash-Ware®: 3350 Retro-Pak - Replacement

REPLACEMENT WASHFOUNTAIN DESCRIPTION (Must Specify)

Bowl Material: Terrazzo Bradstone Stainless Steel

Configurations: Round Semi-Circular Corner

Number of Users: 8 5* 4 3 2

Supplies: From Above From Below

Vent: Centrally Rising Off Drain

*Acorn supplies 6 individual washing stations for Bradley's 5 user model.

PRODUCT OPTIONS (Must Specify)

-DV Liquid / Lotion Soap Dispenser
 -PDM Metering Liquid Soap Dispenser
 -SC Supply Vent Cover
Ceiling Height: _____
 -ST Single Temperature Supply

MODEL NUMBER AND OPTIONS SELECTION:

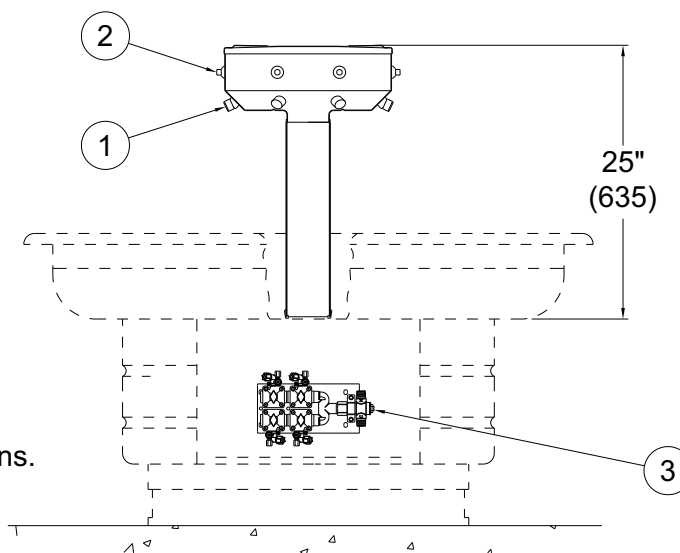
BASE MODEL NUMBER

3350 Retro-Pak (For Replacing Bradley FC Models)

OPERATION (Must Specify)

-H Hand Operation
 -SO Sensor Operation
 -SO-BAT Sensor Operated, Battery Powered (Batteries Not Included)

Please visit www.acorneng.com for most current specifications.



NOTES:

- 1. Spray Nozzles.
- 2. Valve Pushbuttons.
- 3. Valve Assembly.

AFC (Round)
FRONT VIEW
WITH ACORN RETRO-PAK

MODEL# 3350-H
Series

WARNING: Cancer and Reproductive Harm - www.P65Warnings.ca.gov

Important: Installation instructions and current rough-in are furnished with each fixture. Do not rough in without certified dimensions. Dimensions are subject to manufacturer's tolerance of plus or minus 1/4" and change without notice. Acorn assumes no responsibility for use of void or superseded data. © Copyright 2009 Acorn Engineering Company	
<p style="text-align: center;">Selection Summary</p> <p>Model No. & Option _____</p> <p>Quantity _____</p>	<p style="text-align: center;">Approved for Manufacturing</p> <p>Company _____ Title _____</p> <p>Signature _____ Date _____</p>