



Wash-Ware® 3612 Series

Acorn Terrazzo Corner-Lav - 2 Stations



3612-2-H

Fixture May Show Some Available Options

Please visit www.acorneng.com for most current specifications.

Acorn Terrazzo Corner-Lav - 2 Stations

Bowl and Sprayhead are reinforced cast Terrazzo. Bowl is 26-3/4" (679 mm.) wide, and has an integral backsplash and sprayhead. Bowl is finished with a clear polyurethane coating. Standard color is Palomino Tan. See available color selection.

Pedestal Housing features molded Terrazzo sides and a heavy gage, stainless steel, front access panel. Pedestal is structurally reinforced.

Sectional Control is standard. One pushbutton or sensor (specify) actuates one station.

Hand Pushbuttons (suffix option -H) operate individual non-hold open, Air-Controlled metering valves and can be field set for flow ranging from 5 to 60 seconds. Pushbutton requires less than 5 pounds to activate valve.

Electronic Sensor Operation (suffix option -SO) includes individual solenoid valves activated by infrared sensors. A plug-in style transformer is provided.

Foot Pushbuttons are not available on this model.

Spray Nozzles are vandal-resistant and provide a concentrated 0.5 GPM spray at each station.

Hot & Cold Supplies are blended in an ASSE 1070 compliant temperature/pressure balancing mixing valve with integral checks and strainers. A minimum of 30 PSI supply pressure is required.

GUIDE SPECIFICATION

Provide and install an Acorn Terrazzo Corner-Lav (specify model number and options). Bowl shall be reinforced cast Terrazzo polished and sealed with a clear polyurethane coating, and shall have an integral backsplash and sprayhead. Spray nozzles shall be vandal-resistant type with 0.5 GPM flow controls. Provide an ASSE 1070 compliant temperature/pressure balancing mixing valve with integral checks and strainers in hot and cold supply and field set water temperature at 105 degrees Fahrenheit. Terrazzo Corner-Lav shall be supplied with mounting angles and bracket for anchoring to the wall as recommended by manufacturer.



Wash-Ware®: 3612 Acorn Terrazzo Corner-Lav - 2 Stations

MODEL NUMBER AND OPTIONS SELECTION

BASE MODEL NUMBER (Must Specify)

3612 On-Floor, 2 Station Corner-Lav

FIXTURE MOUNTING AND WASTE (Must Specify)

-2 On-Floor, Wall Outlet

OPERATION (Must Specify)

- H Hand Operation
- PPZ Programmable Piezo Pushbutton Electronics Metering
- SO Sensor Operation
- SO-BAT Sensor Operation (Batteries Not Included)

SUPPLY AND VENT

Not applicable to this model.

PRODUCT OPTIONS (Must Specify)

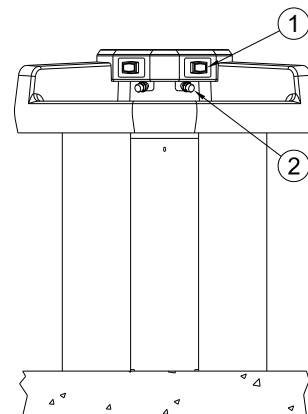
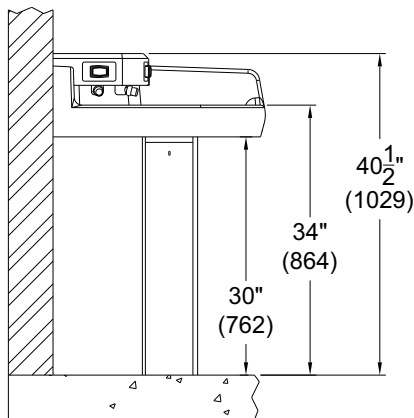
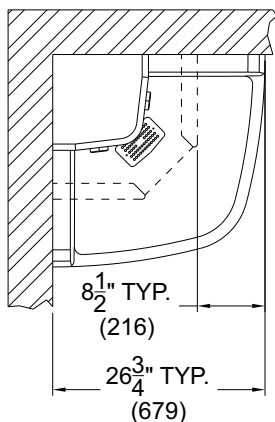
- JH31 31" Junior Rim Height
- OCT Optional Terrazzo Colors, Specify: _____

(For available colors refer to:

<https://www.acorneng.com/terrazzo-colors>

- PDM Metering Liquid Soap Dispenser
- ST Single Temperature Valve

Please visit www.acorneng.com for most current specifications.



MODEL# 3612-2-H

NOTES:

1. -H Pushbutton.
2. Spray Nozzle.

WARNING: Cancer and Reproductive Harm - www.P65Warnings.ca.gov

Important: Installation instructions and current rough-in are furnished with each fixture. Do not rough in without certified dimensions. Dimensions are subject to manufacturer's tolerance of plus or minus 1/4" and change without notice. Acorn assumes no responsibility for use of void or superseded data. © Copyright 2006 Acorn Engineering Company

<p>Selection Summary</p> <p>Model No. & Option _____</p> <p>Quantity _____</p>	<p>Approved for Manufacturing</p> <p>Company _____ Title _____</p> <p>Signature _____ Date _____</p>
--	--