



## Wash-Ware® 3613 Series

Acorn Terrazzo Corner-Lav - 3 Stations



3613-2

Fixture May Show Some Available Options

Please visit [www.acorneng.com](http://www.acorneng.com) for most current specifications.

### Acorn Terrazzo Corner-Lav - 3 Stations

**Bowl and Sprayhead** are reinforced cast Terrazzo. Bowl is 37" (940 mm.) wide, and has an integral backsplash and sprayhead. Bowl is finished with a clear polyurethane coating. Standard color is Palomino Tan. See available color selection.

**Pedestal Housing** features molded Terrazzo sides and a heavy gage, stainless steel, front access panel. Pedestal is structurally reinforced.

**Sectional Control** is standard. One pushbutton or sensor (specify) actuates one station.

**Hand Pushbuttons** (suffix option -H) operate individual non-hold open, Air-Controlled metering valves and can be field set for flow ranging from 5 to 60 seconds. Pushbutton requires less than 5 pounds to activate valve.

**Electronic Sensor Operation** (suffix option -SO) includes individual solenoid valves activated by infrared sensors. A plug-in transformer is provided.

**Foot Pushbuttons** are not available on this model.

**Spray Nozzles** are vandal-resistant and provide a concentrated 0.5 GPM spray at each station.

**Hot & Cold Supplies** are blended in an ASSE 1070 compliant temperature/pressure balancing mixing valve with integral checks and strainers. A minimum of 30 PSI supply pressure is required.

### GUIDE SPECIFICATION

Provide and install an Acorn Three Person Terrazzo Corner-Lav (specify model number and options). Bowl shall be reinforced cast Terrazzo polished and sealed with a clear polyurethane coating and shall have an integral backsplash and sprayhead. Spray nozzles shall be vandal-resistant type with 0.5 GPM flow controls. Provide an ASSE 1070 compliant temperature/pressure balancing mixing valve with integral checks and strainers in hot and cold supply and field set water temperature at 105 degrees Fahrenheit. Terrazzo Corner-Lav shall be supplied with mounting angles and bracket for anchoring to the wall as recommended by the manufacturer.



# Wash-Ware®: 3613 Acorn Terrazzo Corner-Lav - 3 Stations

## MODEL NUMBER AND OPTIONS SELECTION

### BASE MODEL NUMBER (Must Specify)

3613 On-Floor, Terrazzo 3 Station Corner-Lav

### FIXTURE MOUNTING AND WASTE (Must Specify)

-2 On-Floor, Wall Outlet

### OPERATION (Must Specify)

- H Hand Operation
- PPZ Programmable Piezo Pushbutton Electronic Metering
- SO Sensor Operation
- SO-BAT Sensor Operation (Batteries Not Included)

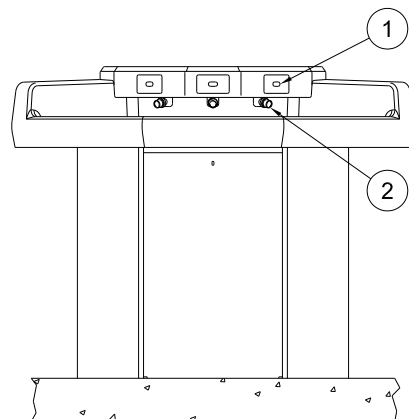
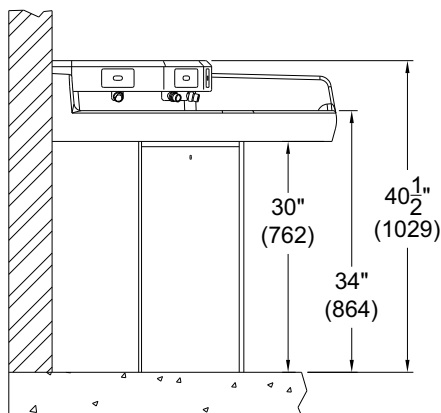
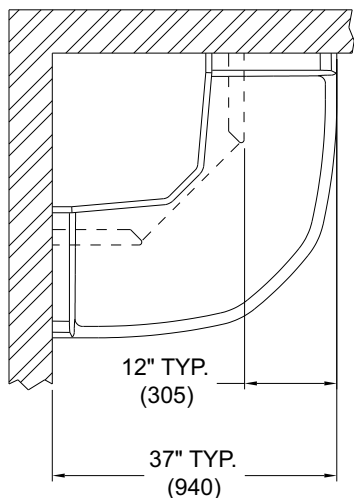
### SUPPLY AND VENT

Not applicable to this model.

### TERRAZZO® OPTIONS (Must Specify)

- JH31 31" Junior Rim Height
- OCT Optional Terrazzo Colors, Specify: \_\_\_\_\_  
(Refer to: <https://www.acorneng.com/terrazzo-colors>)
- PDM Metering Liquid Soap Dispenser
- ST Single Temperature Valve

Please visit [www.acorneng.com](http://www.acorneng.com) for most current specifications.



MODEL# 3613-2-SO

### NOTES:

- 1. -SO Sensor.
- 2. Spray Nozzle.

**WARNING:** Cancer and Reproductive Harm - [www.P65Warnings.ca.gov](http://www.P65Warnings.ca.gov)

<p><b>Important:</b> Installation instructions and current rough-in are furnished with each fixture. Do not rough in without certified dimensions.  <small>Dimensions are subject to manufacturer's tolerance of plus or minus 1/4" and change without notice. Acorn assumes no responsibility for use of void or superseded data. © Copyright 2006 Acorn Engineering Company</small></p>	
<p style="text-align: center;">Selection Summary</p> <p>Model No. &amp; Option _____</p> <p>Quantity _____</p>	<p style="text-align: center;">Approved for Manufacturing</p> <p>Company _____ Title _____</p> <p>Signature _____ Date _____</p>