



Wash-Ware® 3622 Series

Corterra® Corner-Lav - 2-Station



3622-2-SO-OCC01A



3622-2-SO-OCC50



Fixtures May Show Some Available Options



Please visit www.acorneng.com for most current specifications.

Corterra® Corner-Lav - Two Station

Bowl, Sprayhead and Pedestal Side Panels are constructed of Corterra® solid surface polymer resin. See options for available color selections. Bowl is 26-3/4" x 26-3/4" and includes Backsplash and Sprayhead. Sprayhead includes Access Cover and vandal-resistant Spray Nozzles. Bowl includes Grid Strainer and Tailpiece. Pedestal Housing features Corterra® Side Panels and a heavy gage, stainless steel front Access Panel with vandal-resistant fasteners. **NOTE: NOT RECOMMENDED FOR OUTDOOR INSTALLATION.**

Sectional Control is standard. One Pushbutton or Sensor (specify) actuates one station.

Hand Pushbuttons (suffix option -H) operate individual non-hold open, Air-Controlled Metering Valves and can be field set for flow ranging from 5 to 60 seconds. Pushbutton requires less than 5 pounds of force to activate Valve.

Electronic Sensor Operation (suffix option -SO) includes individual Solenoid Valves activated by infrared Sensors. A plug-in style Transformer is provided.

Foot Pushbuttons are not available on this model.

Spray Nozzles are vandal-resistant and provide a concentrated spray of 0.5 GPM at each station.

Hot & Cold Supply are blended in an ASSE 1070 Compliant Temperature/Pressure Balancing Mixing Valve with integral Checks and Strainers. A minimum of 30 PSI supply pressure is required.

Unit Certification complies with IAPMO IGC 156, CSA B45 Series, ASME A112.18.1/CSA B125.1

Material Certification: Corterra® physical properties are in compliance with CSA B45.5/IAPMO Z124 and ANSI/ISCPA SS-1 and is GREENGUARD Gold certified.

GUIDE SPECIFICATION

Provide and install Corterra® Corner-Lav Washfountain (specify model number and options). Bowl, Sprayhead and Pedestal Side Panels to be constructed of Corterra® solid surface polymer resin. Provide an ASSE 1070 Compliant Temperature Pressure Balancing Mixing Valve with Integral Checks and Strainers in hot and cold supply and field set water temperature at 105 degrees Fahrenheit. Provide Grid Strainer and Waste Tailpiece. Operation (specify): Provide individual Solenoid Valves activated by infrared Sensors with plug-in Transformer. Spray Nozzles shall be vandal-resistant with 0.5 GPM flow controls.

Wash-Ware® 3622: Corterra® Corner-Lav - Two Stations



MODEL NUMBER AND OPTIONS SELECTION:

BASE MODEL NUMBER (Must Specify)

3622 Corterra® Two Station Corner-Lav

FIXTURE MOUNTING AND WASTE (Must Specify)

- 1 Off-Floor, Wall Outlet
- 2 On-Floor, Wall Outlet

OPERATION (Must Specify)

- H Hand Operation
- PPZ Programmable Piezo Button Electronic Metering
- SO Sensor Operation
- SO-BAT Sensor Operation, Battery Powered (Batteries Not Included)

CORTERRA® COLOR OPTIONS (Must Specify)

Color: _____
 (Refer to <https://www.acorneng.com/corterra-solid-surface> for available colors)

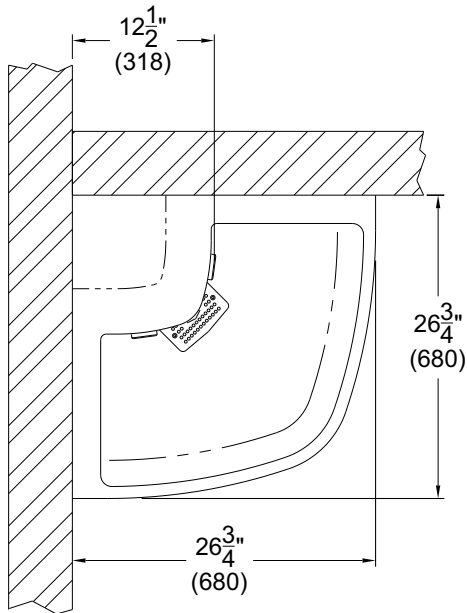
PRODUCT OPTIONS

- JH31 31" Junior Rim Height
- PDM Metering Liquid Soap Dispenser
- ST Single Temperature Supply

SUPPLY AND VENT

Not applicable to this model.

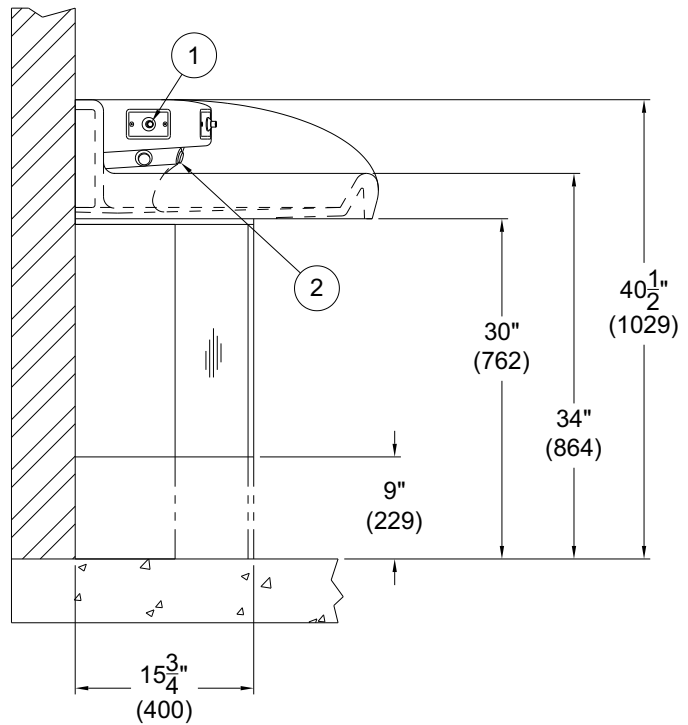
Please visit www.acorneng.com for most current specifications.



MODEL #3622-2-H

NOTES:

- 1. -H Pushbutton
- 2. Spray Nozzle



WARNING: Cancer and Reproductive Harm - www.P65Warnings.ca.gov

Important: Installation instructions and current rough-in are furnished with each fixture. Do not rough in without certified dimensions. <small>Dimensions are subject to manufacturer's tolerance of plus or minus 1/4" and change without notice. Acorn assumes no responsibility for use of void or superseded data. © Copyright 2009 Acorn Engineering Company</small>	
<p style="text-align: center;">Selection Summary</p> <p>Model No. & Option _____</p> <p>Quantity _____</p>	<p style="text-align: center;">Approved for Manufacturing</p> <p>Company _____ Title _____</p> <p>Signature _____ Date _____</p>