



Meridian® 3714 Series

Meridian® Stainless Steel Straight Front Quad-Basin - ADA Compliant



3714-1-H

Fixture May Show Some Available Options

Please visit www.acorneng.com for most current specifications.

Meridian® Stainless Steel Straight Front Quad-Basin - ADA Compliant

Meridian® Stainless Steel Straight Front Quad-Basins are engineered to combine the look and feel of commercial-grade designer Basins and Countertops with the durability and economy of group fixtures. Each standard height Washbasin complies with ANSI, UFAS and ADA requirements. Compliance is subject to the interpretation and requirements of the local code authority.

Housing is heavy gage, type 304 stainless steel and is polished to a satin finish. Countertop, Backsplash, and Housing feature fully welded, seamless corners.

Integral Basins are of a round design, (15-3/4" diameter x 5" deep) and includes a satin finish. Basins include Grid Strainers, Waste piping, and 1-1/2" P-Trap.

-H Hand Operation includes Backsplash mounted Pushbuttons and stainless steel tubular Spouts with 0.5 GPM flow control. Pushbutton Air-Control actuation provides adjustable metering up to 60 seconds.

-SO Sensor Operation includes infrared Sensor actuated, deck mounted stainless steel tubular Spouts with 0.5 GPM flow control. Sensors / Solenoids are powered by a plug-in Transformer provided and each sensor actuates an individual solenoid Valve.

Mixing Valve delivers tempered water flow by compensating for pressure and temperature fluctuations and is ASSE 1070 compliant. Valve is to be field set to 105° Fahrenheit and includes Strainers and integral Checks. Operating range is 30 to 100 PSI.

Off-Floor Models include a P-Trap Enclosure to conceal hot and cold Mixing Valve assembly and P-Trap. Enclosure is fabricated of heavy gage, type 304 stainless steel with a satin finish. Wall requires adequate backing to support Washbasin.

On-Floor Models include a Pedestal Base with stainless steel Frame, stainless steel Scuff Panel and black vinylclad, galvanized steel Enclosure. Enclosure conceals Valve, Piping, Supply and Waste connections. Pedestal Base is wall mounted and supported on-floor. An enclosed bottom (- EB) is provided standard for on-floor models.

-PDM Pump Type Soap Dispenser is optionally available for liquid and lotion type soaps. Dispenser is deck mounted with an under-the-counter Reservoir and top refill feature for ease of maintenance.

GUIDE SPECIFICATION

Meridian® Stainless Steel Straight Front Four-Person Washbasin by Acorn (Specify model number and options). Unit with 34" standard height rim to conform with ANSI, UFAS and ADA Accessibility Standards. Washbasin to include (4) integral round Basins (15-3/4" diameter x 5" deep). Basins, Countertop, Backsplash, Apron and P-Trap Enclosure to be constructed of heavy gage, type 304 stainless steel with satin finish. Operation: (Specify) Provide Pushbutton actuated Air-Control metering Valve with Backsplash mounted stainless steel tubular Spout. Washbasin to be furnished complete with the following: ASSE 1070 compliant temperature / pressure balancing Mixing Valve with Strainers and integral Checks, and 1-1/2" P-Trap waste outlet.

Meridian® 3714: Meridian® Stainless Steel Straight Front Quad-Basin - ADA Compliant



BASE MODEL NUMBER (Must Specify)

- 3714 Meridian® Stainless Steel Straight Front Quad-Basin

FIXTURE MOUNTING & WASTE (Must Specify)

- 1 Off-Floor, Wall Outlet
- 2 On-Floor, Wall Outlet

OPERATION (Must Specify)

- 9 Punching for Valves & Spout by Others (Specify -RLD or -TZ)
- CSG 4" Centerset Faucet with Gooseneck Spout & Wrist Blade Handles includes -H34. Specify -RLD or -TZ
- H Hand Operation Backsplash Mounted Spout Standard
- PPZ Programmable Piezo Pushbutton Electronic Metering Backsplash Mounted Spout Standard
- SO Sensor Operation, Deck Mounted Spouts, Must Specify Below
- SO-BAT Sensor Operation, Battery Powered Deck Mounted Spouts, Must Specify Below (Batteries Not Included)

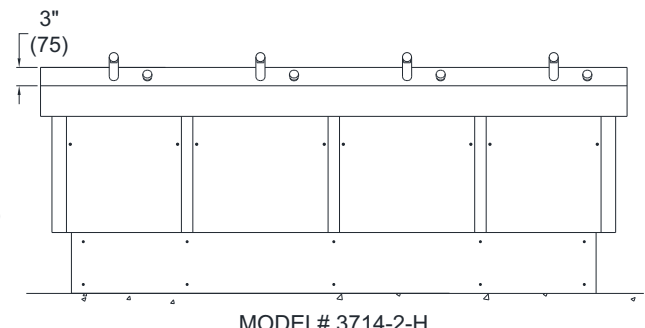
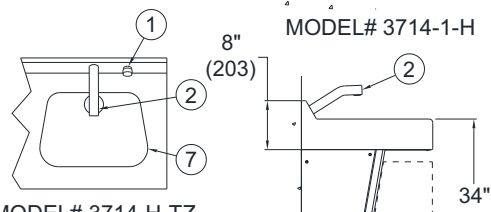
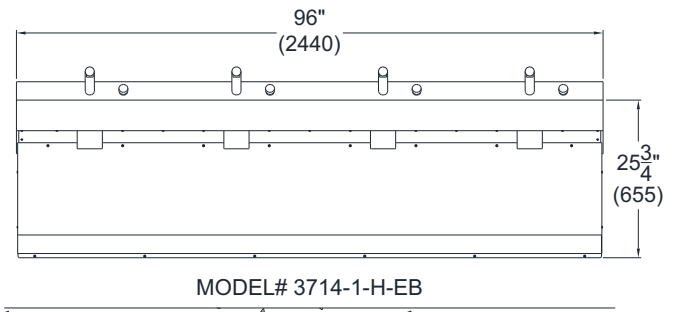
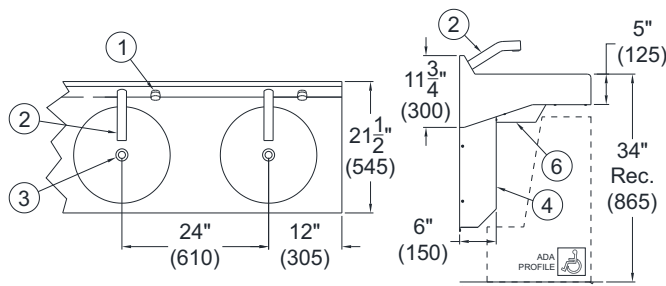
PRODUCT OPTIONS (Must Specify)

- DMJ Deck Mounted 'J' Spout
- DML Deck Mounted 'L' Spout
- DMP Deck Mounted Pushbutton
- EB Enclosed Bottom (Not Available w/ -SSN)
- ECL Extended Countertop - Left Hand, Specify ____ (120" maximum overall width)
- ECR Extended Countertop - Right Hand, Specify ____ (120" maximum overall width)

PRODUCT OPTIONS (cont.)

- EG Enviro-Glaze (Cabinet/Counter) Color: _____ Refer to link for colors: <https://www.acorneng.com/enviro-glaze>
- JH 31" Junior Rim Height (**Not ADA Compliant**)
- LE Less Trap Enclosure
- ME Marine Edge
- OF Basin Overflow
- PDM Metering Liquid Soap Dispenser
- RLD "D" Shaped Basin (Must specify Punching for -9, Valve by Others)
 - H1 Single Hole Centered
 - H24 Two Holes, 4" Centerset
 - H34 Three Holes, 4" Centerset
 - H38 Three Holes, 8" Centerset
- SLE Sloped Front Enclosure (-1 Models Only) (Must specify)
 - VP_B Black Vinylclad (Standard)
 - SPX Stainless Steel
- SPX 16 Gage Stainless Steel Enclosure
- SSN 2-1/2" Stainless Steel Narrow Apron (-1 Off-Floor Models Only)
- ST Single Temperature Valve
- TZ Trapezoidal Basin (Must specify Punching for -9, Valve by Others)
 - H1 Single Hole Centered
 - H24 Two Holes, 4" Centerset
 - H34 Three Holes, 4" Centerset
 - H38 Three Holes, 8" Centerset

Please visit www.acorneng.com for most current specifications.



NOTES:

1. Backsplash Pushbutton.
2. Backsplash Mounted Spout.
3. Grid Strainer with Close Elbow.
4. Trap Enclosure.
5. On-Floor, Toe-Kick, Pedestal.
6. Optional -EB Enclosed Bottom.
7. Optional -TZ Trapezoidal Basin.

WARNING: Cancer and Reproductive Harm - www.P65Warnings.ca.gov

<p>Important: Installation instructions and current rough-in are furnished with each fixture. Do not rough in without certified dimensions. Dimensions are subject to manufacturer's tolerance of plus or minus 1/4" and change without notice. Acorn assumes no responsibility for use of void or superseded data. © Copyright 2009 Acorn Engineering Company</p>	
<p style="text-align: center;">Selection Summary</p> <p>Model No. & Option _____</p> <p>Quantity _____</p>	<p style="text-align: center;">Approved for Manufacturing</p> <p>Company _____ Title _____</p> <p>Signature _____ Date _____</p>