



Shower-Ware® 410BADA Series

Apex Type 1 Flush Mounted Showers - ADA Compliant



418BADA-W w/ 1108-3

US PATENTS - US 10,474,170 B2 & US D697,591

CONTROLS
INSIDE

Please visit www.acorneng.com for most current specifications.

Apex Type 1 Flush Mounted Showers - ADA Compliant

Shower includes an ADA compliant Control Valve with Patented Ligature Resistant ADA Compliant Tri-Lever Handle (Standard with T/P Valve only), Lever Handle or Pushbutton, a Quick-Disconnect Handheld Shower with On/Off Pushbutton, Vacuum Breaker and flow control, valve supply flexible Hose connectors and a surface mounted Soap Dish. Unit conforms with ANSI, UFAS and ADA requirements for accessibility. Compliance is subject to the interpretation and requirements of the local code authority. Folding seat and grab bar not included.

Shower Panel is 18 gage, type 304 stainless steel with satin finish.

Reach. All Controls must be 38" to 48" from the finished floor to be within reach of a seated bather with limited arm movement.

Showerhead. A Handheld Shower with On/Off Pushbutton, 60" Hose, Quick-Disconnect and 1.5 GPM Flow Control is provided. Shower Panel has one low Mounting Bracket and one high Mounting Bracket for using Handheld Shower as a Fixed Head in either position.

Specifier / Installer: Ensure Mounting Frame Plaster Flanges are coordinated with Wall Type and construction details. Mounting Frames are optionally available Less Plaster Flanges (-LPF) when required to suit site conditions. Refer to Installation Instructions for complete details.

Valves. Disabled bathers should be provided with protection against sudden hot or cold "shock". The Thermostatic/Pressure Balancing Mixing Valve is ASSE 1016 compliant and delivers constant water flow by compensating for temperature and pressure fluctuations. Mixing T/P Valves are often required and strongly recommended. Indicate Valve by selection of appropriate Shower-Ware® figure numbers.

Seat and Privacy Compartments. Disabled bathers understandably should be given privacy while bathing. In addition, transfer type Stalls include the requirement to provide a Seat opposite the Controls. This suggests constructing an alcove, partial wall or providing a reinforced privacy Panel (suffix option -RP) for mounting the optionally available Seat.

Fasteners. Acorn furnishes all exposed tamper-resistant fasteners necessary to complete the on-site shower assembly; however, concealed wall fasteners or Anchor Shields are not furnished.

GUIDE SPECIFICATION

Provide and install Acorn Apex Flush Mounted, ADA Compliant Wall Shower with Hi-Lo Mounting Brackets (specify model number and options). Shower panel shall be fabricated from 18 gage, type 304 stainless steel and shall have a satin finish. Exposed trim shall be chrome-plated brass. Fixture shall be furnished with an ADA compliant Control Valve with Patented ADA Compliant Tri-Lever Handle, Lever Handle or Pushbutton, Quick-Disconnect Handheld Shower with On/Off Pushbutton, Vacuum Breaker and Flow Control, valve supply flexible Hose connectors and a surface mounted Soap Dish. Units to conform with ANSI, UFAS and ADA requirements for accessibility. Installation shall be made in accordance with manufacturer's recommendations and details. Folding seat and grab bar not included, refer to 1103 and 1108 series.

Page 1 S.410B-ADA

Revised: 04/17/2024

Shower-Ware®: 410BADA Apex Type 1 Flush Mounted Showers - ADA Compliant



MODEL NUMBER AND OPTIONS SELECTION

SERIES

-4 Apex

TYPE

-1 Flush Mounted ADA Shower

VALVE SELECTION (Must Specify)

- 0 Electronic Valves, Single Temp. Metering (Must Specify Type Where Indicated Below)
- 6 Air-Control, Single Temperature Metering
- 8 T/P Temperature-Pressure Balancing Mixing Valve With Patented Ligature Resistant ADA Tri-Lever Handle (ASSE 1016 Compliant)

SUPPLY

-W Wall

ELECTRONIC VALVE SELECTION

Master-Trol® (Electronic)

- EVS1 Single Temp
- EVSP1 Single Temp, Piezo Button

Master-Trol® PLUS (Electronic)

- MTP1 Single Temp
- MTPP1 Single Temp, Piezo Button

Time-Trol® (Electronic)

- MVC1 Single Temp

Programmable (Electronic) w/9VDC Plug-In Transformer

- PPZ1 Single Temp Programmable Piezo Button

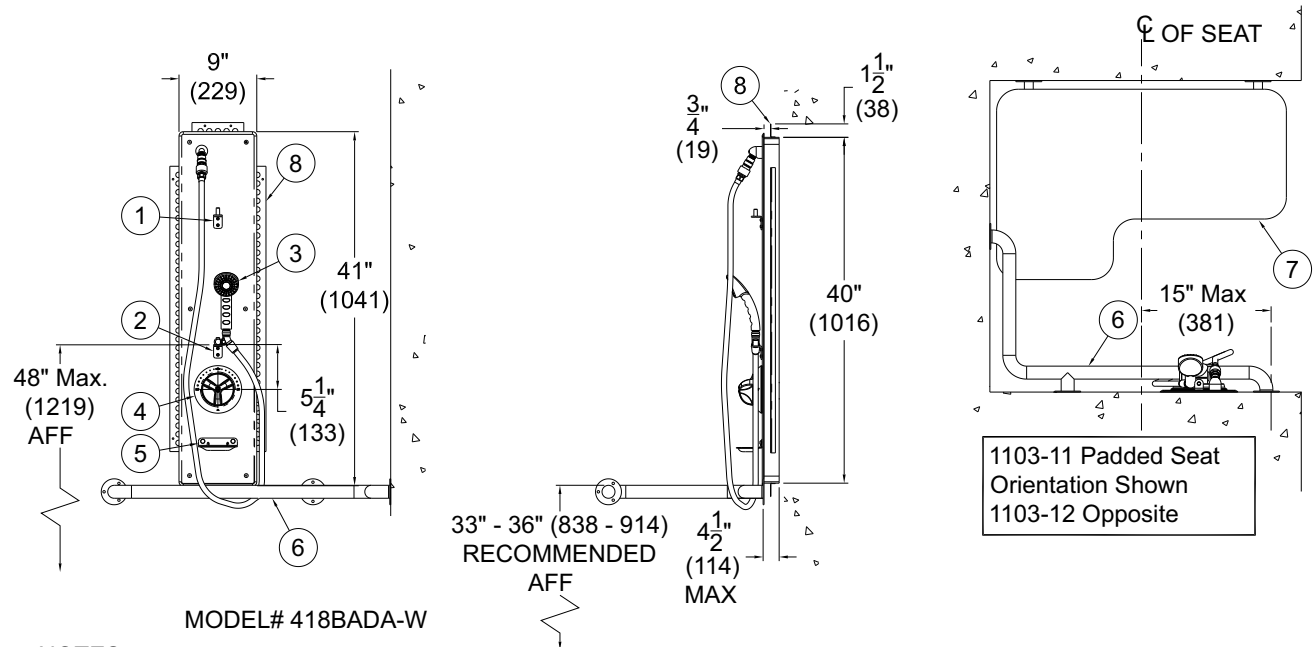
VALVE OPTIONS

- CI Cycle Interrupt for Time-Trol Valves
- LVR Lever Handle (-8 Valve only)
- MV Metering Valve in Riser (Air-Control)
- PBH Hemispherical Pushbutton (-6 Valve or -MV)
- TF Transformer, 120VAC to 24VAC (-MVC option only)

PRODUCT OPTIONS

- BS Built-in Liquid Soap System (Not ADA Compliant)
- EG Enviro-Glaze, Specify Color: _____
- LPF Less Plaster Flange on Mounting Frame
- PSO Positive Shut-Off for Quick-Disconnect
- RD Recessed Soap Dish

Please visit www.acorneng.com for most current specifications.



MODEL# 418BADA-W

NOTES:

1. Top Mounting Bracket
2. ADA Mounting Bracket
3. Handheld Shower with 60" Hose
4. T/P Valve w/ Standard Patented Tri-Lever Handle

5. Surface Mounted Soap Dish Provided Standard
6. 1108-3 Two-Wall Grab Bar, Shown For Reference Only
7. 1103-11 Padded Seat, Shown For Reference Only
8. Wall Mounting Frame With Plaster Flange

WARNING: Cancer and Reproductive Harm - www.P65Warnings.ca.gov

<p>Important: Installation instructions and current rough-in are furnished with each fixture. Do not rough in without certified dimensions. Dimensions are subject to manufacturer's tolerance of plus or minus 1/4" and change without notice. Acorn assumes no responsibility for use of void or superseded data. © Copyright 2008 Acorn Engineering Company</p>	
<p style="text-align: center;">Selection Summary</p> <p>Model No. & Option _____</p> <p>Quantity _____</p>	<p style="text-align: center;">Approved for Manufacturing</p> <p>Company _____ Title _____</p> <p>Signature _____ Date _____</p>