



## Shower-Ware® 410BADAWH Series

Apex Type 1 Flush Mounted Showers - ADA Compliant - Wide Housing



418BADAWH-W-RH-LFS



- Patented D697,591
- © Acorn Engineering Co. Fixture May Show Some Available Options



CSH-WSA Showerhead is EPA WaterSense Certified

Please visit [www.acorneng.com](http://www.acorneng.com) for most current specifications.

### Apex Type 1 Flush Mounted Showers - ADA Compliant - Wide Housing

**Shower** includes an ADA Compliant Control Valve with a Patented Ligature Resistant ADA Compliant Tri-Lever Handle (Standard with T/P valve only), Lever Handle or Pushbutton, a Conventional Fixed Upper Showerhead, a Diverter Valve with a Patented Ligature Resistant ADA Compliant Tri-Lever Handle (Standard with T/P valve only) or Lever Handle, a Quick-Disconnect Handheld Shower with On/Off Pushbutton, Vacuum Breaker and Flow Control, valve supply flexible Hose connectors, a Recessed Soap Dish, a two-wall stainless steel Grab Bar, a 1103 series padded vinyl Folding Seat and a curtain with headrail for a 36" opening. Unit conforms with ANSI, UFAS and ADA requirements for accessibility. Compliance is subject to the interpretation and requirements of the local code authority.

**Shower Panel** is 18 gage, type 304 stainless steel with satin finish.

**Reach.** All Controls must be 38" to 48" from the finished floor to be within reach of a seated Bather with limited arm movement.

**Showerheads.** A Handheld Shower with On/Off Pushbutton, 60" Hose, Quick-Disconnect and 1.5 GPM Flow Control is provided. A conventional Fixed Showerhead is also provided at 6'-0" discharge height. Showerhead is solid brass, triple chrome-plated and includes a built-in 1.6 GPM Flow Restrictor. The Acorn Logan Wizard Showerhead design provides self-cleaning with every use and has an adjustable spray pattern from coarse stream to a fine mist.

**Valves.** Disabled Bathers should be provided with protection against sudden hot or cold "shock". The Thermostatic/Pressure Balancing Mixing Valve is ASSE 1016 compliant and delivers constant water flow by compensating for temperature and pressure fluctuations. Mixing T/P Valves are often required and strongly recommended. Indicate Valve by selection of appropriate Shower-Ware® figure numbers.

**Seat and Privacy Compartments.** Disabled Bathers understandably should be given privacy while bathing. In addition, transfer type Stalls include the requirement to provide a Seat opposite the Controls. This suggests constructing an alcove, partial wall or providing a reinforced Privacy Panel for mounting the Seat (suffix option -RP).

**Fasteners.** Acorn furnishes all exposed tamper-resistant fasteners necessary to complete the on-site Shower assembly; however, concealed wall fasteners or Anchor Shields are not furnished.

**Specifier / Installer:** Ensure Mounting Frame Plaster Flanges are coordinated with Wall type and construction details. Mounting Frames are optionally available Less Plaster Flanges (-LPF) when required to suit site conditions. Refer to Installation Instructions for complete details.

#### GUIDE SPECIFICATION

Provide and install Acorn Apex Flush-Mounted, ADA Compliant Wall Shower with Wide Housing (specify model number and options). Shower Panel shall be fabricated from 18 gage, type 304 stainless steel and shall have a satin finish. Exposed trim shall be chrome-plated brass. Fixture shall be furnished with an ADA Compliant Control Valve with a Patented Ligature Resistant ADA Compliant Tri-Lever Handle, Lever Handle or Pushbutton, a Conventional fixed upper Showerhead, a Diverter Valve with a Patented Ligature Resistant ADA Compliant Tri-Lever Handle or Lever Handle, a Quick-Disconnect Handheld Shower with On/Off Pushbutton, Vacuum Breaker and Flow Control, valve supply flexible Hose connectors, a Recessed Soap Dish, a two-wall stainless steel Grab Bar, a 1103 series padded vinyl Folding Seat and a Curtain and Headrail for a 36" opening. Units to conform with ANSI, UFAS and ADA requirements for accessibility. Installation shall be made in accordance with manufacturer's recommendations and details.

# Shower-Ware®: 410BADAWH Apex Type 1 Flush Mounted Showers - ADA Compliant - Wide Housing



## MODEL NUMBER AND OPTIONS SELECTION

### SERIES

4 Apex

### TYPE

-1 Flush Mounted ADA Shower with Wide Housing

### VALVE SELECTION (Must Specify)

- 0 Electronic Valves, Single Temp Metering (Must Specify Type Where Indicated Below)
- 6 Air-Control, Single Temp Metering
- 8 T/P Temperature-Pressure Balancing Mixing Valve With Patented Ligature Resistant ADA Tri-Lever Handle (ASSE 1016 Compliant)

### SUPPLY

-W Wall

### VALVE ORIENTATION (Must Specify)

-L Left  -R Right

### ELECTRONIC VALVE SELECTION

#### Master-Trol® (Electronic)

- EVS1 Single Temp
- EVSP1 Single Temp, Piezo Button

#### Master-Trol® PLUS (Electronic)

- MTP1 Single Temp
- MTPP1 Single Temp, Piezo Button

#### Time-Trol® (Electronic)

- MVC1 Single Temp

#### Programmable (Electronic) w/9VDC Plug-In Transformer

- PPZ1 Single Temp Programmable Piezo Button

### VALVE OPTIONS

- CI Cycle Interrupt for Time-Trol Valves
- LVR Lever Handle (-8 Valve & Diverter)
- MV Metering Valve in Riser (Air-Control)
- PBH Hemispherical Pushbutton (-6 Valve or -MV)
- TF Transformer, 120VAC to 24VAC (-MVC option only)

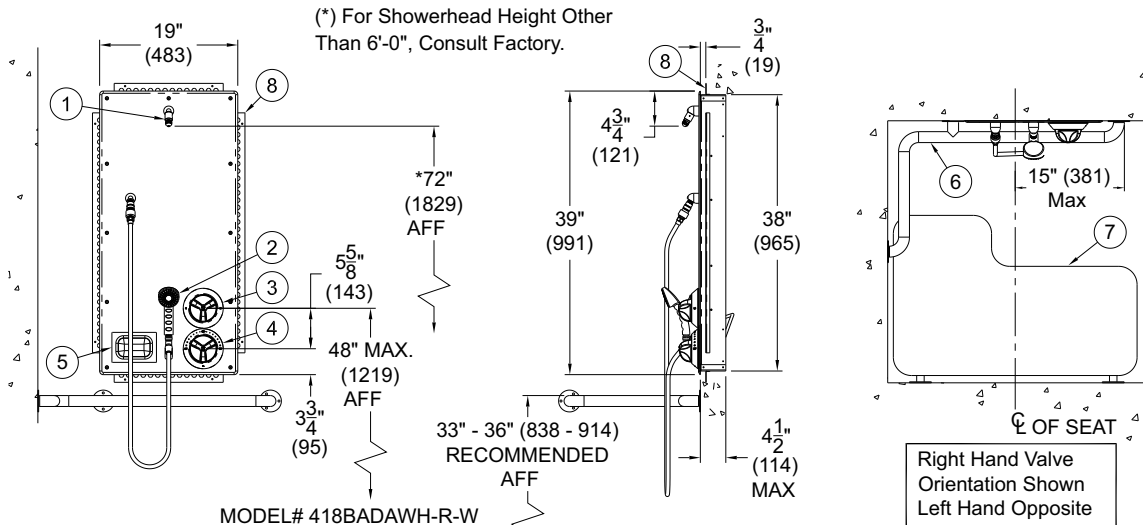
### SHOWERHEAD OPTIONS

- CSH Conical Showerhead (Ligature Resistant)
- CSH-WSA WaterSense 1.5 GPM Conical Showerhead (Ligature Resistant)
- F Flow Control
  - 2.0 GPM (Not Available For Use in California)
- FH Fixed Head at 48" in Lieu of Handheld Shower
- MSH Multi-Stream Showerhead
- P Penal Showerhead
- PSO Positive Shut-Off For Quick-Disconnect
- Y Universal Ball Joint
- YY Lockable Universal Ball Joint

### PRODUCT OPTIONS

- BS Built-in Liquid Soap System (Not ADA Compliant)
- D Surface Mounted Soap Dish
- EG Enviro-Glaze, Specify Color: \_\_\_\_\_
- FSP Phenolic Folding Seat in Lieu of Padded Seat
- FSS Stainless Steel Folding Seat in Lieu of Padded Seat
- LCH Less Curtain with Headrail
- LFS Less Padded Folding Seat
- LGB Less Grab Bar
- LPF Less Plaster Flange on Mounting Frame
- LRD Less Recessed Soap Dish

Please visit [www.acorneng.com](http://www.acorneng.com) for most current specifications.



#### NOTES:

1. Showerhead
2. Handheld Shower with 60" Hose
3. Diverter Valve w/ Standard Patented Tri-Lever Handle
4. T/P Valve w/ Standard Patented Tri-Lever Handle

5. Recessed Soap Dish Provided Standard
6. Two-Wall Grab Bar Provided
7. Padded Seat Provided
8. Wall Mounting Frame With Plaster Flange

**WARNING:** Cancer and Reproductive Harm - [www.P65Warnings.ca.gov](http://www.P65Warnings.ca.gov)

<p><b>Important:</b> Installation instructions and current rough-in are furnished with each fixture. Do not rough in without certified dimensions. Dimensions are subject to manufacturer's tolerance of plus or minus 1/4" and change without notice. Acorn assumes no responsibility for use of void or superseded data. © Copyright 2008 Acorn Engineering Company</p>	
<p style="text-align: center;">Selection Summary</p> <p>Model No. &amp; Option _____</p> <p>Quantity _____</p>	<p style="text-align: center;">Approved for Manufacturing</p> <p>Company _____ Title _____</p> <p>Signature _____ Date _____</p>