



Shower-Ware® 600 Series

Classic Column Showers Two to Six Station Models



668-RD

Fixture May Show Some Available Options

- Patented D697,591
- © Acorn Engineering Co.

CONTROLS
INSIDE

Please visit www.acorneng.com for most current specifications.

Classic Column Showers Two to Six Station Models

Column Shower is heavy gage, type 304 stainless steel with satin finish. Column showers are completely pre-piped to the valve, showerhead, and optional soap system. All Column Showers are hydrostatically tested to 150 PSI.

Showerheads are solid brass, triple chrome-plated and include a 1.6 GPM flow restrictor. The Acorn Logan Wizard Showerhead design provides self-cleaning with every use, and has an adjustable spray pattern from a coarse stream to a fine mist.

Bronze Manifolds and valve bodies are designed for long life and maximum corrosion protection in all column showers. Fittings for connecting to 3/4" NCT inlets are furnished by others.

Control Valve type is indicated by selected Classic model number. All valves have replaceable cartridges which contain all wearing parts and are serviced from the face of the shower for easy maintenance. Valve is tamper-resistant with an easy to close mechanism and low leverage handle to protect the operating parts from excessive torque.

Note: Air-Control and Electronic Valves (-MVC, -EVS) must be located remotely or positioned above unit within -VC Valve Cover (Bottom Supply) or -SC Supply Cover (Top Supply), 9 ft (108") ceiling minimum. Refer to appropriate factory installation detail for additional information.

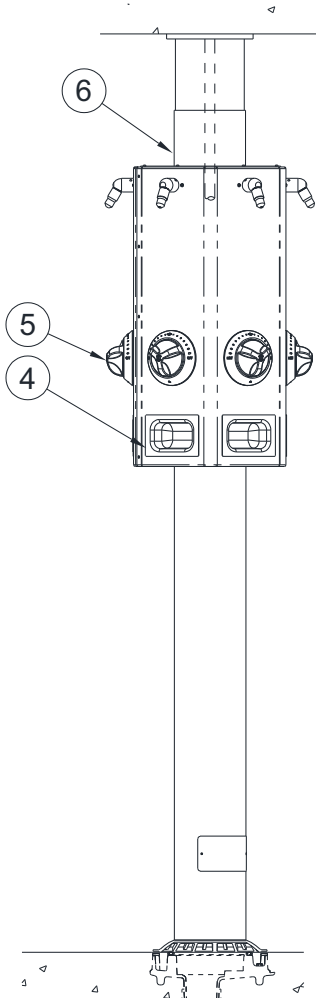
Built-in Liquid Soap System is optionally available and includes Dispensers at each station with Built-in Tank.

Drain Base (provided standard) is cast iron with a rust preventative coating, and provides secure mounting for the column. Drains include Clamping Collar and 3" No-Hub Waste Outlet connection and may be specified with Dome Grate. Drains are offered for a 2" Vent Through the Column or Vented Off-line (Off Drain, in the Wall). Optional Supply Cover is recommended for Vent-Through Column. 4" No-Hub or Inside Caulk Waste are optionally available. When a separate Area Drain is to be utilized, an Acorn Drain Base may be embed to serve as Column anchoring base only (recommended) or the Column may be mounted directly to floor without Drain. Optional -LD Less Drain Slots are recommended for installations with Area Drains or if Drain Base isn't being used.

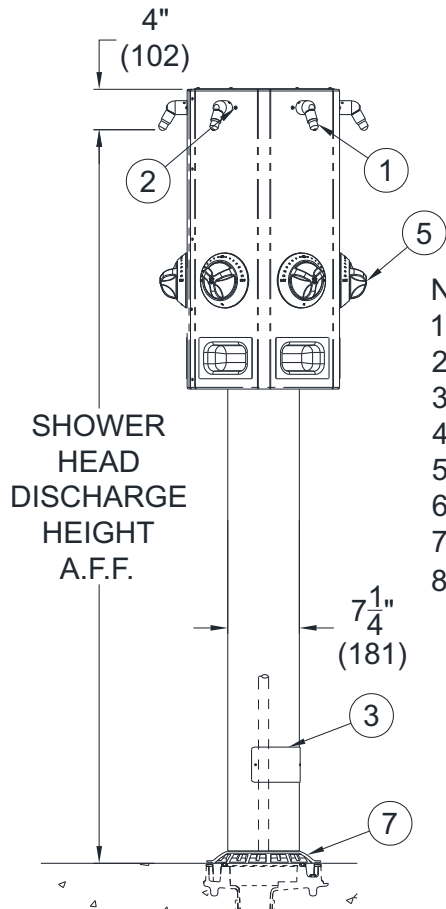
Fasteners. Acorn furnishes all exposed tamper-resistant fasteners necessary to complete the on-site Shower assembly installation; however, supply cover ceiling fasteners are not furnished.

GUIDE SPECIFICATION

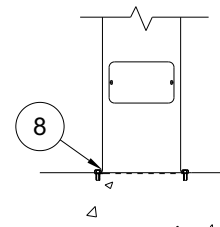
Provide and install Acorn Classic Column Showers (specify model number and options). Column shall be 14 gage, type 304 stainless steel with satin finish. Column shall be factory pre-piped and hydrostatically tested to 150 PSI. Drain base shall be heavy cast iron with a rust preventative coating, and shall have a Dome Grate with polished chrome-plated finish [Specify]. Showerhead discharge height shall be (specify). Installation shall be made in accordance with manufacturer's recommendations and details.



MODEL# 600-T11-SERIES



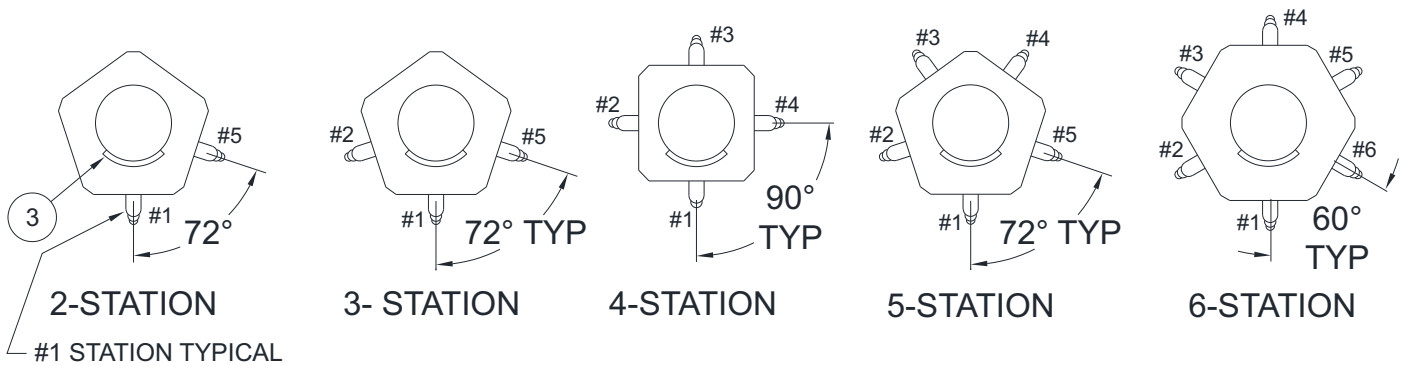
MODEL# 600-B11-SERIES



MODEL# 600-LD SERIES

NOTES:

1. #1 Station Shower Head.
2. Tamper Resistant Fasteners.
3. Access Cover - Located at #1 Station.
4. Optional -RD Recessed Soap Dish.
5. T/P Valve with Tri-Lever Handle shown.
6. Optional -SC Supply Cover.
7. B11 Drain Base w/ Dome Grate shown.
8. Optional - LD Less Drain Slots Detail.



SHOWER STATION LAYOUT AND REFERENCE DETAILS

(*NOTE: 2 and 3 Station Units use 5 Station Valve Manifold. Shower Station Numbers are Identified Accordingly)

Important: Installation instructions and current rough-in are furnished with each fixture. Do not rough in without certified dimensions. Dimensions are subject to manufacturer's tolerance of plus or minus 1/4" and change without notice. Acorn assumes no responsibility for use of void or superseded data. © Copyright 2006 Acorn Engineering Company

Shower-Ware®: 600 Classic Column Showers Two to Six Station Models



Showerhead Discharge Height

(Not Part of Model Number)

- 6'-0" 5'-6" 5'-0" Other (Specify) _____

MODEL NUMBER AND OPTIONS SELECTION

SERIES (Must Specify)

- 6 Classic Column Shower

NUMBER OF STATIONS (Must Specify)

- 2 3 4 5 6

VALVE (Must Specify)

- 0 Electronic Valves, Single-Temp Metering
(Indicate **Electronic Valve Selection** Below)
(Requires -SC Supply Cover or -VC Valve Cover)
- 6 Air-Control, Single Temperature Metering
(Requires -SC Supply Cover or -VC Valve Cover)
- 8 T/P Temperature-Pressure Balancing Mixing
Valve With Patented Ligature Resistant Tri-Lever
Handle (ASSE 1016 Compliant)

ELECTRONIC VALVE SELECTION

Master-Trol® (Electronic)

- EVS1 Single Temp
 -EVSP1 Single Temp, Piezo Button

Master-Trol® PLUS (Electronic)

- MTP1 Single Temp
 -MTPP1 Single Temp, Piezo Button

Time-Trol® (Electronic)

- MVC1 Single Temp

Programmable (Electronic) w/9VDC Plug-In Transformer

- PPZ1 Single Temp Programmable Piezo Button

SUPPLY BUILD (Must Specify)

- Bottom Supply
 Top Supply

DRAIN BASE TYPE (Must Specify)

Provided Standard 3" No-Hub Waste. Refer to Drain Options.

Bottom Supply:

- B11 Dome Grate, Clamping Collar, Vent Off Drain
 B15 Dome Grate, Clamping Collar, Vent Through Unit
 B21 Clamping Collar, Vent Off Drain
 B25 Clamping Collar, Vent Through Unit

Top Supply:

- T11 Dome Grate, Clamping Collar, Vent Off Drain
 T15 Dome Grate, Clamping Collar, Vent Through Unit
 T21 Clamping Collar, Vent Off Drain
 T25 Clamping Collar, Vent Through Unit

VALVE OPTIONS

- CI Cycle Interrupt for Time-Trol Valves
 -GG Unit Shutoff Valve
 -LVR Lever Handle (-8 Valve)
 -MV Metering Air-control Valve in Riser (-8 Valve)
 -PBH Hemispherical Pushbutton
 -TC Thermostatic Controller
(Only available with B11, B21, T11, T21 drains)
(Requires -SC Supply Cover or -VC Valve Cover)
- TF Transformer, 120VAC to 24VAC (-MVC option only)

SHOWERHEAD OPTIONS

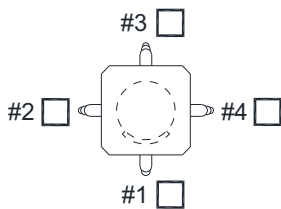
- CSH Conical Showerhead (Ligature Resistant)
 -FC Flow Control 2.0 GPM (Not Available in California)
 -FX Hand Shower With 60" Stainless Steel Hose
(In Lieu of Conventional Showerhead)
- QD Quick-Disconnect
 -PSO -QD w/ Positive Shut-Off
Specify -FX Location (**Refer to Station Numbers Below**)
1 2 3 4 5 6
- MSH Multi-Stream Showerhead
 -P Penal Showerhead
 -Y Universal Ball Joint
 -YY Lockable Universal Ball Joint

DRAIN OPTIONS

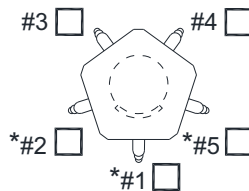
- BDF Bradley Drain Adapter Flange (N/A with -LD Option)
 -FO 4" No-Hub Waste Outlet (B11, B21, T11, T21 drains)
 -IC 3" Inside Caulk Waste (B11, B21, T11, T21 drains)
 -LD Less Drain Slots (For use with Area Drain)

PRODUCT OPTIONS

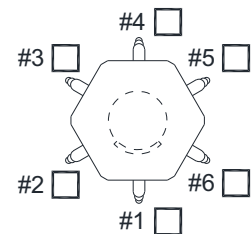
- BS Built-in Liquid Soap System
 -CA Ceiling Anchor Plate for Supply Cover
 -CF Adjustable Column Flange
 -D Soap Dish
 -DS Diana Circular Privacy (See Diana Privacy Submittal)
 -EG Enviro-Glaze Color, Specify _____
 -FS Foot Shower at One Station (**Specify Location Below**)
 -MS Modular Privacy Compartments
(See Diana Privacy Tab)
- RD Recessed Soap Dish
 -SC Supply Cover, Ceiling Height _____
 -VC Valve Cover to Conceal Optional Air Control /
Electronic Valve &/or Thermostatic Controller
with Bottom Supply (108" Min Ceiling Height)



4-STATION



2, 3, and 5-STATION



6-STATION

SHOWER STATION NUMBER REFERENCE AND OPTIONAL -FS FOOT SHOWER LOCATOR

(*NOTE: 2 and 3 Station Units use 5 Station Valve Manifold. Shower Station Numbers are Identified Accordingly)

Please visit www.acorneng.com for most current specifications. ⚠ WARNING: Cancer and Reproductive Harm - www.P65Warnings.ca.gov

<p>Important: Installation instructions and current rough-in are furnished with each fixture. Do not rough in without certified dimensions. Dimensions are subject to manufacturer's tolerance of plus or minus 1/4" and change without notice. Acorn assumes no responsibility for use of void or superseded data. © Copyright 2006 Acorn Engineering Company</p>	
<p>Selection Summary</p> <p>Model No. & Option _____</p> <p>Quantity _____</p>	<p>Approved for Manufacturing</p> <p>Company _____ Title _____</p> <p>Signature _____ Date _____</p>