



Shower-Ware® 600HC Series

Barrier-free Classic Showers Two to Six Station Models - Non ADA Compliant



668HC-RD

Fixture May Show Some Available Options

CONTROLS
INSIDE

- Patented D697,591
- © Acorn Engineering Co.

Please visit www.acorneng.com for most current specifications.

Barrier-free Classic Column Showers Two to Six Station Models - Non ADA Compliant

Column Shower is heavy gage, type 304 stainless steel with satin finish. Column showers are completely pre-piped to the valve, showerhead, and optional soap system. All Column Showers are hydrostatically tested to 150 PSI.

Barrier-free Station is located at Station #1 and includes a Patented Ligature Resistant ADA Compliant Tri-Lever Handled (Standard with T/P valve only) diverter valve for hand shower and fixed upper head. Hand shower includes 60" long stainless steel hose and mounting bracket. Diverter valve is located at 48" above the floor (6'-0" discharge). Handicap station includes a welded vertical 24" grab bar and a recessed soap dish.

NOTE: Shower does not conform with ADA Accessibility Guidelines for use as an Accessible Shower Station, due to requirements for a conforming Transfer Type or Roll-In Shower Stall. For conformance with Outdoor Rinsing Shower Guidelines refer to www.Access-Board.gov.

Showerheads are solid brass, triple chrome-plated and include a 1.6 GPM flow restrictor. The Acorn Logan Wizard Showerhead design provides self-cleaning with every use, and has an adjustable spray pattern from a coarse stream to a fine mist.

Bronze Manifolds and valve bodies are used for long life and maximum corrosion protection in all Column Showers. Fittings for connecting to 3/4" NCT inlets are furnished by others.

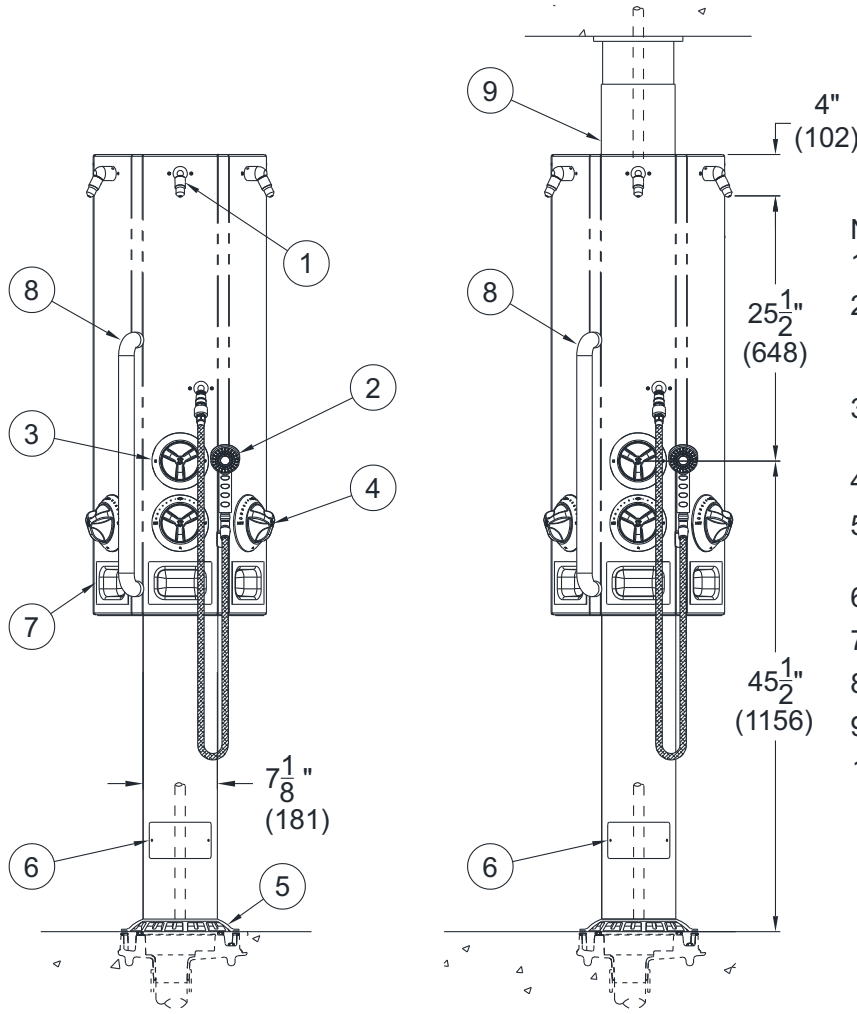
Control Valve type is indicated by selected Classic model number. All valves have replaceable cartridges, which contain all wearing parts and are serviced from the face of the shower for easy maintenance. Valve is tamper-resistant with an easy to close mechanism and low leverage handle to protect the operating parts from excessive torque. Control valve at Barrier-free station includes lever handle when applicable.

Note: Air-Control and Electronic Valves (-MVC, -EVS) must be located remotely or positioned above unit within -VC Valve Cover (Bottom Supply) or -SC Supply Cover (Top Supply), 9 ft (108") ceiling minimum. Refer to appropriate factory installation detail for additional information.

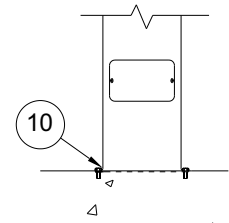
Built-in Liquid Soap System is optionally available and includes Dispensers at each station with Built-in Tank.

Drain Base (provided standard) is cast iron with a rust preventative coating, and provides secure mounting for the column. Drains include Clamping Collar and 3" No-Hub Waste Outlet connection and may be specified with Dome Grate. Drains are offered for a 2" Vent Through the Column or Vented Off-line (Off Drain, in the Wall). Optional Supply Cover is recommended for Vent-Through Column. 4" No-Hub or Inside Caulk Waste are optionally available. When a separate Area Drain is to be utilized, an Acorn Drain Base may be embed to serve as Column anchoring base only (recommended) or the Column may be mounted directly to floor without Drain. Optional -LD Less Drain Slots are recommended for installations with Area Drains or if Drain Base isn't being used.

Fasteners. Acorn furnishes all exposed tamper-resistant fasteners necessary to complete the on-site shower assembly installation; however, supply cover ceiling fasteners are not furnished.



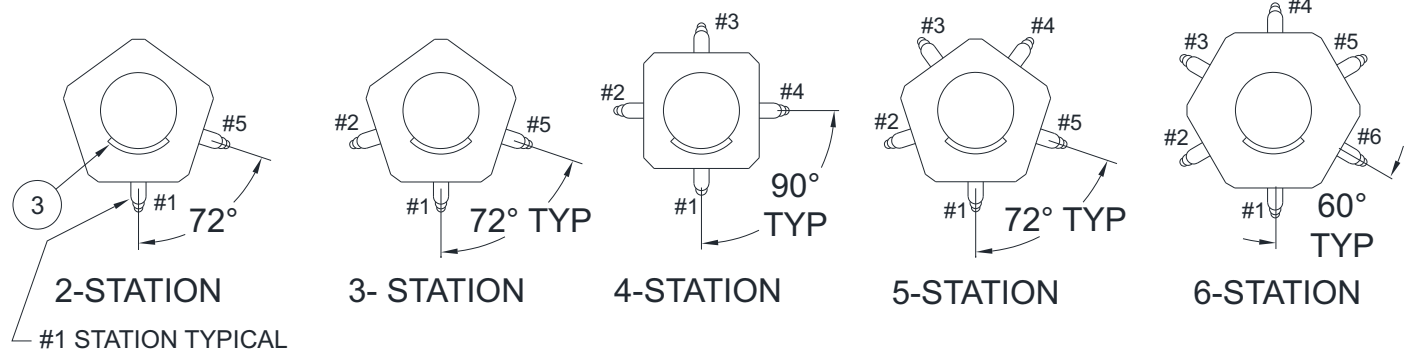
- NOTES:**
- 1- #1 Station Shower Head
 - 2- Handicap Station Hand Shower with 60" Flex Hose and On/Off Pushbutton.
 - 3- Handicap Station Diverter Valve with Tri-Lever Handle.
 - 4- T/P Valve with Tri-Lever Handle Shown.
 - 5- Optional B-11 Drain Base with Dome Grate Shown.
 - 6- Access Cover.
 - 7- Optional Recessed Soap Dish
 - 8- Stainless Steel Grab Bar.
 - 9- Optional -SC Supply Cover.
 - 10- Optional - LD Less drain Slots Detail.



MODEL# 600HC-B11-RD

MODEL# 600HC-T11-RD

MODEL# 600-LD SERIES



SHOWER STATION LAYOUT AND REFERENCE DETAILS

(*NOTE: 2 and 3 Station Units use 5 Station Valve Manifold. Shower Station Numbers are Identified Accordingly)

<p>Important: Installation instructions and current rough-in are furnished with each fixture. Do not rough in without certified dimensions. Dimensions are subject to manufacturer's tolerance of plus or minus 1/4" and change without notice. Acorn assumes no responsibility for use of void or superseded data. © Copyright 2006 Acorn Engineering Company</p>	
<p style="text-align: center;">Selection Summary</p> <p>Model No. & Option _____</p> <p>Quantity _____</p>	<p style="text-align: center;">Approved for Manufacturing</p> <p>Company _____ Title _____</p> <p>Signature _____ Date _____</p>

Shower-Ware®: 600HC Barrier-free Classic Column Showers - Non ADA Compliant



Showerhead Discharge Height

(Not Part of Model Number)

- 6'-0" 5'-6" 5'-0" Other (Specify) _____

MODEL NUMBER AND OPTIONS SELECTION

SERIES (Must Specify)

- 6 Barrier-free Classic Column Shower

NUMBER OF STATIONS (Must Specify)

- 2 3 4 5 6

VALVE (Must Specify)

- 0 Electronic Valves, Single-Temp Metering
(Indicate **Electronic Valve Selection** Below)
(Requires -SC Supply Cover or -VC Valve Cover)
- 6 Air-Control, Single Temperature Metering
(Requires -SC Supply Cover or -VC Valve Cover)
- 8 T/P Temperature-Pressure Balancing Mixing Valve with a Patented Ligature Resistant ADA Tri-Lever Handle (ASSE 1016 Compliant)

ELECTRONIC VALVE SELECTION

Master-Trol® (Electronic)

- EVS1 Single Temp
 -EVSP1 Single Temp, Piezo Button

Master-Trol® PLUS (Electronic)

- MTP1 Single Temp
 -MTPP1 Single Temp, Piezo Button

Time-Trol® (Electronic)

- MVC1 Single Temp

Programmable (Electronic) w/9VDC Plug-In Transformer

- PPZ1 Single Temp Programmable Piezo Button

SUPPLY BUILD (Must Specify)

- Bottom Supply
 Top Supply

DRAIN BASE TYPE (Must Specify)

Provided Standard 3" No-Hub Waste. Refer to Drain Options.

Bottom Supply:

- B11 Dome Grate, Clamping Collar, Vent Off Drain
 B15 Dome Grate, Clamping Collar, Vent Through Unit
 B21 Clamping Collar, Vent Off Drain
 B25 Clamping Collar, Vent Through Unit

Top Supply:

- T11 Dome Grate, Clamping Collar, Vent Off Drain
 T15 Dome Grate, Clamping Collar, Vent Through Unit
 T21 Clamping Collar, Vent Off Drain
 T25 Clamping Collar, Vent Through Unit

VALVE OPTIONS

- CI Cycle Interrupt for Time-Trol Valves
 -GG Unit Shutoff Valve
 -LVR Lever Handle (-8 Valve)
 -MV Metering Air-control Valve in Riser (-8 Valve)
 -PBH Hemispherical Pushbutton
 -TC Thermostatic Controller
(Only available with B11, B21, T11, T21 drains)
(Requires -SC Supply Cover or -VC Valve Cover)
- TF Transformer, 120VAC to 24VAC (-MVC option only)

SHOWERHEAD OPTIONS

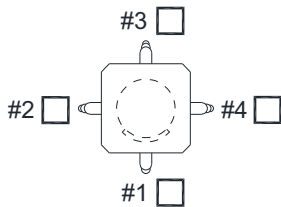
- CSH Conical Showerhead (Ligature Resistant)
 -FC Flow Control 2.0 GPM (Not Available in California)
 -MSH Multi-Stream Showerhead
 -P Penal Showerhead
 -QD Quick Disconnect for Hand Shower
 -PSO Positive Shut-Off
 -Y Universal Ball Joint
 -YY Lockable Universal Ball Joint

DRAIN OPTIONS

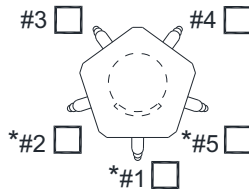
- BDF Bradley Drain Adapter Flange (N/A with -LD Option)
 -FO 4" No-Hub Waste Outlet (B11, B21, T11, T21 drains)
 -IC 3" Inside Caulk Waste (B11, B21, T11, T21 drains)
 -LD Less Drain Slots (For use with Area Drain)

PRODUCT OPTIONS

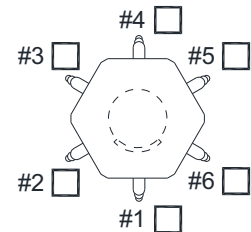
- BS Built-in Liquid Soap System
 -CA Ceiling Anchor Plate for Supply Cover
 -CF Adjustable Column Flange
 -D Soap Dish
 -DS Diana Circular Privacy (See Diana Privacy Tab)
 -EG Enviro-Glaze Color, Specify _____
 -FS Foot Shower at One Station (**Specify Location Below**)
 -LGB Less Grab Bar
 -MS Modular Privacy Compartments
(See Diana Privacy Tab)
 -RD Recessed Soap Dish
 -SC Supply Cover, Ceiling Height _____
(Air-Control/Electronic Valves - Bottom Supply)
 -VC Valve Cover to Conceal Optional Air Control /
Electronic Valve &/or Thermostatic Controller
with Bottom Supply (108" Min Ceiling Height)



4-STATION



2, 3, and 5-STATION



6-STATION

SHOWER STATION NUMBER REFERENCE AND OPTIONAL -FS FOOT SHOWER LOCATOR

(*NOTE: 2 and 3 Station Units use 5 Station Valve Manifold. Shower Station Numbers are Identified Accordingly)

Please visit www.acorneng.com for most current specifications. ⚠ WARNING: Cancer and Reproductive Harm - www.P65Warnings.ca.gov

<p>Important: Installation instructions and current rough-in are furnished with each fixture. Do not rough in without certified dimensions. Dimensions are subject to manufacturer's tolerance of plus or minus 1/4" and change without notice. Acorn assumes no responsibility for use of void or superseded data. © Copyright 2006 Acorn Engineering Company</p>	
<p>Selection Summary</p> <p>Model No. & Option _____</p> <p>Quantity _____</p>	<p>Approved for Manufacturing</p> <p>Company _____ Title _____</p> <p>Signature _____ Date _____</p>