



ACORN SAFETY  
P.O. BOX 3527  
CITY OF INDUSTRY, CA 91744-0527  
**UNITED STATES OF AMERICA**  
[WWW.ACORNSAFETY.COM](http://WWW.ACORNSAFETY.COM)

## **INSTALLATION, OPERATION AND MAINTENANCE INSTRUCTIONS**

### **MODESTY CURTAIN**



**MODELS S00000-MC3**

### **TECHNICAL ASSISTANCE TOLL FREE TELEPHONE NUMBER**

**1.800.591.9360**

**TECHNICAL ASSISTANCE FAX: 1.626.855.4894**

#### **NOTES TO THE INSTALLER:**

- 1. Please leave this documentation with the owner of the fixture when finished.**
- 2. Please read this entire booklet before beginning the installation.**
- 3. Check your installation for compliance with plumbing, electrical, ANSI Z3558.1 and other applicable codes.**

#### **LIMITED WARRANTY**

#### **UNITED STATES AND CANADA**

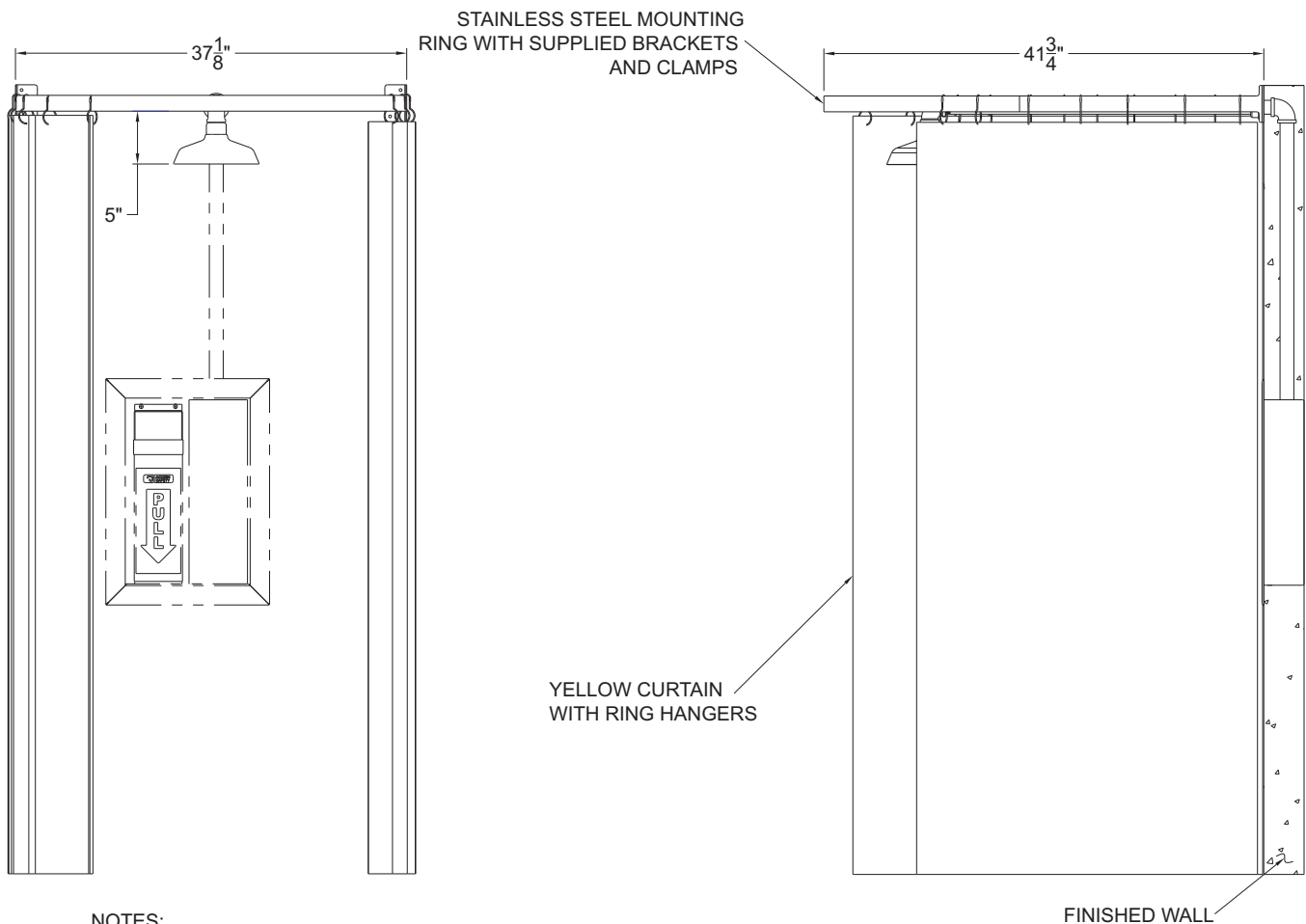
Acorn Safety warrants that its products are free from defects in material or workmanship under normal use and service for a period of one year from date of shipment. Acorn's liability under this warranty shall be discharged solely by replacement or repair of defective material, provided Acorn is notified in writing within one year from date of shipment, F.O.B. Industry, California.

This warranty does not cover installation or labor charges and does not apply to materials, which have been damaged by other causes such as mishandling or improper care or abnormal use. The repair or replacement of the defective materials shall constitute the sole remedy of the Buyer and the sole remedy of Acorn under this warranty. Acorn shall not be liable under any circumstances for incidental, consequential or direct charges caused by defects in materials, or any delay in the repair or replacement thereof. This warranty is in lieu of all other warranties expressed or implied. Product maintenance instructions are issued with each unit and disregard or non-compliance with these instructions will constitute an abnormal use condition and void the warranty. Stainless steel must be protected on jobsites during construction and must be properly maintained after the water has been introduced into the safety

**PRELIMINARY STEPS**

1. Read the installation instructions prior to beginning the installation.
2. Separate parts from packaging and verify all necessary parts are accounted for and undamaged. Obtain missing or damaged parts from Acorn Safety prior to beginning installation.
3. In order to comply with ANSI Z358.1, the safety equipment must be inspected periodically.
5. All employees at risk of eye contamination should be informed and trained in the use of this and any other safety equipment.

**ROUGH-IN**



- NOTES:
1. ALL DIMENSIONS ARE INCHES.
  2. THE SHOWER AND RECESSED ACTIVATION ARE NOT INCLUDED WITH THE CURTAIN.
  3. TIE-BACK INCLUDED, NOT SHOWN.

### NOTE

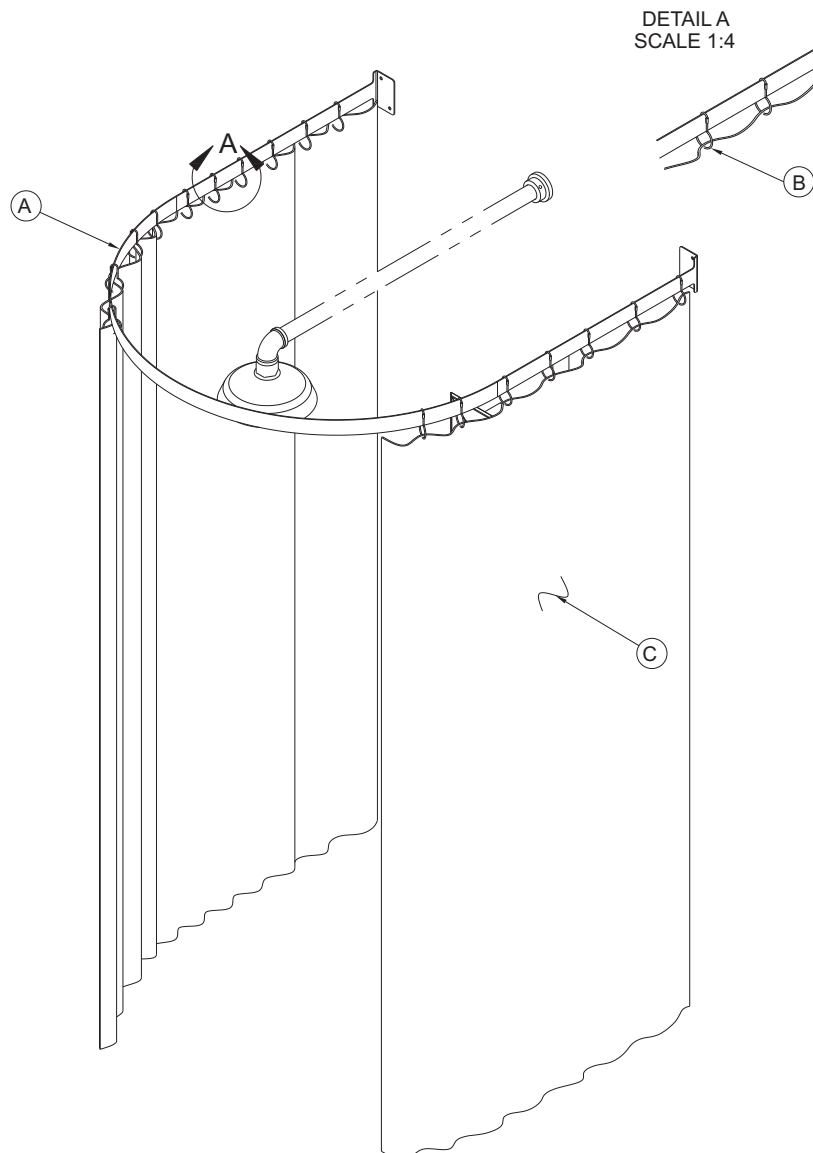
- Use hand tools and wrenches in a manner which will prevent marring finished surfaces

### **Step one: FRAME**

1. Install the curtain rod "A" to the wall using appropriate wall anchors (supplied by others). See the Rough-In drawing for dimensions.
2. Slide twenty-six curtain hooks "B" onto curtain rod "A".
3. Check for levelness of all newly installed components and adjust as necessary.

### **Step two: CURTAIN**

1. Install shower curtain "C" to the pre-installed curtain hooks. Compress a curtain on each side of the curtain rod against the wall, use the attached Velcro patches to keep the curtains from opening.



**PARTS LIST**

ITEM #	PART NUMBER	DESCRIPTION
1	7102-331-199	CURTAIN ROD, S/S
2	7102-328-000	SHOWER CURTAIN, VINYL, YELLOW
3	3895-003-000	CURTAIN HOOK

