



## Hose & Supply Boxes 8106 Series

Lumaloy Recessed Hose Box (Hot and Cold)



8109

Fixture May Show Some Available Options

Please visit [www.acorneng.com](http://www.acorneng.com) for most current specifications.

### Lumaloy Recessed Hose Box (Hot and Cold)

**Lumaloy, Recessed Hose Boxes** are CUPC® certified by IAPMO for U.S. and Canada. Boxes are designed for attractive service in both interior and exterior walls not subject to freezing. Recessed design prevents accidents which are common to surface-mounted or protruding hose valves.

**Hose Box** is a one piece cast construction and is furnished with two stainless steel angles for anchoring to the wall construction.

**Door and frame** are of cast Lumaloy. Door includes a recessed cam latch, which is operable with a loose key by others or with the removable wheel handle on the valve.

**Valve and Stop Body** is cast bronze with exposed parts chrome-plated. Valve and Stop feature tamper-resistant lockshield bonnet and replaceable cartridge containing all wearing parts including the seat. The body casting is gasketed where it joins the box and is securely anchored with stainless steel tamper-resistant screws. Supply inlet is 3/4" NPT female. Outlet is 3/4" male hose thread. Maximum recommended working water pressure is 100 PSI. Maximum water temperature is 130 degrees F. Use this [LINK](#) for Flow Rate details.

**-SSLF** stainless steel lead free material provides a rough finish, cast stainless steel valve body, stainless steel stop assembly, stainless steel lockshield cartridge and meets the lead free requirements where the wetted surface of this product contacted by water contains less than .25% lead. On models that include vacuum breakers, a lead-free brass vacuum breaker is provided. [IAPMO R&T Certified](#) for NSF/ANSI 372, Section 1417(d) of the Federal Safe Drinking Water Act, and the lead content requirements of Section 116875 of the California Health & Safety Code.

**Screwdriver Stop** in supply permits servicing the control valve without shutting down the water supply. Vacuum breaker models prevent contamination of the potable water supply. Vacuum breakers are atmospheric type and conform to the requirements of ASSE Standard 1011. Check local code authority for vacuum breaker requirements.

### GUIDE SPECIFICATION

Box shall be one piece cast construction, fabricated from Lumaloy with plain finish. Frame and door shall have a prime coat finish. Door shall have a recessed cam latch operable with a loose key by others or with the removable wheel handle on the valve. Valve shall be a replaceable cartridge type with vandal-resistant lockshield bonnet, removable loose key wheel handle and screwdriver operated stop.

# Hose & Supply Boxes 8106 Lumalay Recessed Hose Box (Hot and Cold)



## BASE MODEL NUMBER (Must Specify)

### HOSE BOX LESS DOOR AND FRAME

- 8106 Hot & Cold Less Vacuum Breaker
- 8107 Hot & Cold With Vacuum Breaker

### HOSE BOX WITH DOOR AND FRAME

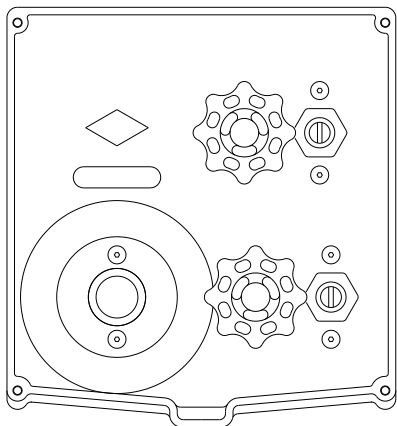
- 8108 Hot & Cold Less Vacuum Breaker
- 8109 Hot & Cold With Vacuum Breaker

## PRODUCT OPTIONS (Must Specify)

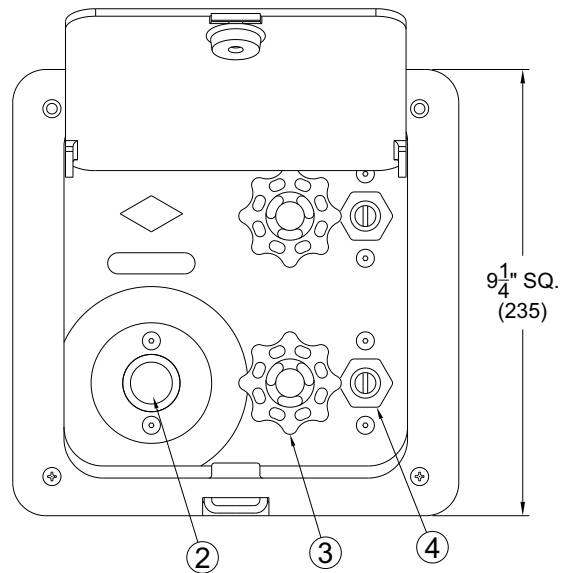
- SSLF    Stainless Steel Lead Free

Please visit [www.acorneng.com](http://www.acorneng.com)  
for most current specifications.

8106 SHOWN

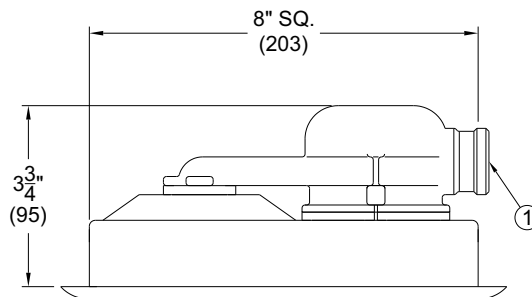


8108 SHOWN



**NOTES:**

1. SUPPLY CONNECTION
2. HOSE CONNECTION
3. WHEEL HANDLE (REMOVABLE)
4. SCREWDRIVER STOP



**WARNING:** Cancer and Reproductive Harm - [www.P65Warnings.ca.gov](http://www.P65Warnings.ca.gov)

<p><b>Important:</b> Installation instructions and current rough-in are furnished with each fixture. Do not rough in without certified dimensions. Dimensions are subject to manufacturer's tolerance of plus or minus 1/4" and change without notice. Acorn assumes no responsibility for use of void or superseded data. © Copyright 2009 Acorn Engineering Company</p>	
<p style="text-align: center;">Selection Summary</p> <p>Model No. &amp; Option _____</p> <p>Quantity _____</p>	<p style="text-align: center;">Approved for Manufacturing</p> <p>Company _____ Title _____</p> <p>Signature _____ Date _____</p>