



Hose & Supply Boxes 8170 Series

Stainless Steel Recessed Hose Box with Lumaloy Non-Skid Top for Floor Installation



8171-SSLF

Fixture May Show Some Available Options

Please visit www.acorneng.com for most current specifications.

Stainless Steel Recessed Hose Box with Lumaloy Non-Skid Top for Floor Installation - Lead Free

These Acorn Recessed Hose Boxes are CUPC® by IAPMO certified for U.S. and Canada. Boxes are designed for attractive service in both interior and exterior floors not subject to freezing. Ideal for installation in markets and similar commercial buildings in foot traffic locations* or where wall box cannot be used. Vacuum breaker models prevent accidental contamination of potable water supply. (* Not suitable for loads from equipment such as Forklifts etc.)

Hose Box is seamless construction, fabricated from 18 gage, type 304 stainless steel and is furnished with four stainless steel clips for anchoring to the floor.

Frame and Door are cast Lumaloy and have a diamond tread non-skid surface. Frame is furnished with four tamper-resistant bolts for anchoring to box. Door is hinged and has a recessed cam latch which is operable with a loose key by others or the removable wheel handle on the valve.

-SSLF Valve and Stop Body are stainless steel, lead free design and provide a rough finish, cast stainless steel valve body, stainless steel stop assembly, stainless steel lockshield cartridge to meet the lead free requirements where the wetted surfaces contain less than 0.25% lead. Valve and Stop feature tamper-resistant lockshield bonnets and replaceable cartridges containing all wearing parts including the seat. The valve and stop body casting is gasketed** where it joins the box and is securely anchored with stainless steel tamper-resistant screws. Supply inlet is 3/4" NPT female. Outlet is 3/4" male hose thread. On models that include vacuum breakers, a lead-free brass Vacuum Breaker with rough chrome plate finish is provided. Maximum recommended working water pressure is 100 PSI. Maximum water temperature is 130 degrees F. Use this [LINK](#) for Flow Rate details. [IAPMO R&T Certified](#) for NSF/ANSI 372, Section 1417(d) of the Federal Safe Drinking Water Act, and the lead content requirements of Section 116875 of the California Health & Safety Code.

Screwdriver Stop in supply permits servicing the control valve without shutting down the water supply. Vacuum breaker models prevent contamination of the potable water supply. Vacuum breakers are atmospheric type and conform to the requirements of ASSE Standard 1011. Check local code authority for vacuum breaker requirements.

**** Recommended installation** includes a pea gravel bed below finished floor to facilitate a limited amount of drainage through interior of Box by flowing over weep openings created by Spacers between Valve Body and Box. Refer to installation instruction for complete details.

GUIDE SPECIFICATION

Provide and install Acorn Recessed Hose Box model (specify model number) for floor installation. Box shall be fabricated from 18 gage, type 304 stainless steel with satin finish interior. Door assembly shall be cast Lumaloy and have a diamond tread, non-skid surface, and cam latch operable with a loose key by others or with the removable wheel handle on the valve. Valve shall be stainless steel, lead free cartridge-operated type with vandal-resistant lockshield bonnets and a removable wheel handle. Hose box shall be installed flush with floor over one cubic foot of pea gravel.



BASE MODEL NUMBER (Must Specify)

PRODUCT OPTIONS (Must Specify)
(None)

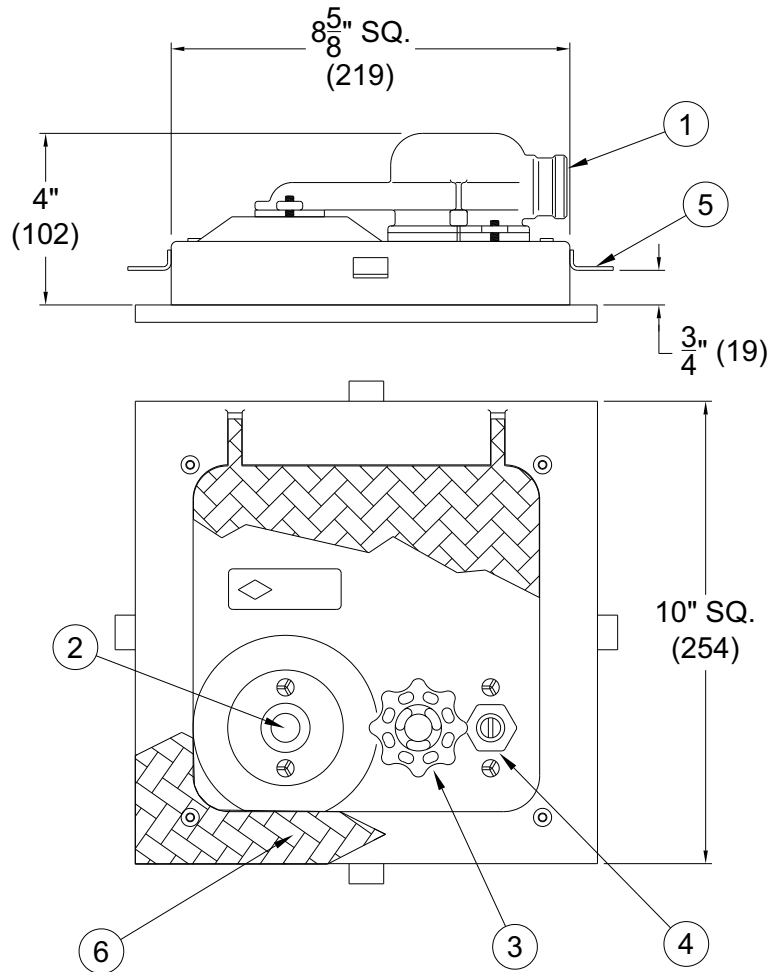
LEAD FREE STAINLESS STEEL FLOOR RECESSED HOSE BOX SINGLE TEMP

- 8170-SSLF Single Temperature Less Vacuum Breaker
- 8171-SSLF Single Temperature With Vacuum Breaker

LEAD FREE STAINLESS STEEL FLOOR RECESSED HOSE BOX HOT AND COLD

- 8175-SSLF Hot & Cold Less Vacuum Breaker
- 8176-SSLF Hot & Cold With Vacuum Breaker

Please visit www.acorneng.com for most current specifications.



NOTES:

1. Supply Connection.
2. Hose Connection.
3. Wheel Handle (Removable).
4. Screwdriver Stop.
5. Anchor Clips.
6. Non-Skid Cover.

MODEL# 8170-SSLF

WARNING: Cancer and Reproductive Harm - www.P65Warnings.ca.gov

<p>Important: Installation instructions and current rough-in are furnished with each fixture. Do not rough in without certified dimensions. Dimensions are subject to manufacturer's tolerance of plus or minus 1/4" and change without notice. Acorn assumes no responsibility for use of void or superseded data. © Copyright 2006 Acorn Engineering Company</p>	
<p style="text-align: center;">Selection Summary</p> <p>Model No. & Option _____</p> <p>Quantity _____</p>	<p style="text-align: center;">Approved for Manufacturing</p> <p>Company _____ Title _____</p> <p>Signature _____ Date _____</p>