



Secur-Care® - Ligature Resistant LR1652FA Series
Ligature Resistant Lavatory with Oval Bowl - ADA 2010 Compliant - Front Access



See Note

LR1652FA-1-04-M

Patent Pending

Fixture May Show Some Available Options

Please visit www.acorneng.com for most current specifications.

Ligature Resistant Lavatory with Oval Bowl - ADA 2010 Compliant - Front Access**

Ligature Resistant Fixture is designed to be installed on a finished wall through a removable bottom secured with tamper-resistant screws. Optional Wall Sleeve is recommended to provide wall openings. Lavatory complies with ANSI, UFAS, CBC and ADA 2010 requirements for accessibility. Compliance is subject to the interpretation and requirements of the local code authority.

****NOTE:** Height of Lavatory Backsplash prevents ADA conformance for installation of a Mirror above unit since overall dimension exceeds requirements allowed for maximum height of reflective surface [ADA Reference: 603.3]. Contact Acorn Representative and/or Factory for a Modified Fixture to accommodate ADA Mirror height requirements.

Cabinet is fabricated from 14 gage, type 304 stainless steel and is seamless welded construction with exposed surfaces polished to a satin finish. Cabinet interior is sound-deadened with fire-resistant material.

Lavatory Oval Bowl is 14-3/4" x 9-1/2" x 4-1/2" deep and includes an integral fast drain. Standard P-trap waste outlet is 1-1/2" O.D. plain end and extends 3" beyond the rear of the fixture.

Optional Lavatory Valve is a pneumatically operated, pushbutton Air-Control valve using atmospheric air. Hemispherical pushbutton is vandal-resistant and requires less than 5 pounds to activate valve. Valve is metering, non-hold open type. Valve timing is adjustable from 5 to 60 seconds. Valve includes a 0.5 GPM flow control and can be remotely located up to 10 feet from the operating pushbutton. Valve and Bubbler conforms with lead free requirements of NSF61, Section 9 and CHSC 116875.

Regularly furnished items include a fast drain, an integral self-draining soap dish, hemispherical bubbler and pushbuttons, and mounting hardware. Wall anchors by others.

Suffix Option -DMB, Deck Mounted Bubbler optionally available, provides a hemispherical drinking bubbler that meets ADA requirements and lead free requirements of NSF61, Section 9 and CHSC 116875. This option also includes a separate hemispherical pushbutton and non-metering Air-Control valve with .7 GPM flow control.

DISCLAIMER: Due to the height off the Backsplash, a Mirror cannot be placed above unit with a reflective surface of 40" max A.F.F to conform with the ADA requirements.

GUIDE SPECIFICATION

Provide and install an Acorn - Ligature Resistant, ADA 2010 Compliant Lavatory with Oval Bowl, Front Access (specify model number and options). Unit shall conform with ANSI, UFAS, CBC and ADA requirements for accessibility. Fixture shall be fabricated from 14 gage, type 304 stainless steel. Construction shall be seamless welded and exposed surfaces shall have a satin finish. Countertop shall have an air-circulating, self-draining soap dish. Provide Air-Control pneumatically operated, metering, non-hold open valve with ADA compliant hemispherical pushbutton. Valve and Bubbler conform with lead free requirements of NSF61, Section 9 and CHSC 116875. Cabinet bottom shall be removable and secured with tamper-resistant screws. Cabinet interior shall be sound deadened with fire-resistant material. Fixture shall be furnished with necessary fasteners for proper installation.



Secur-Care® - Ligature Resistant LR1652FA:

Ligature Resistant Lavatory with Oval Bowl - ADA Compliant - Front Access

WALL THICKNESS AND TYPE (Must Specify)

Thickness: _____ Type: Concrete Block Steel

MODEL AND OPTIONS SELECTION:

BASE MODEL NUMBER

- LR1652FA Ligature Resistant Lavatory with Oval Bowl -ADA Compliant - Front Access

FIXTURE MOUNTING AND WASTE (Must Specify)

- 1 Off-Floor, Wall Outlet

VALVE SELECTION (Must Specify)

Air-Trol (Pneumatic)

- 03-M Single Temp, Metering
- 04-M Hot & Cold, Metering

Master-Trol (Electronic)

- EVS1 Single Temp
- EVS2 Hot & Cold
- EVSP1 Single Temp, Piezo Button
- EVSP2 Hot & Cold, Piezo Buttons

Master-Trol PLUS (Electronic)

- MTP1 Single Temp
- MTP2 Hot & Cold
- MTPP1 Single Temp, Piezo Button
- MTPP2 Hot & Cold, Piezo Buttons

-MTP VALVE OPTION

- PFB Power Failure Bypass (Provides emergency drinking water in the event of power failure)

Time-Trol (Electronic)

- MVC1 Single Temp
- MVC1-BAT Single Temp Battery Powered (Batteries Not Included)
- MVC2 Hot & Cold
- MVC2-BAT Hot & Cold Battery Powered (Batteries Not Included)

Programmable (Electronic) w/9VDC Plug-In Transformer

- PPZ1 Single Temp Programmable Piezo Button
- PPZ2 Hot & Cold Programmable Piezo Button

VALVE OPTIONS

- BRS Brass Body Valve
- CI Cycle Interrupt for Time-Trol Valves
- TF Transformer, 120VAC to 24VAC (-MVC option only)

CABINET OPTIONS

- FMT Fixture Mounted Trim
- TG 12 Gage Cabinet
- THLR Towel Hook
- Left Side: Single Double
- Right Side: Single Double

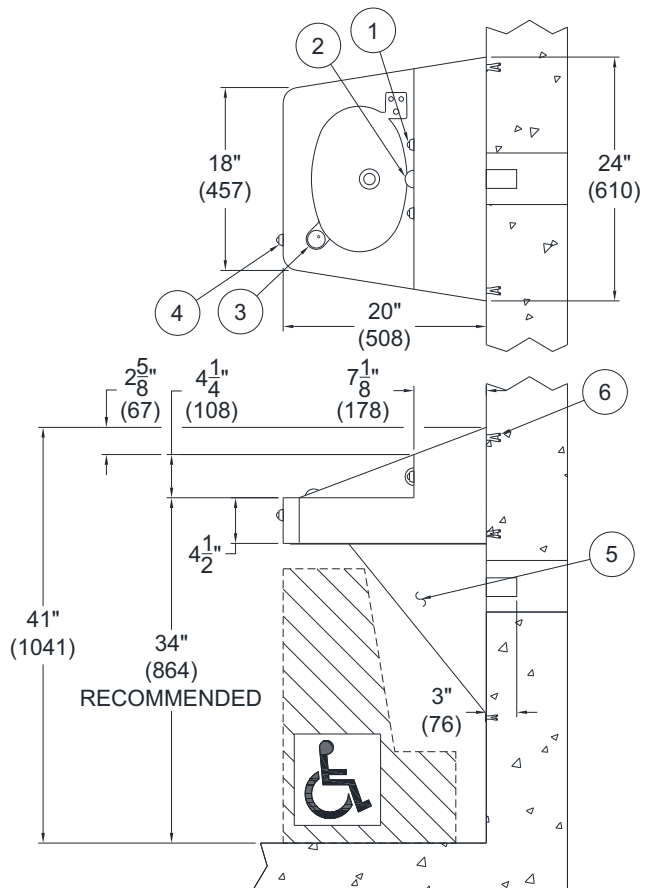
LAVATORY WASTE OPTIONS

- LWE Lavy Waste Extension (3" Standard)
Specify Length Beyond Fixture: _____

PRODUCT OPTIONS

- DMB Deck Mounted Hemispherical Drinking Bubbler (Cold water only) Not Applicable with -03-M tempered supply
- EG Enviro-Glaze, Specify Color: _____
- MT Metal Template (Only 1 Required Per Project)
- SW Wall Sleeve
- VAC AcornVac System

Please visit www.acorneng.com for most current specifications.



LR1652FA-1-04-DMB

NOTES:

1. Lavy Valve Hemispherical Pushbuttons
2. Lavy Hemispherical Bubbler
3. -DMB Deck Mounted Hemispherical Bubbler
4. Hemispherical Pushbutton for option -DMB
5. Removable Access Panel
6. Wall Mounting Anchors (By Others)

Important: Installation instructions and current rough-in are furnished with each fixture. Do not rough in without certified dimensions. Dimensions are subject to manufacturer's tolerance of plus or minus 1/4" and change without notice. Acorn assumes no responsibility for use of void or superseded data. © Copyright 2009 Acorn Engineering Company	
<p style="text-align: center;">Selection Summary</p> <p>Model No. & Option _____</p> <p>Quantity _____</p>	<p style="text-align: center;">Approved for Manufacturing</p> <p>Company _____ Title _____</p> <p>Signature _____ Date _____</p>