



## Secur-Care® - Ligature Resistant LR1672 Series

Ligature Resistant Drinking Fountain - ADA 2010 Compliant



LR1672-1-03

Patent Pending

Fixture May Show Some Available Options

Please visit [www.acorneng.com](http://www.acorneng.com) for most current specifications.

### Ligature Resistant Drinking Fountain - ADA 2010 Compliant

**Ligature Resistant Fixture** is designed to be installed and serviced from an accessible pipe chase. Optional Wall Sleeve or Metal Template is recommended on all installations for required wall openings. Fixture is fabricated from 14 gage, type 304 stainless steel and is seamless welded construction with a satin finish. Cabinet interior is sound-deadened with fire-resistant material. There are no accessible voids or crevices where contraband can be concealed. Unit conforms with ANSI, UFAS and ADA 2010 requirements for accessibility. Compliance is subject to the interpretation and requirements of the local code authority.

**Countertop** has a deck-mounted bubbler.

**Bowl** is multi-sided. Standard elbow waste outlet is 1-1/2" O.D. plain end and extends 10" beyond the back of fixture.

**Valve** is an optionally available Air-Control, pneumatically operated, pushbutton valve using atmospheric air and includes 0.7 GPM flow control. Valve is intended to be housed within cabinet or may be remotely located up to 10 feet away from the operating pushbutton. Valve is direct acting, non-metering type, with bubbler that both conform with lead free requirements of NSF61, Section 9 and CHSC 116875. Pushbutton is vandal resistant and requires less than 5 lbs to operate.

**Regularly furnished** items include a fast drain, plain end elbow waste, hemispherical bubbler and pushbutton and mounting hardware for walls up to 8" thick.

#### GUIDE SPECIFICATION

Provide and install an Secur-Care® - Ligature Resistant, ADA 2010 compliant Drinking Fountain (specify model number and options). Fixture shall be fabricated from 14 gage, type 304 stainless steel. Construction shall be seamless welded and exposed surfaces shall have a satin finish. Cabinet interior is sound-deadened with fire-resistant material. Fixture shall be furnished with necessary fasteners for proper installation. Units to conform with ANSI, UFAS and ADA requirements for accessibility, Valve and bubbler conform with lead-free requirements of NSF61, Section 9 and CHSC 116875.



# Secur-Care® - Ligature Resistant LR1672:

## Ligature Resistant Drinking Fountain - ADA 2010 Compliant

### WALL THICKNESS AND TYPE (Must Specify)

Thickness \_\_\_\_\_ Type:  Concrete  Block  Steel

### MODEL NUMBER AND OPTIONS SELECTION:

#### BASE MODEL NUMBER

LR1672 Ligature Resistant Drinking Fountain - ADA Compliant

### FIXTURE MOUNTING AND WASTE (Must Specify)

-1 Off-Floor, Wall Outlet

### VALVE SELECTION (Must Specify)

#### Air-Trol (Pneumatic)

-03 Single Temp, Non-Metering

#### Master-Trol (Electronic)

-EVS1 Single Temp  
 -EVSP1 Single Temp, Piezo Button

#### Master-Trol PLUS (Electronic)

-MTP1 Single Temp  
 -MTPP1 Single Temp, Piezo Button

#### -MTP VALVE OPTION

-PFB Power Failure Bypass (Provides emergency drinking water in the event of power failure)

#### Time-Trol (Electronic)

-MVC1 Single Temp  
 -MVC1-BAT Single Temp Battery Powered (Batteries Not Included)

#### Programmable (Electronic) w/9VDC Plug-In Transformer

-PPZ1 Single Temp Programmable Piezo Button

### VALVE OPTIONS

-BRS Brass Body Valve  
 -MA2 Manifolder, 2-Stack  
 -MA3 Manifolder, 3-Stack  
 -MA4 Manifolder, 4-Stack  
 -TF Transformer, 120VAC to 24VAC (-MVC option only)

### CABINET OPTIONS

-FMT Fixture Mounted Trim  
 -TG 12 Gage Cabinet

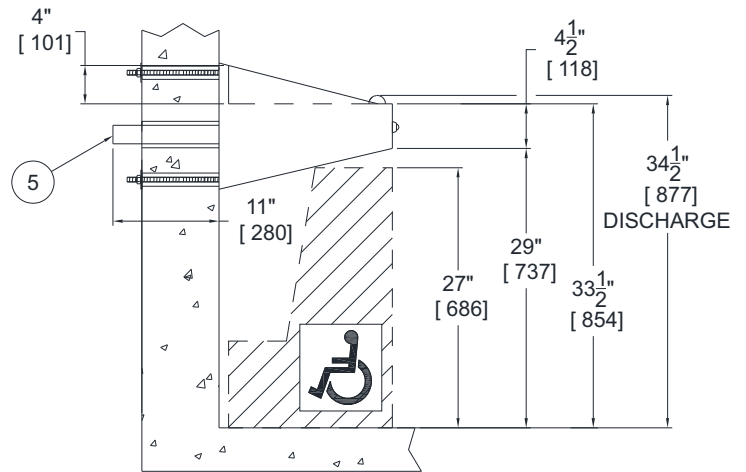
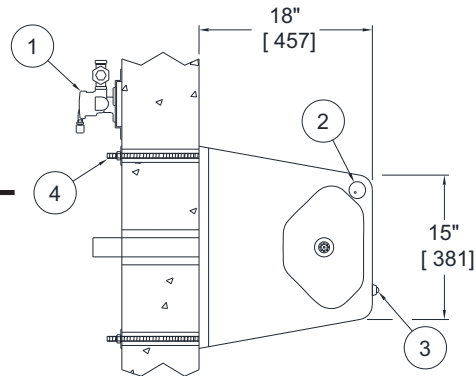
### LAVATORY WASTE OPTIONS

-LW1 Thru-Wall Waste Extension with P-Trap  
 -LWE Lavy Waste Extension (10" Standard)  
 Specify Length Beyond Fixture: \_\_\_\_\_

### PRODUCT OPTIONS

-EG Enviro-Glaze, Specify Color: \_\_\_\_\_  
 -MT Metal Template (Only 1 Required Per Project)  
 -SW Wall Sleeve  
 -VAC AcornVac System

Please visit [www.acorneng.com](http://www.acorneng.com) for most current specifications.



LR1672ADA-1-03

#### NOTES:

1. -03 Air-Control Valve
2. Hemispherical Drinking Bubbler
3. Hemispherical Pushbutton
4. Wall Mounting Hardware
5. Lavy Waste Outlet

**WARNING:** Cancer and Reproductive Harm - [www.P65Warnings.ca.gov](http://www.P65Warnings.ca.gov)

<b>Important:</b> Installation instructions and current rough-in are furnished with each fixture. Do not rough in without certified dimensions. <small>Dimensions are subject to manufacturer's tolerance of plus or minus 1/4" and change without notice. Acorn assumes no responsibility for use of void or superseded data. © Copyright 2009 Acorn Engineering Company</small>	
<p style="text-align: center;">Selection Summary</p> <p>Model No. &amp; Option _____</p> <p>Quantity _____</p>	<p style="text-align: center;">Approved for Manufacturing</p> <p>Company _____ Title _____</p> <p>Signature _____ Date _____</p>