



## Secur-Care® - Ligature Resistant LR1730 Series

Ligature Resistant Cabinet Shower



**CONTROLS**  
INSIDE

LR1730-WCB-SHL-03-M

Fixture May Show Some Available Options

Please visit [www.acorneng.com](http://www.acorneng.com) for most current specifications

### Ligature Resistant Cabinet Shower

**Cabinet** is fabricated of heavy gage type 304 stainless steel. Construction is seamless welded. Exposed sides of the exterior and the interior, except the shower floor, have a satin finish. Shower Floor has a slip-resistant, matte finish. Drain includes Ligature-Resistant Baffle. Fixture requires wall openings and an accessible chase for installation and maintenance. Optional Wall Sleeve or Metal Template is recommended for all installations for required wall openings.

**Shower Floor** has stainless steel reinforcing. Standard Elbow Waste is 2-3/8" O.D. Plain End.

**Valve** is a pneumatically operated, Hemispherical Pushbutton Air-Control Valve using atmospheric air. Hemispherical Pushbutton is Vandal-Resistant and requires less than 5 pounds to activate Valve. Valve is metering, non-hold open type. Valve timing is adjustable from 5 to 60 seconds. Valve includes a 1.6 GPM flow restrictor and can be remotely located up to 10 feet from the operating Pushbutton. Valve conforms with Lead-Free requirements of NSF61, Section 9.

**Conical Showerhead** and Hemispherical Pushbutton Escutcheon are stainless steel. The Acorn Conical Showerhead is factory installed on the inside of door jamb with concealed piping to the chase wall. Piping from the chase wall to the Valve is furnished loose for field installation.

**Regularly Furnished** items include a metering Air-Control valve, a Tapered Collapsible Towel Hook bolted on the outside of door jamb, Ligature-Resistant Drain and wall Mounting Hardware.

#### GUIDE SPECIFICATION

Provide and install Secur-Care® - Ligature-Resistant Cabinet Shower (specify model number and options). Cabinet shall be one piece, heavy gage type 304 stainless steel. All seams shall be continuously welded. Exposed surfaces shall have a satin finish, except the Shower Floor, which shall have a slip-resistant, matte finish. Drain includes Ligature-Resistant Baffle. Conical Showerhead shall be mounted on inside of door jamb with concealed piping to the chase wall. Valve shall be Air-Control metering type. Collapsible Towel Hook shall also be bolted on the outside of the entry with blind bolts. Cabinet Shower shall be installed in accordance with manufacturers recommendations.

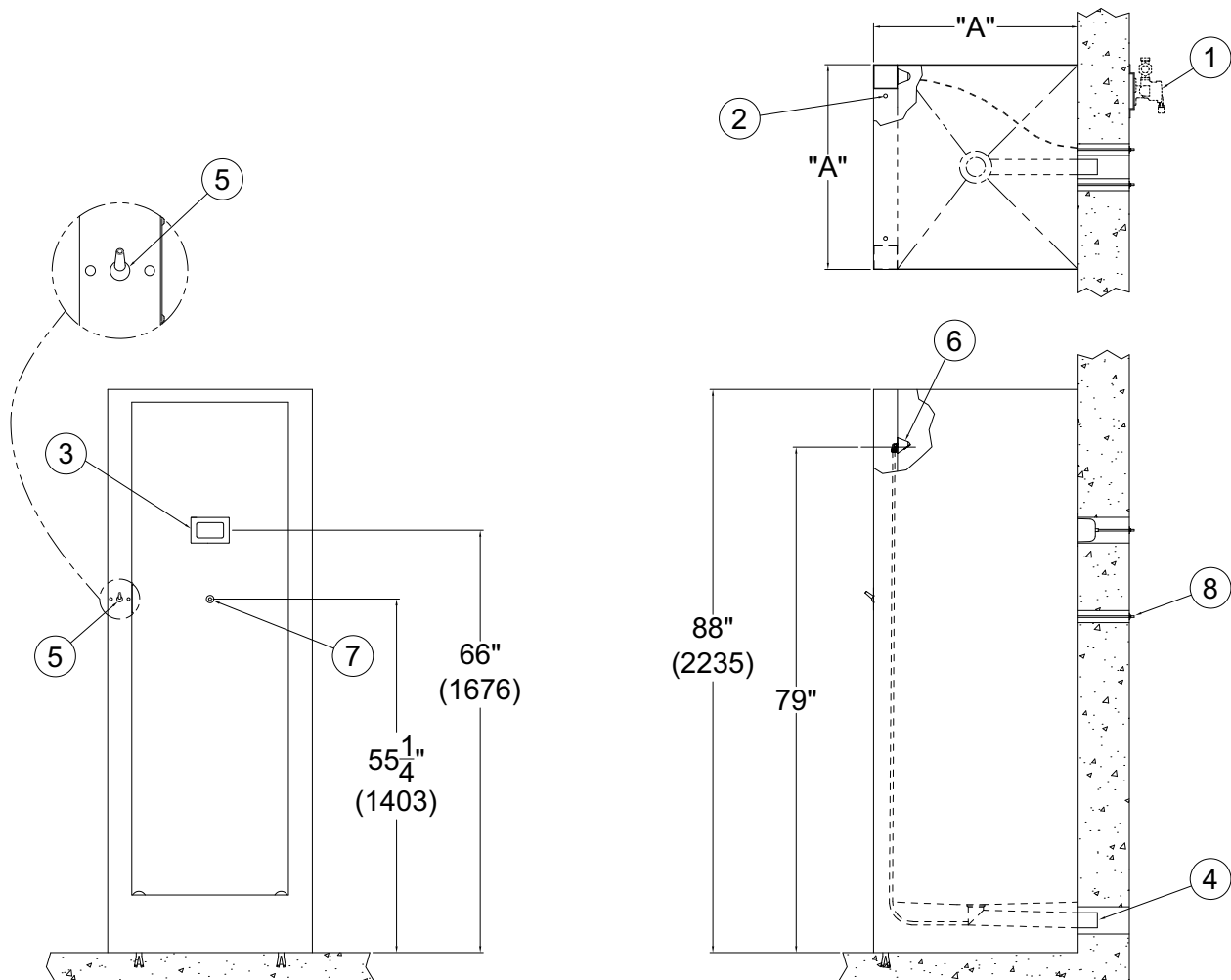
**Secur-Care® - Ligature Resistant: LR1730**  
Cabinet Shower



**NOTES:**

1. Optional -03-M Air-Control Valve Shown
2. Optional -TA Threshold Anchors Shown
3. Optional -RD Ligature Resistant Soap Dish
4. Elbow Waste Outlet
5. Collapsible Towel Hook
6. Conical Showerhead
7. Hemispherical Pushbutton
8. Wall Mounting Hardware

MODEL NO.	"A"
LR1730	30"
LR1732	32"
LR1736	35-3/4"



**LR1730-WCB-SHL-03-M**

# Secur-Care® - Ligature Resistant: LR1730

## Cabinet Shower



### BASE MODEL NUMBER

- LR1730 30" x 30" Ligature Resistant Cabinet Shower
- LR1732 32" x 32" Ligature Resistant Cabinet Shower
- LR1736 36" x 36" Ligature Resistant Cabinet Shower

### WALL THICKNESS AND TYPE (Must Specify)

Thickness: \_\_\_\_\_ Type:  Concrete  Block  Steel

### CHASE WALL OUTLET (Must Specify)

- WCB Back Wall
- WCL Left Wall
- WCR Right Wall

### POLISHED EXTERIOR WALLS (Must Specify)

- PWB Polished Exterior Wall Back
- PWL Polished Exterior Wall Left
- PWR Polished Exterior Wall Right
- PWN Polished Exterior Wall None

### SHOWERHEAD LOCATION (Must Specify)

- SHL Showerhead Left Column
- SHR Showerhead Right Column

### MODEL NUMBER AND OPTIONS SELECTION

#### VALVE SELECTION (Must Specify)

##### Air-Trol (Pneumatic)

- 03-M Single Temp, Metering
- 04-M Hot & Cold, Metering

##### T/P Mixing Valve (SV16)

- 8 ASSE 1016 Compliant T/P Temperature/ Pressure Balancing Mixing Valve w/ Patented ADA Compliant Ligature Resistant Tri-Lever Handle (Chase Wall Only)
- 8MV ASSE 1016 Compliant T/P Temperature/ Pressure Balancing Mixing Valve w/ Single Temp Metering Valve & Patented ADA Compliant Ligature Resistant Tri-Lever Handle (Chase Wall Only)

##### Master-Trol (Electronic)

- EVS1 Single Temp
- EVS2 Hot & Cold
- EVSP1 Single Temp, Piezo Button
- EVSP2 Hot & Cold, Piezo Buttons

##### Master-Trol PLUS (Electronic)

- MTP1 Single Temp
- MTP2 Hot & Cold
- MTPP1 Single Temp, Piezo Button
- MTPP2 Hot & Cold, Piezo Buttons

##### Time-Trol (Electronic)

- MVC1 Single Temp
- MVC2 Hot & Cold

##### Programmable (Electronic) w/9VDC Plug-In Transformer

- PPZ1 Single Temp Programmable Piezo Button
- PPZ2 Hot & Cold Programmable Piezo Button

##### Valve By Others

N/A

### VALVE OPTIONS

- BRS Brass Body Valve
- MA2 Manifolder, 2-Stack
- TF Transformer, 120VAC to 24VAC (-MVC option only)

### SHOWERHEAD OPTIONS

- F Flow Control, Must Specify:
  - 2.0 GPM (Not Available For Use in California)

### WASTE OPTIONS

- IC Inside Caulk Waste
- PT Integral P-Trap Waste
- TW1 Thru-Wall Waste Connection with P-Trap & Cleanout

### PRODUCT OPTIONS

- EG Enviro-Glaze, Specify Color: \_\_\_\_\_
- FG 14 Gage Cabinet
- MT Metal Template (Only 1 Required Per Project)
- RD Recessed Soap Dish
- SR Shower Receptor
- SW Wall Sleeve
- TA Threshold Anchors

### CLOSURE PANELS (Must Specify)

**\*\*Refer to Installation Drawings 9925-117-001 and 9925-119-001 For Details Required**

- None No Closures Required

**\*\*If Closures Are Required Type Must Be Specified Below**

- Provide at Later Date (Dimensions to Follow)
- Provide With Cabinet
- CHV Horizontal & Vertical Closure
  - AL  -AR  -C  -L  -R  -TF
- HAC Horizontal & Angled Closure(s)
  - AL  -AR  -TSW
- STC Sloping Top Closure

Please visit [www.acorneng.com](http://www.acorneng.com) for most current specifications

**WARNING:** Cancer and Reproductive Harm - [www.P65Warnings.ca.gov](http://www.P65Warnings.ca.gov)

<b>Important:</b> Installation instructions and current rough-in are furnished with each fixture. Do not rough in without certified dimensions. Dimensions are subject to manufacturer's tolerance of plus or minus 1/4" and change without notice. Acorn assumes no responsibility for use of void or superseded data. © Copyright 2006 Acorn Engineering Company	
<p style="text-align: center;">Selection Summary</p> <p>Model No. &amp; Option _____</p> <p>Quantity _____</p>	<p style="text-align: center;">Approved for Manufacturing</p> <p>Company _____ Title _____</p> <p>Signature _____ Date _____</p>