



## Secur-Care® - Ligature Resistant LR1748 Series

Ligature Resistant - Wall Shower



LR1748-MV

Fixture May Show Some Available Options

- Patented D697,591
- Patent Pending

Please visit [www.acorneng.com](http://www.acorneng.com) for most current specifications.

### Ligature Resistant - Wall Shower

**Shower** is arranged to be installed onto finished wall and serviced from an accessible pipe chase. Optional Wall Sleeve or Metal Template is recommended for all installations for required wall openings. Fixture is fabricated from 14 gauge, type 304 stainless steel with exterior surfaces polished to a #4 satin finish.

**Conical Showerhead** is chrome-plated brass, and is Ligature-Resistant. The spray pattern is non-adjustable.

**Valve** is an ASSE 1016 compliant T/P Temperature/Pressure Balancing Mixing Valve with Patented Tri-Lever Handle. Valve automatically mixes hot and cold water to deliver blended water within a specific range and meets the stringent performance criteria for Temperature and Pressure changes defined by ASSE 1016. Valve includes a 1.6 GPM flow restrictor and can be remotely located up to 10 feet from the operating Pushbutton. Valve conforms with lead free requirements of NSF61, Section 9.

**Optional Metering Valve** in riser is a pneumatically operated Pushbutton, Air-Control Valve using atmospheric air. Pushbutton is Vandal-Resistant and requires less than 5 pounds of force to activate Valve. Valve is metering, non-hold open type. Valve timing is adjustable from 5 to 60 seconds. Valve conforms with the Lead-Free requirements of NSF61, Section 9.

**Regularly furnished** items include a Conical Showerhead, T/P Temperature/Pressure Balancing Mixing Valve and Mounting Hardware.

#### GUIDE SPECIFICATION

Provide and install Secur-Care® - Ligature-Resistant Wall Shower (specify model number and options). Shower Panel shall be fabricated from 14 gauge, type 304 stainless steel and shall have a #4 satin finish. Trim shall be stainless steel or chrome-plated brass. Shower Valve shall be ASSE 1016 T/P Temperature/Pressure Balancing Mixing Valve with Patented Tri-Lever handle. Fixture shall be furnished with necessary fasteners for proper installation.

# Secur-Care® - Ligature Resistant: LR1748

## Ligature Resistant Wall Shower



### WALL THICKNESS AND TYPE (Must Specify)

Thickness: \_\_\_\_\_ Type:  Concrete  Block  Steel

### MODEL NUMBER AND OPTIONS SELECTION:

#### BASE MODEL NUMBER

LR1748 Ligature Resistant Wall Shower

#### METERING RISER VALVE OPTIONS

- MV Metering Valve, Air-Control Metering
- MV-EVSP1 Metering Valve, Electronic Valve System, Piezo Button
- MV-MTPP1 Metering Valve, Electronic Valve System PLUS, Piezo Button
- MV-MVC1 Metering Valve, Time-Trol
- MV-PPZ1 Metering Valve, Programmable Piezo Button

#### VALVE OPTIONS

- BRS Brass Body Valve
- TF Transformer, 120VAC to 24VAC (-MVC option only)

#### SHOWERHEAD OPTIONS

- F Flow Control, Must Specify:
  - 2.0 GPM (Not Intended For Use in California)

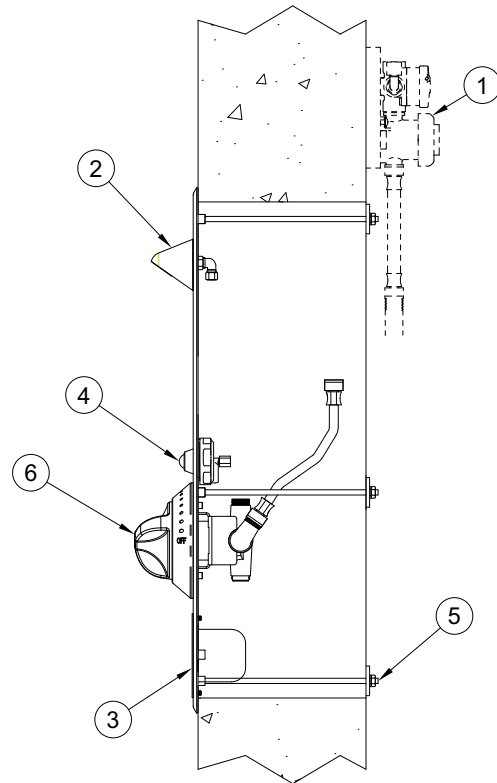
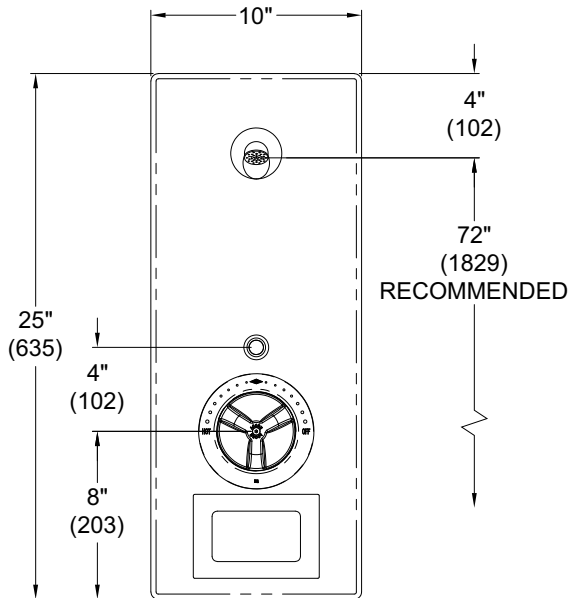
#### PRODUCT OPTIONS

- EG Enviro-Glaze, Specify Color: \_\_\_\_\_
- LRD Less Recessed Soap Dish
- MT Metal Template (Only 1 Required Per Project)
- SW Wall Sleeve

Please visit [www.acorneng.com](http://www.acorneng.com) for most current specifications.

#### NOTES:

1. -03-M Air-Control Valve
2. Conical Showerhead
3. Recessed Soap Dish
4. Hemispherical Pushbutton
5. Wall Mounting Hardware
6. T/P Temp. Press. Balancing Mixing Valve w/ Vandal and Ligature Resistant Tri-Lever Handle



**LR1748-MV**

**WARNING:** Cancer and Reproductive Harm - [www.P65Warnings.ca.gov](http://www.P65Warnings.ca.gov)

<b>Important:</b> Installation instructions and current rough-in are furnished with each fixture. Do not rough in without certified dimensions. <small>Dimensions are subject to manufacturer's tolerance of plus or minus 1/4" and change without notice. Acorn assumes no responsibility for use of void or superseded data. © Copyright 2009 Acorn Engineering Company</small>	
<p style="text-align: center;">Selection Summary</p> <p>Model No. &amp; Option _____</p> <p>Quantity _____</p>	<p style="text-align: center;">Approved for Manufacturing</p> <p>Company _____ Title _____</p> <p>Signature _____ Date _____</p>