



Terrazzo-Ware® Shower Base - Wheelchair Accessible Series



SBWA-6048-3F

Fixture May Show Some Available Options

Please visit www.acorneng.com for most current specifications.

Wheelchair Accessible Shower Base

Shower Base is an attractive, easy to maintain, spacious shower receptacle. It is designed for durability and ease of installation. With its integral threshold, it addresses the needs of the physically disabled. **ACORN Terrazzo-Ware®** precast shower bases provide flexibility in configuration and size as required by the design of the building and the specific installation. Custom sizes and colors are also available.

Integral Ramp Threshold provides an attractive entry into the shower. The 12" wide 9° sloped threshold is designed with a 6" wide stainless steel cap for protection. We recommend a floor drain be provided by others near the entrance. The sides and rear of the fixture come with galvanized tiling flanges that extend 1½" above the shoulders.

Construction is one-piece, precast terrazzo composed of marble chips cast in Portland cement to provide a compressive strength of at least 3,000 PSI seven days after casting. The shower base surface is provided with slip-resistant bathing surface and sealed for years of service. Shoulders are 6" high and pitched to provide drainage.

Integral Drain is supplied with a removable, stainless steel grid strainer and provides for an inside caulk connection to a 2" pipe. The shower base has coved corners and is sloped to the drain outlet to provide positive drainage. A vandal resistant strainer is optionally available.

Compliance Standards: Terrazzo Shower Bases have Third Party Certification of conformance with CSA B45.8/IAPMO Z403 Terrazzo, Concrete and Natural Stone Plumbing Fixtures which includes specific provision for Slip Resistance (Section 4.4.4) and Referenced Standard ASTM F462 Standard Consumer Safety Specification for Slip-Resistant Bathing Facilities.

GUIDE SPECIFICATION

Provide and install an **ACORN Non ADA Compliant Wheelchair Accessible Shower Base** (specify model number and options). Shower Base shall have a stainless steel covered cap on a integral ramp threshold. Shower Base shall be made of precast terrazzo to produce a compressive strength of not less than 3,000 PSI seven days after casting. Base shall be provided with slip-resistant bathing surface and sealed. No air holes or pits shall be allowed on the finished surface. Base shall have coved corners and be sloped to the drain outlet for positive drainage. Integral drain shall have a stainless steel strainer and provide for an inside caulk connection to a 2" pipe. The manufacturer will provide to the installer the necessary installation instructions.

Terrazzo-Ware®: Shower Base-Wheelchair Accessible Series



BASE MODEL

SIZE & TYPE (must specify)

SQUARE

- SBWA-36-3F** 36" Square Terrazzo Wheel Chair Accessible Shower Base, Three Side Flanged
- SBWA-48-3F** 48" Square Terrazzo Wheel Chair Accessible Shower Base, Three Side Flanged
- SBWA-60-3F** 60" Square Terrazzo Wheel Chair Accessible Shower Base, Three Side Flanged

RECTANGULAR

- SBWA-6048-3F** 60" x 48" Rectangular Terrazzo Wheel Chair Accessible Shower Base, Three Side Flanged

SUFFIX OPTIONS

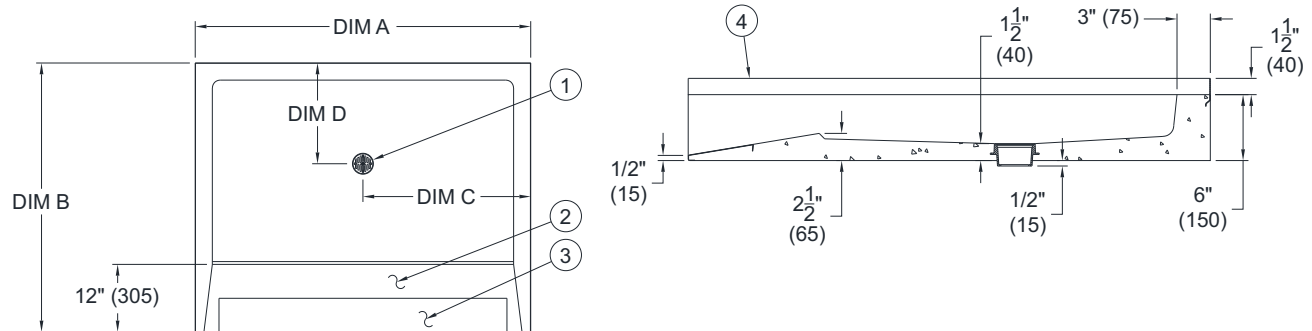
- OCT Optional Colors
<https://www.acorneng.com/terrazzo-colors>
- VRS Vandal Resistant Strainer

ACCESSORIES

- KDG2 Rubber Drain Gasket for 2" Waste Pipe

Please visit www.acorneng.com for most current specifications.

MODEL NUMBER	TYPE	SIZES/DIMENSIONS			
		A - LENGTH	B-WIDTH	C	D
SBWA-36-3F	SQUARE	36" (915)	-	18" (455)	12" (305)
SBWA-48-3F	SQUARE	48" (1220)	-	24" (610)	18" (455)
SBWA-60-3F	SQUARE	60" (1525)	-	30" (760)	24" (610)
SBWA-6048-3F	RECTANGULAR	60" (1525)	48" (1220)	30" (760)	18" (457)



TERRAZZO-WARE WHEELCHAIR ACCESSIBLE SERIES CORNER SHOWER BASES

NOTE:

- 1. Integral Drain with Removable Grid Strainer. Drain provides an inside caulk connection to 2" Pipe
- 2. Ramp
- 3. Stainless Steel Ramp Guard
- 4. Tiling Flange

WARNING: Cancer and Reproductive Harm - www.P65Warnings.ca.gov

<p>Important: Installation instructions and current rough-in are furnished with each fixture. Do not rough in without certified dimensions. Dimensions are subject to manufacturer's tolerance of plus or minus 1/4" and change without notice. Acorn assumes no responsibility for use of void or superseded data. © Copyright 2003 Acorn Engineering Company</p>	
<p style="text-align: center;">Selection Summary</p> <p>Model No. & Option _____</p> <p>Quantity _____</p>	<p style="text-align: center;">Approved for Manufacturing</p> <p>Company _____ Title _____</p> <p>Signature _____ Date _____</p>