



Wash-Ware® 3401ES Series

Elliptical Contoured Base Models - 1, 2 or 3 Stations



3403ES-1-H

Fixture May Show Some Available Options

Please visit www.acorneng.com for most current specifications.

Elliptical Contoured Base Models - 1, 2 or 3 Stations

Bowl is 14 gage type 304 stainless steel with satin finish and has an integral backsplash and sprayhead. Mounting channel securely anchors the backsplash to the wall. Sprayhead has self-draining, air-circulating soap holders.

Standard Housing is a contoured pedestal fabricated of 16 gage, type 304 stainless steel with satin finish. Housing includes a flush mounted access cover for easier installation and servicing of unit.

-1 Off-Floor Fixtures are ADA Compliant. Off-floor sensor and hand-operated units conform to ANSI, UFAS and ADA requirements for accessibility. Compliance is subject to the interpretation and requirements of the local code authority.

Sectional Control is standard. One pushbutton or sensor actuates one station.

Hand Pushbuttons (suffix option -H) operate metering non-hold open Air-Control Valves and can be field set for flow ranging from 5 to 60 seconds.

Programmable Piezo Button (suffix option -PPZ) includes individual solenoid valves activated by Piezo button. Button(s) have a default 8 second metered flow, but can be programmed for additional time on site. A low voltage transformer is provided.

Electronic Sensor Operation (suffix option -SO) includes individual solenoid valves activated by infrared sensors. Sensor operation provides 30 seconds of flow once activated. A low voltage transformer is provided.

Spray Nozzles are vandal-resistant and provide a concentrated 0.5 GPM spray at each station.

Hot & Cold Supplies are blended in an ASSE 1070 compliant temperature/pressure balancing mixing valve with integral checks and strainers. A minimum of 30 PSI supply pressure is required.

Waste Connection is a 1-1/2" OD x 4" tailpiece.

GUIDE SPECIFICATION

Provide and install Acorn Washfountain (specify model number and options) factory pre-assembled, with individual sectional control. Bowl shall be 14 gage stainless steel and shall have an integral backsplash with vandal-resistant spray nozzle(s) and 0.5 GPM flow control(s). Provide self-draining, air-circulating soap holders on top of sprayhead. On-Floor and Off-Floor Models shall have backsplash and housing framework anchored to wall. The wall shall be structurally reinforced to support the fixture. Standard base On-Floor Models shall have additional floor anchoring. Provide an ASSE 1070 compliant temperature/pressure balancing mixing valve with integral checks and strainers in H & C supply and field set water temperature at 105 degree Fahrenheit. When hand operated non-hold open metering valves are specified, timing cycle shall be field set for approximately (specify) seconds. Off-floor units to conform to ANSI, UFAS and ADA requirements for accessibility.

Wash-Ware®: 3401 Elliptical Contoured Models -1, 2, or 3 Stations



MODEL NUMBER AND OPTIONS SELECTION

BASE MODEL NUMBERS (Must Specify)

- 3401-ES Elliptical with Contoured Base, One Station
- 3402-ES Elliptical with Contoured Base, Two Station
- 3403-ES Elliptical with Contoured Base, Three Station

FIXTURE MOUNTING AND WASTE (Must Specify)

(1-1/2" OD Tailpiece Provided Standard)

- 1 Off-Floor, Wall Outlet, ADA Compliant
- 2 On-Floor, Wall Outlet

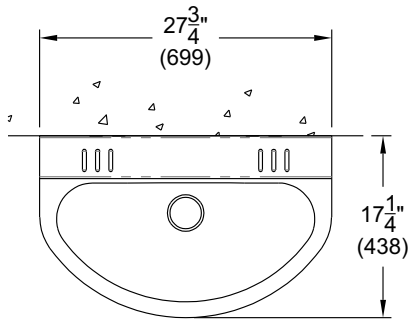
OPERATION (Must Specify)

- H Hand Operation
- PPZ Programmable Piezo button Electronic Metering
- SO Sensor Operation
- SO-BAT Sensor Operation (Batteries Not Included)

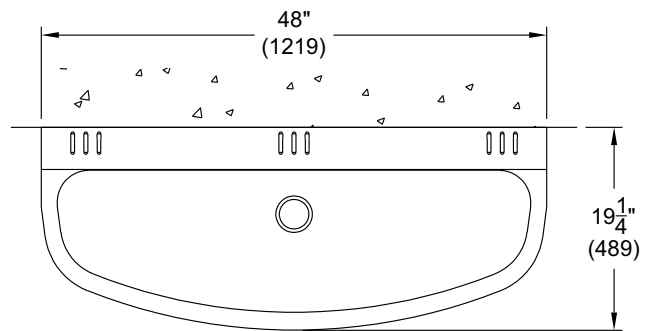
PRODUCT OPTIONS (Must Specify)

- EG Enviro-Glaze Color, Bowl and Sprayhead
Specify: _____
- HB Hose Bibb, Specify: Left Side Right Side
- JH30 30" Junior Rim Height
(-2 On-Floor Models Only, Not ADA Compliant)
- ST Single Temperature Valve

Please visit www.acorneng.com
for most current specifications.



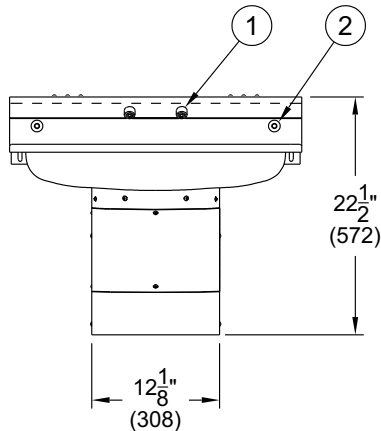
3401ES/3403ES



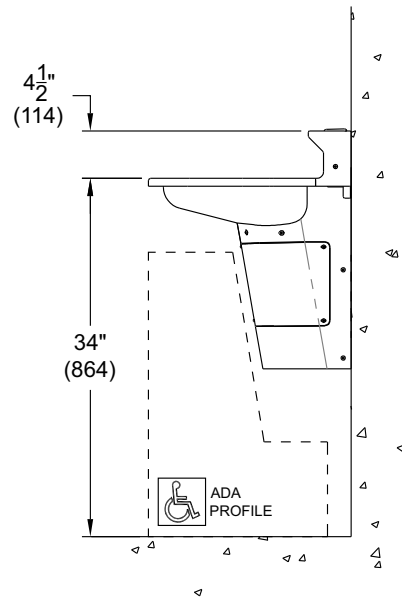
3403ES

NOTES:

1. Spray Nozzle.
2. -H Pushbutton.



3402ES-1-H



WARNING: Cancer and Reproductive Harm - www.P65Warnings.ca.gov

<p>Important: Installation instructions and current rough-in are furnished with each fixture. Do not rough in without certified dimensions. Dimensions are subject to manufacturer's tolerance of plus or minus 1/4" and change without notice. Acorn assumes no responsibility for use of void or superseded data. © Copyright 2006 Acorn Engineering Company</p>	
<p style="text-align: center;">Selection Summary</p> <p>Model No. & Option _____</p> <p>Quantity _____</p>	<p style="text-align: center;">Approved for Manufacturing</p> <p>Company _____ Title _____</p> <p>Signature _____ Date _____</p>