



Hose & Supply Boxes 8180 Series

Stainless Steel Recessed Supply and Waste Hose Box



8185-SSLF

Fixture May Show Some Available Options

Please visit www.acorneng.com for most current specifications.

Stainless Steel Recessed Supply and Waste Hose Box - Lead Free

Stainless Steel Recessed Supply and Waste Hose Boxes are CUPC® certified by IAPMO for U.S. and Canada. Boxes are designed for attractive service in homes and institutions for washing machine supply and waste. In hospitals, they are used with heart-lung, laser, and similar machines. In these applications, the water is used for heating or cooling and then discharged into the drain. Recessed design prevents accidents which are common to surface-mounted boxes or protruding hose valves.

Hose Box is fabricated from 18 gage, type 304 stainless steel and all seams are continuous welded. Interior is polished to a satin finish. Four stainless steel clips are furnished for anchoring to the wall construction. Wall flange is 16 gage stainless steel and polished to a satin finish. Flange is furnished with four corner tappings and screws for anchoring to box.

-SSLF Valve and Stop Body are stainless steel, lead free design and provide a rough finish, cast stainless steel valve body, stainless steel stop assembly, stainless steel lockshield cartridge to meet the lead free requirements where the wetted surfaces contain less than 0.25% lead. Valve and Stop feature tamper-resistant lockshield bonnets and replaceable cartridges containing all wearing parts including the seat. The valve and stop body casting is gasketed where it joins the box and is securely anchored with stainless steel tamper-resistant screws. Supply inlet is 3/4" NPT female. Outlet is 3/4" male hose thread. On models that include vacuum breakers, a lead-free brass Vacuum Breaker with rough chrome plate finish is provided.

Waste Fitting is cast bronze with rough chrome finish and is securely bolted to the box. It will slip 2" SPS and is furnished with Permaseal for waterproofing. The waste piping must include P-trap and be vented in accordance with local code.

Screwdriver Stop in supply permits servicing the control valve without shutting down the water supply. Vacuum breaker models prevent contamination of the potable water supply. Vacuum breakers are atmospheric type and conform to the requirements of ASSE Standard 1011. Check local code authority for vacuum breaker requirements.

GUIDE SPECIFICATION

Provide and install Acorn Recessed Supply and Waste Hose Box model (specify model number). Box shall be fabricated from 18 gage, type 304 stainless steel with satin finish. Valve shall be stainless steel, lead free cartridge-operated type with vandal-resistant lockshield and screwdriver operated stop.

Hose & Supply Boxes 8180 Stainless Steel Recessed Supply and Waste Hose Box



BASE MODEL NUMBER (Must Specify)

PRODUCT OPTIONS
(None)

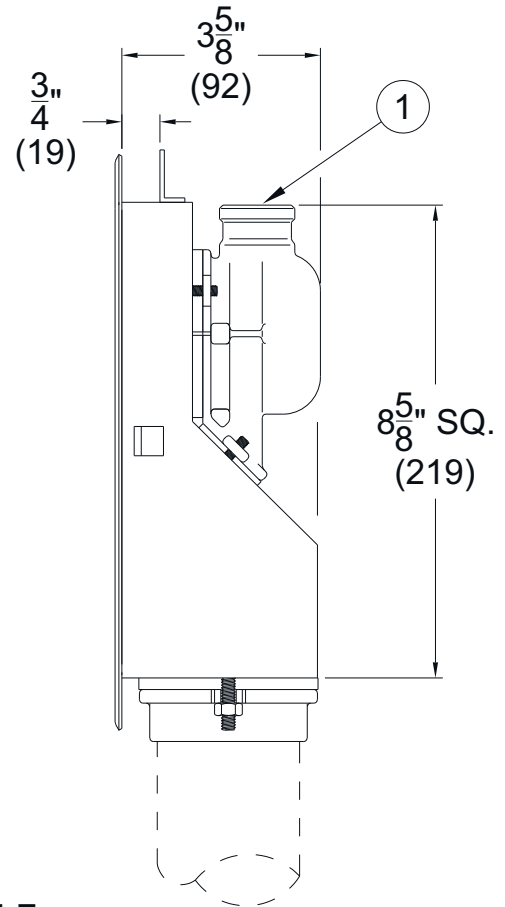
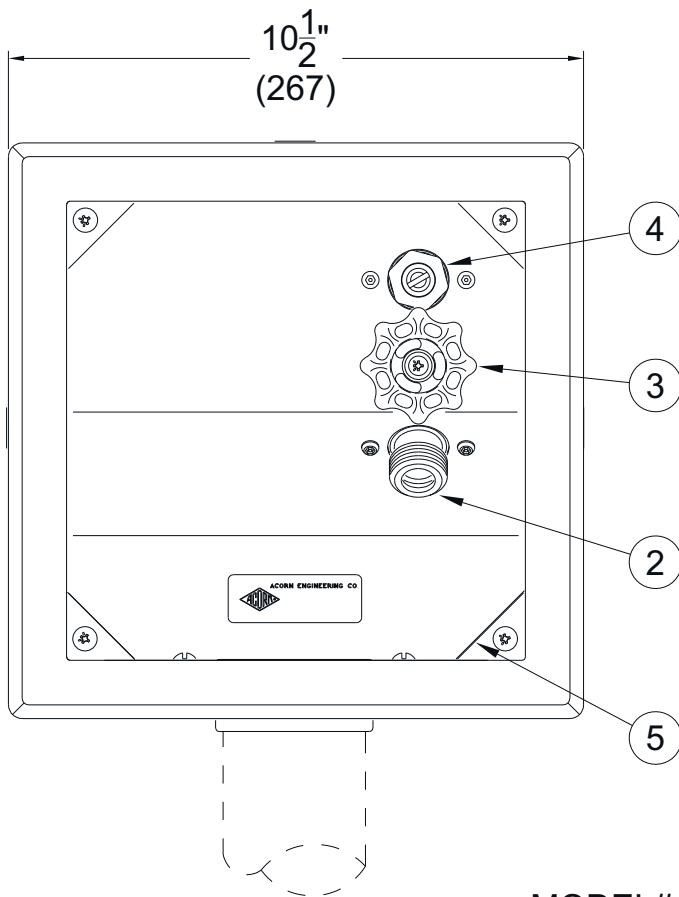
**LEAD FREE STAINLESS STEEL RECESSED HOSE BOX
SINGLE TEMP**

- 8180-SSLF Single Temperature Less Vacuum Breaker
- 8181-SSLF Single Temperature With Vacuum Breaker

**LEAD FREE STAINLESS STEEL RECESSED HOSE BOX
HOT AND COLD**

- 8185-SSLF Hot & Cold Less Vacuum Breaker
- 8186-SSLF Hot & Cold With Vacuum Breaker

Please visit www.acorneng.com
for most current specifications.



MODEL# 8180-SSLF

NOTES:

1. Supply Connection.
2. Hose Connection.
3. Wheel Handle (Removable).
4. Screwdriver Stop.
5. Anchor Clips.

WARNING: Cancer and Reproductive Harm - www.P65Warnings.ca.gov

<p>Important: Installation instructions and current rough-in are furnished with each fixture. Do not rough in without certified dimensions. Dimensions are subject to manufacturer's tolerance of plus or minus 1/4" and change without notice. Acorn assumes no responsibility for use of void or superseded data. © Copyright 2006 Acorn Engineering Company</p>	
<p style="text-align: center;">Selection Summary</p> <p>Model No. & Option _____</p> <p>Quantity _____</p>	<p style="text-align: center;">Approved for Manufacturing</p> <p>Company _____ Title _____</p> <p>Signature _____ Date _____</p>