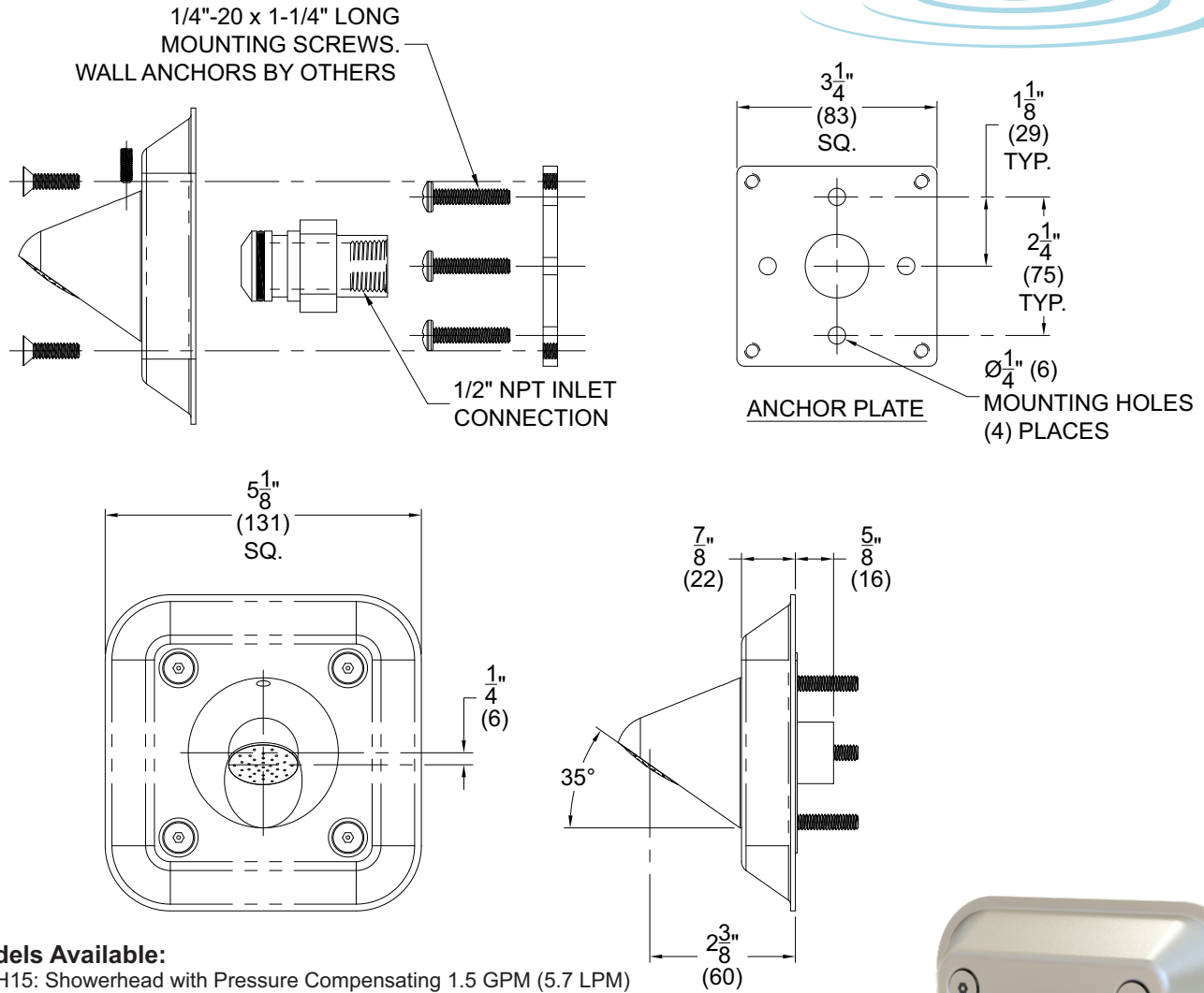


Model SV16 Accessories



-CSH CONICAL SHOWERHEAD



Models Available:

- CSH15: Showerhead with Pressure Compensating 1.5 GPM (5.7 LPM) Flow Control
- CSH25: Showerhead with Pressure Compensating 2.5 GPM (9.5 LPM) Flow Control

Product Details

Description	Conical Showerhead, Fixed Spay Pattern, Non-Adjustable
Material	Spray Head - Brass Anchor Plate - Stainless Steel Escutcheon - Stainless Steel
Finish	High Polished Chrome Satin Finish - Stainless Steel



WARNING: Cancer and Reproductive Harm - www.P65Warnings.ca.gov

Acorn Controls assumes no responsibility for use of void or superseded data. © Copyright Acorn Controls, City of Industry, CA, Division of Acorn Engineering Company, a member of Morris Group International. Please visit www.acorneng.com or most current specifications.

Submittal # **-CSH**
Revised: 08/06/18



Est. 1954
ACORN ENGINEERING COMPANY
Manufacturer of Engineered Products

Member of Morris Group International™

ACORN ENGINEERING COMPANY
P.O. BOX 3527
City of Industry, CA
91744, U.S.A.
Phone 800-488-8999
626-336-4561
Fax 626-961-2200
www.acorneng.com