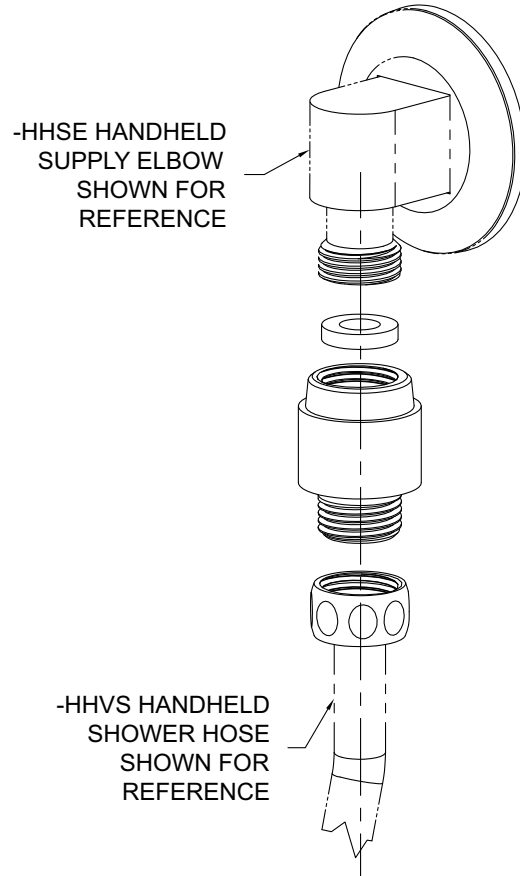
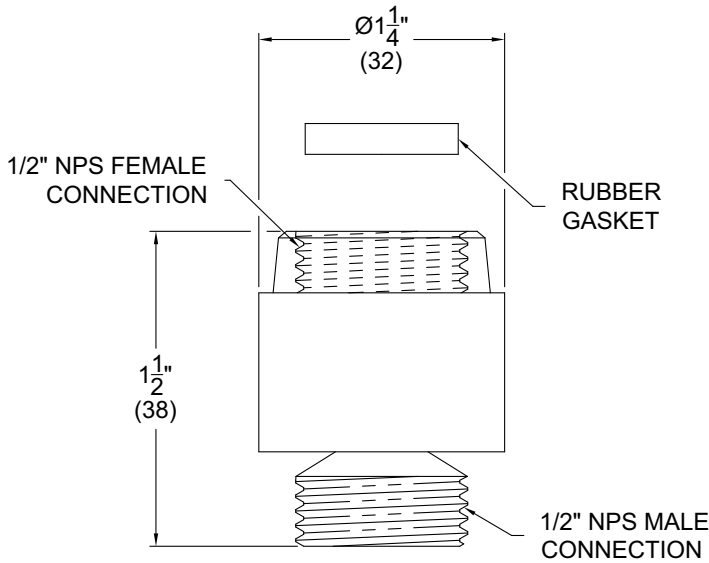
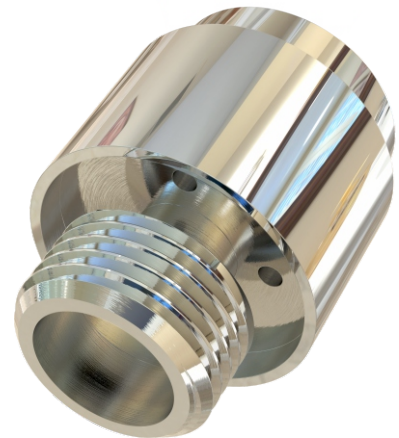


Model SV16 Accessories

-IVB INLINE VACUUM BREAKER



NOT TO SCALE



Product Details

- Description Inline Vacuum Breaker
- Material Brass
- Finish High Polished Chrome

⚠ WARNING: Cancer and Reproductive Harm - www.P65Warnings.ca.gov

Acorn Controls assumes no responsibility for use of void or superseded data. © Copyright Acorn Controls, City of Industry, CA, Division of Acorn Engineering Company, a member of Morris Group International. Please visit www.acorneng.com or most current specifications.

Submittal # **-IVB**
Revised: 08/06/18



Est. 1954
ACORN ENGINEERING COMPANY
Manufacturer of Engineered Products

Member of Morris Group International™

ACORN ENGINEERING COMPANY
P.O. BOX 3527
City of Industry, CA
91744, U.S.A.
Phone 800-488-8999
626-336-4561
Fax 626-961-2200
www.acorneng.com