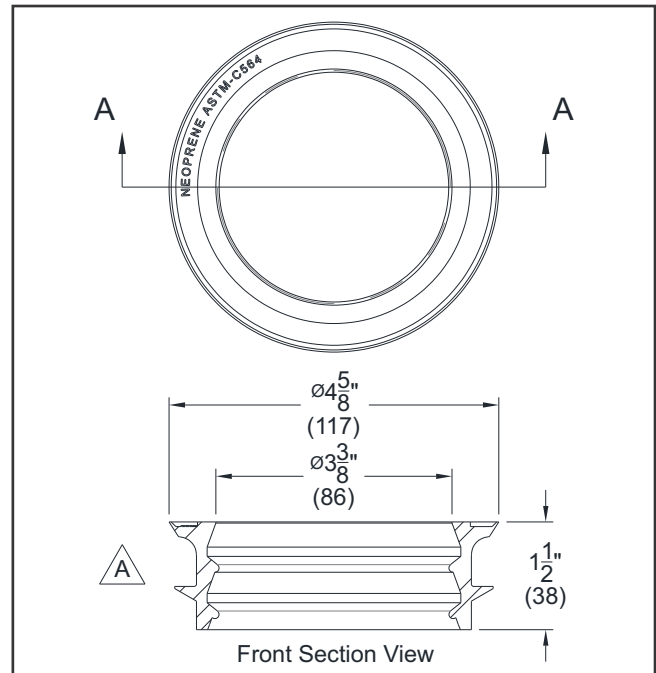




## Option -KDG3



### Drain Gasket 3" -

Compression sealing, flexible PVC donut shaped ring drain gasket provides simple, quick connection with Inside Caulk (IC) or Inside Gasket (IG) waste outlet on mop sink to 3" drain DWV plastic, Sch. 40, steel or X.H. (extra-heavy) cast iron pipe. Requires no special tools gluing, threading or lead caulking.

(Note: When required, a comparable Drain Gasket may be available from a Commercial Plumbing Supplier. Installer shall determine suitability to accommodate job site conditions.)

Please visit [www.acorneng.com](http://www.acorneng.com) for most current specifications.

 WARNING: Cancer and Reproductive Harm - [www.P65Warnings.ca.gov](http://www.P65Warnings.ca.gov)

