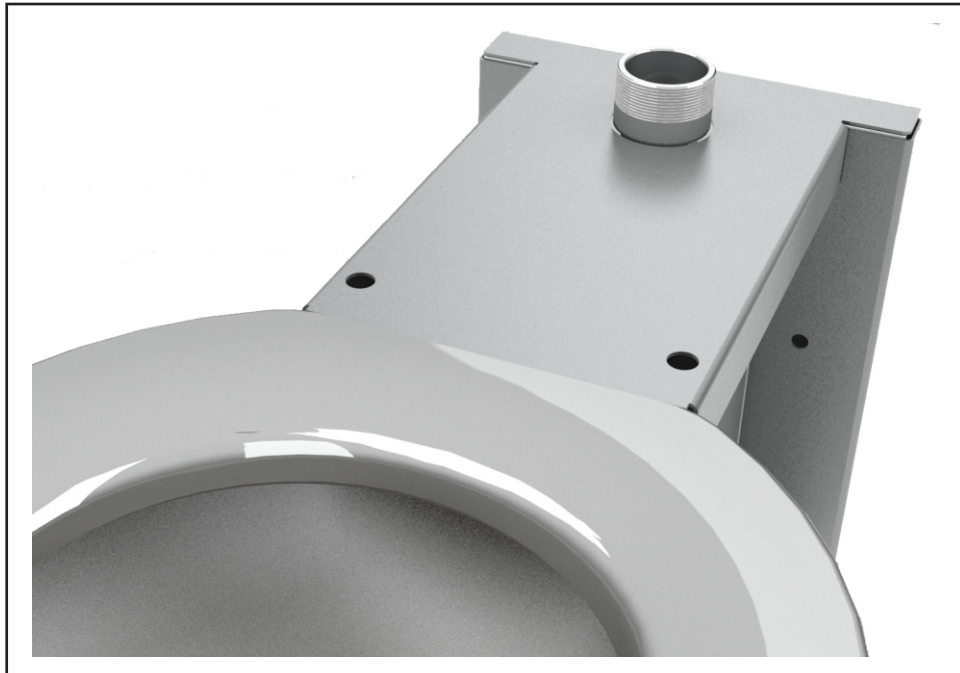




## Option -PFS



### Punching for Seat -

This option provides industry standard two hole punching for hinged toilet seats by others (two 1/2" diameter punching 5-1/2" on center for elongated seats).

Please visit [www.acorneng.com](http://www.acorneng.com) for most current specifications.

 WARNING: Cancer and Reproductive Harm - [www.P65Warnings.ca.gov](http://www.P65Warnings.ca.gov)

