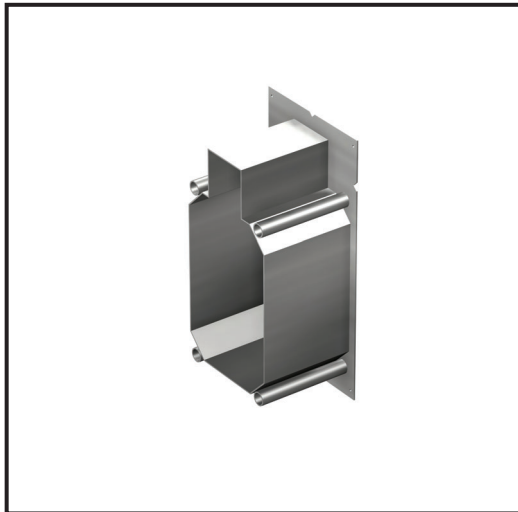




Option -SW Wall Sleeve



Typical Security Toilet Wall Sleeve



Typical Comby Wall Sleeve

IMPORTANT: Wall Sleeves are NOT intended for use with Framed Stud Wall, Truss Wall, or Steel Plate Wall construction types. When Stud Walls exist, wall openings and reinforcement created by framing and backing are most common. For Steel Plate walls, flame cutting is most effective to create Wall openings.

Wall Sleeves are not Fire Rated nor intended for integration with Fire Rated Walls. If Fire Rated Wall conditions exist, contact local Sales Representative for information on alternative design details.

OVERVIEW: The Acorn Wall Sleeve (-SW) is designed to provide the installer a fixture to serve as a form to provide and facilitate wall openings for plumbing rough-ins and fixture mounting locations. Wall Sleeves are intended to be installed with CMU (Concrete Block) or Poured (Concrete) Wall construction (only). Steel Rebar incorporated into the design, allow for the Sleeve to be grouted into place, becoming an integral part of the Block or Concrete Wall. Standard design Wall Sleeves however, may provide an opening in the Wall potentially large enough for an inmate to pass through when Plumbing Fixture is removed.

DETAILS: The galvanized steel Wall Sleeve design incorporates hemmed and flanged edges with Steel Rebars to provide stiffening and structural bracing to ensure the Sleeve maintain form and integrity given the weight of concrete loads directly above (Bracing is recommended during wall construction). The #4 (1/2" diameter) Steel Rebar extends beyond the sides of the Sleeve opening to allow for grouting into the CMU or poured concrete wall to become an integral part of the structure. When the sleeve is not available, walls may be constructed with block out openings to allow the sleeve to be grouted into place once walls are completed.

REAR MOUNT / ACCESSIBLE PLUMBING CHASE: The Wall Sleeve is commonly used when there is an accessible plumbing chase for completely mounting the Plumbing Fixture from the rear.

FRONT MOUNT / FRONT ACCESS: Wall Sleeves are also available for -FA Front Access Security Plumbing Fixtures when a furred wall providing a "Plumbing Space" exists, to allow access to make up plumbing rough-ins. The Front Access (-FA series unit) Wall Sleeve also provides an integral 1/2" UNC Threaded Anchor which allows an Installer to attach the Security Plumbing Fixture hardware to the Wall, from the front (Fixture side) through the removable Access Panels.

Refer to specific -SW Installation Instruction for dimensional data, block-out sizes and mounting heights.

Please visit www.acorneng.com for most current specifications.

WARNING: Cancer and Reproductive Harm - www.P65Warnings.ca.gov

