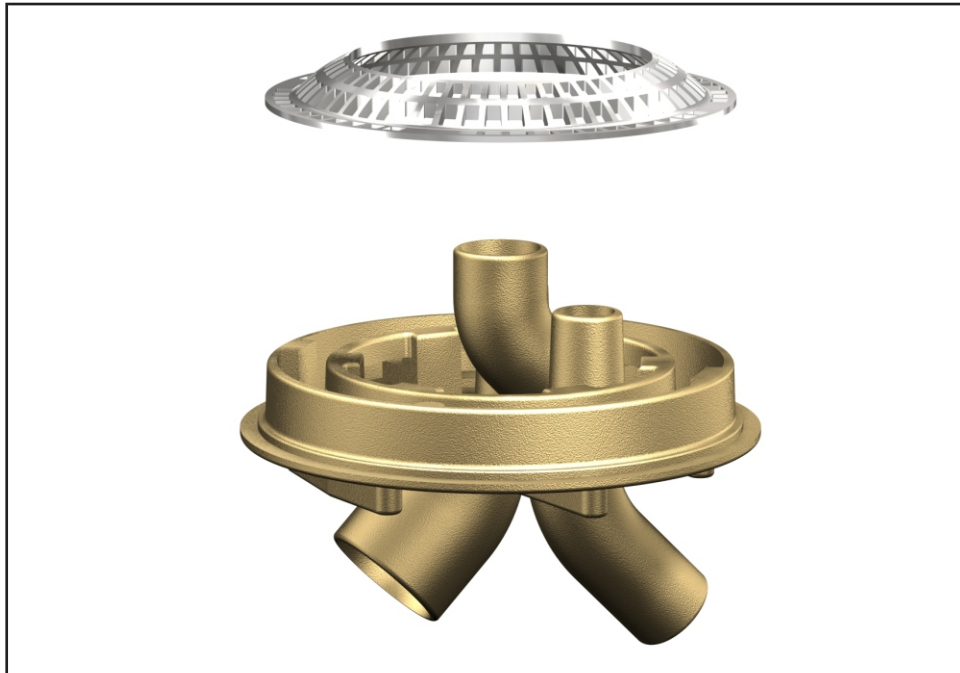




Option -T15



Shower Drain Base Top Supply with Dome Grate for Center Vent -

Provides a cast iron shower mounting base and drain for use with 600 and 700 series column showers. Center 2" IPS vent pipe connection and clamping collar, intended for use where vent line is to run vertically through column shower and vent connection is made at the drain fixture fitting. Drain includes a 3" no-hub outlet connection. Dome grate is chrome plated cast bronze and secures to clamping collar. Shower fixture may not be provided with drain opening punching at bottom of column.

Please visit www.acorneng.com for most current specifications.

⚠ WARNING: Cancer and Reproductive Harm - www.P65Warnings.ca.gov

