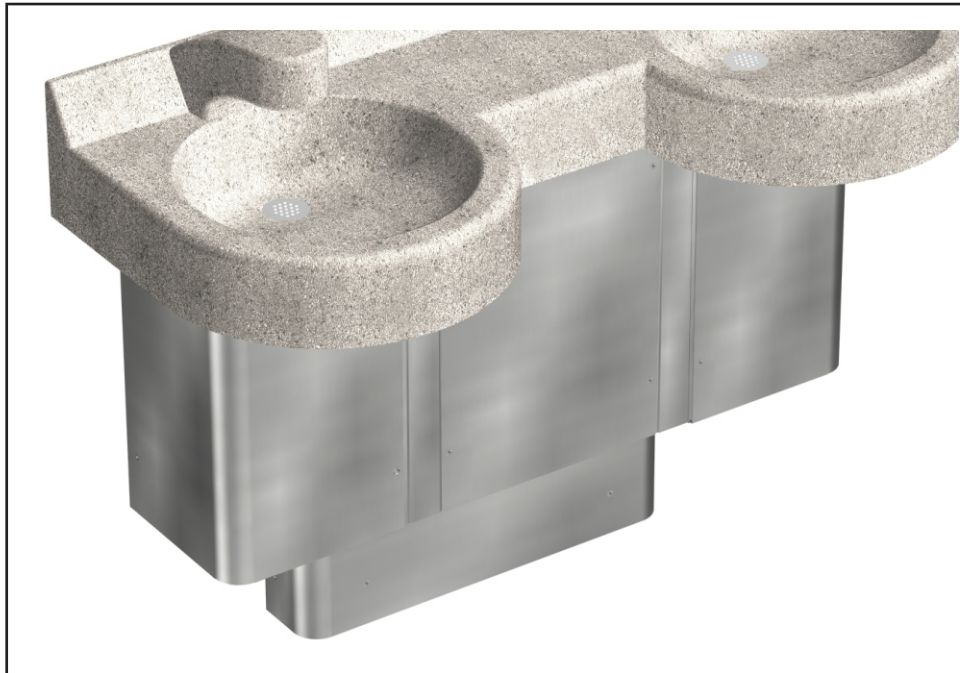




## Option -SPX



### **16 Gage Stainless Steel Enclosure -**

This option is intended to replace the standard vinylclad enclosure with a stainless steel enclosure which includes a #4 satin finish. Available for Straight Front Stainless Steel Washbasins and Corterra Washbasins.

Please visit [www.acorneng.com](http://www.acorneng.com) for most current specifications.

