

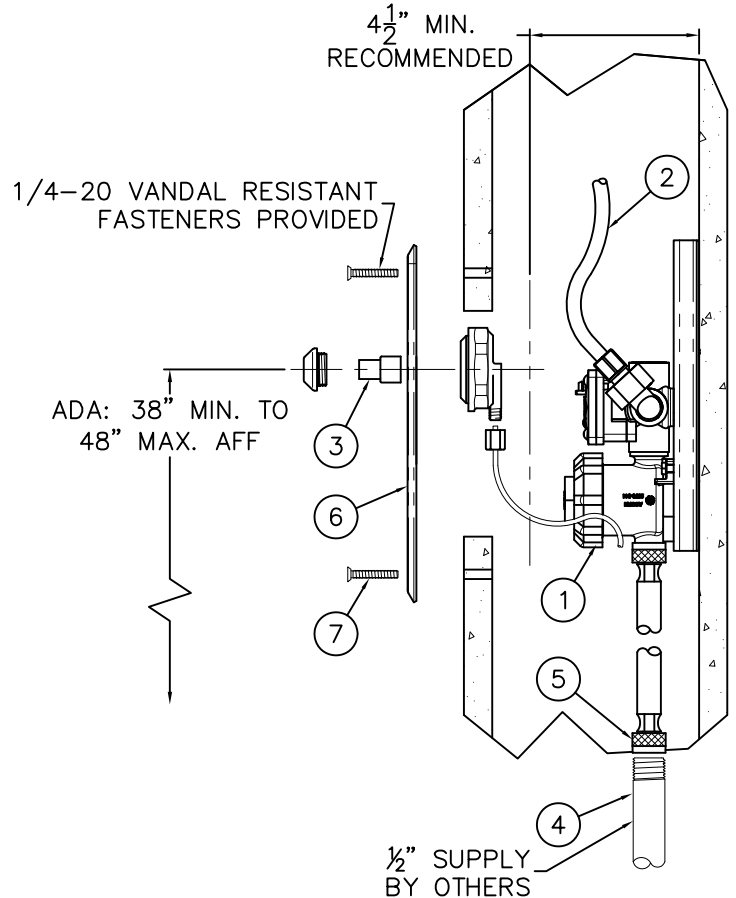
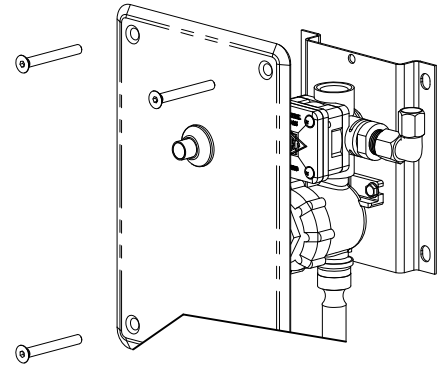
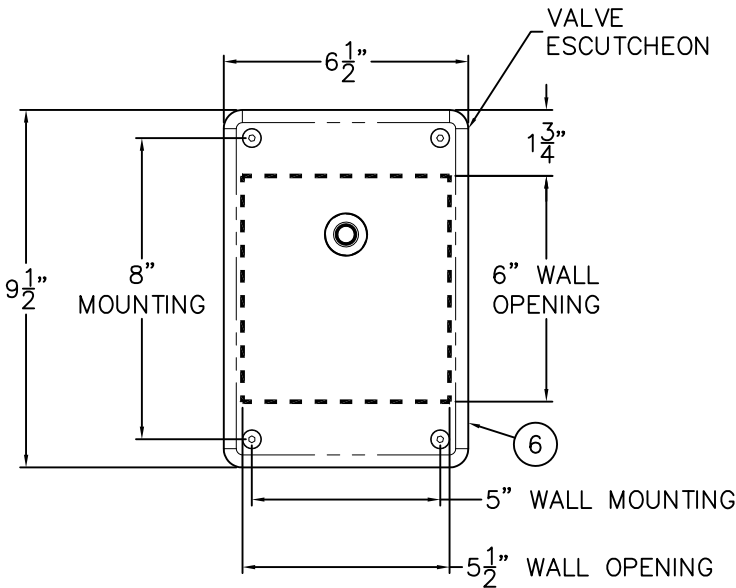


REFERENCE DRAWINGS

AIR-CONTROL CONNECT | 9900-006-003

NOTE:

- 1- AIR-CONTROL VALVE IS INTENDED TO BE SUPPLIED WITH WATER FROM A CERTIFIED TEMPERING VALVE PROVIDED BY OTHERS.
- 2- FOR -MV METERING VALVE IN RISER OPTION, METERING VALVE INLET IS TO BE SUPPLIED FROM THE CONTROL VALVE.



INSTALLATION INSTRUCTIONS:

- A-DETERMINE LOCATION OF VALVE (1) AND INSTALL SUPPORT FRAMING IF REQUIRED.
- B-MOUNT AIR-CONTROL VALVE (1) AND MAKE UP CONNECTIONS TO VALVE RISER (2) OUTLET AND SHOWER HEAD. NOTE: VALVE MAY BE REMOTELY LOCATED UP TO 10 FEET FROM PUSHBUTTON (3) OR SHOWER HEAD.
- D-AFTER THOROUGHLY FLUSHING SUPPLY LINE (4), CONNECT SUPPLY TO 1/2" NPS FLEX HOSE VALVE INLET (5). NOTE: SUPPLY INLET WILL ACCOMMODATE 1/2" NPT MALE ADAPTER.

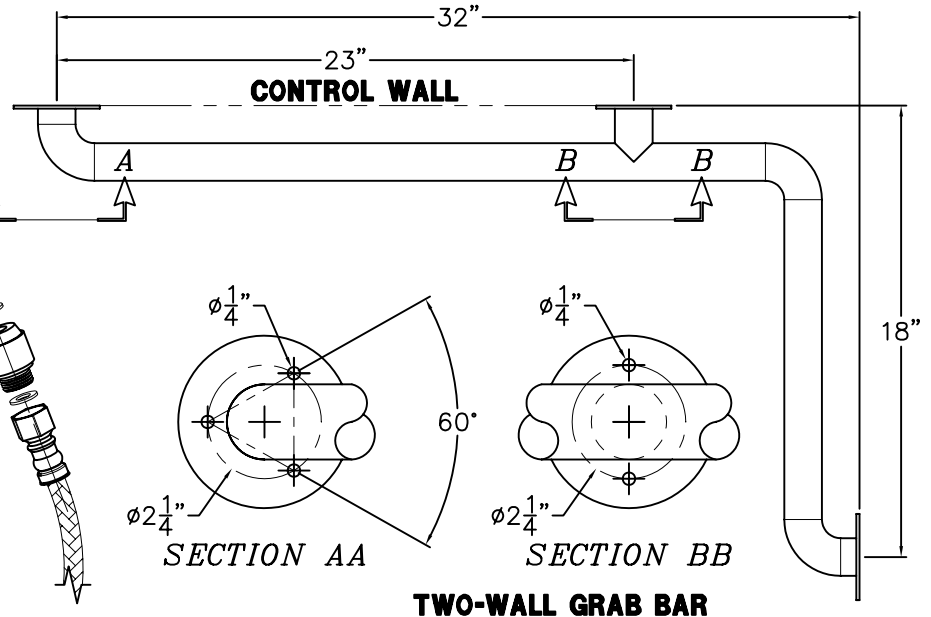
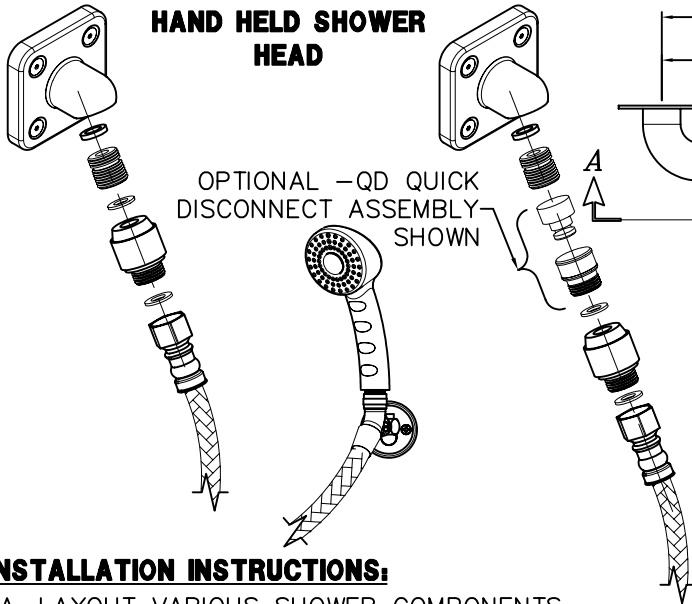
- E-MOUNT PUSHBUTTON TO VALVE ESCUCHEON (6) AND MAKE UP CONNECTIONS TO 1/8" OD AIR LINE AND VALVE METERING MOTOR.
- F-MOUNT VALVE ESCUCHEON (6) OVER OPENING WITH INSTALLER PROVIDED WALL ANCHORS & FASTENERS PROVIDED (7). SEAL VALVE ESCUCHEON AND WALL WITH INSTALLER PROVIDED SEALANT.

REFER TO ADA GUIDELINES FOR COMPLETE INSTALLATION REQUIREMENTS.



ACORN ENGINEERING COMPANY
P.O. BOX 3527 Industry, CA 91744
15125 Proctor Ave Industry, CA 91746
(626) 336-4561 FAX (626) 961-2200

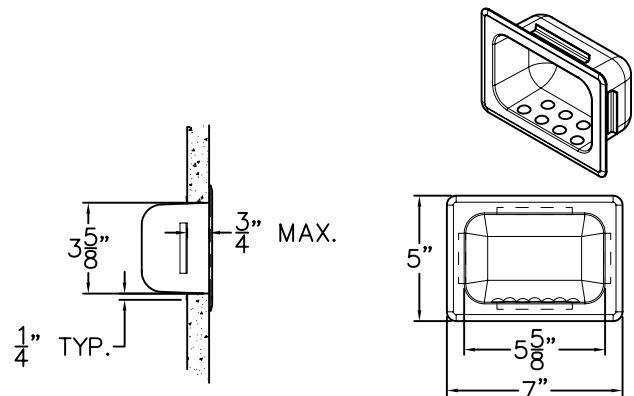
TITLE ZENITH SINGLE TEMP AIR-CONTROL METERING VALVE, #516, #536 / -MV		
MANUFACTURE DATE SEPTEMBER 1995 TO PRESENT	DATE ISSUED 06/20/97	DRAWING NUMBER 9900-302-002
	DATE REVISED 02/20/14	



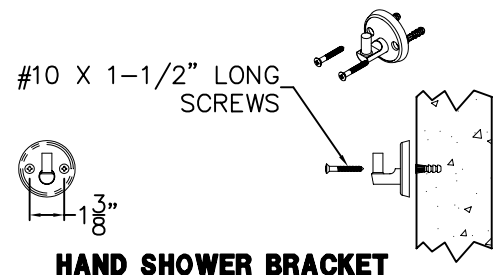
INSTALLATION INSTRUCTIONS:

- A-LAYOUT VARIOUS SHOWER COMPONENTS CONSULTING CURRENT ADA GUIDELINES AND/OR LOCAL CODE AUTHORITY FOR COMPLETE ACCESSIBILITY INSTALLATION REQUIREMENTS.
- B-ENSURE ADEQUATE WALL BACKING IS PROVIDED FOR WEIGHT BEARING COMPONENT ASSEMBLIES SUCH AS SHOWER SEATS AND GRAB BARS. LOAD RATINGS WILL BE LIMITED BY THE WALL TYPE CONSTRUCTION AND ANCHORING HARDWARE USED.
- C-USE APPROPRIATE COMPONENT INSTALLATION SHEETS FOR SPECIFIC SHOWER HEAD, VALVE, ACCESSORIES AND OPTIONS REQUIRED.
- D-ALL WALL ANCHORS AND ANCHORING HARDWARE ARE PROVIDED BY THE INSTALLER. IT IS THE RESPONSIBILITY OF THE INSTALLER TO ENSURE THAT ALL WALL ANCHORING HARDWARE ARE APPROPRIATE FOR TYPE WALL CONSTRUCTION.
- E-MOUNT HAND SHOWER WALL BRACKET TO WALL USING APPROPRIATE ANCHORING HARDWARE OR THE SCREWS AND WALL ANCHORS PROVIDED.
- F-MOUNT GRAB BAR AS WALL CONDITIONS REQUIRE, USING APPROPRIATE ANCHORING HARDWARE PROVIDED BY INSTALLER OR CENTER REJECT SCREWS PROVIDED.
- G-ASSEMBLE FLEX HOSE TO HAND HELD SHOWER AND WALL MOUNTED SHOWER HEAD. HINT: USE TEFLON TAPE FOR ALL THREADED CONNECTIONS TO REDUCE THE POSSIBILITY OF LEAKAGE.
- H-INSERT RECESSED SOAP DISH INTO WALL. NOTE: PLASTER FLANGE IS 3/4" FROM FINISHED WALL.

TWO-WALL GRAB BAR



RECESSED SOAP DISH



HAND SHOWER BRACKET

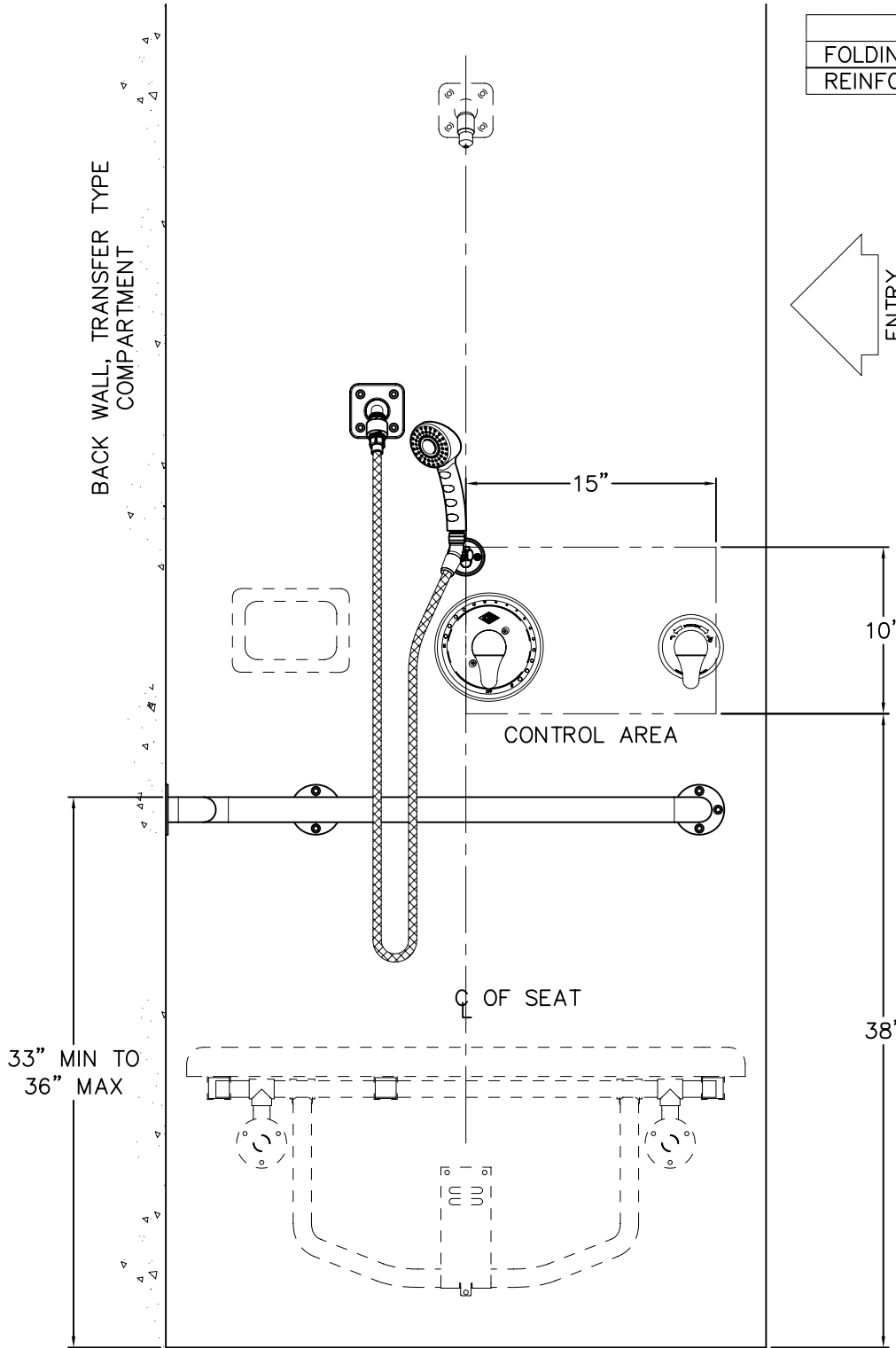
NOTE: REFER TO ADA ACCESSIBILITY GUIDELINES FOR COMPLETE INSTALLATION REQUIREMENTS.

REFERENCE DRAWINGS	
FLEX HAND SHOWER	9970-102-003
FOLDING PADDED SEAT INSTALL	9900-350-001
DIVERTER INSTALL w/ PUSH-IN CONN	9900-327-001
DIVERTER INSTALL w/ 1/2" NCT CONN	9900-328-001

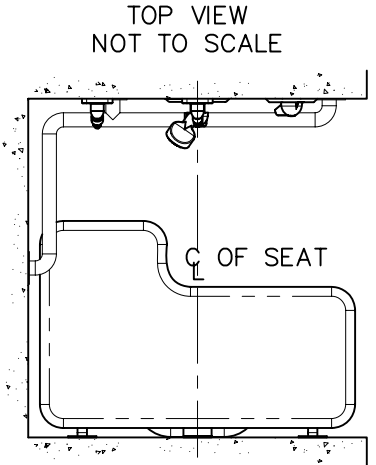
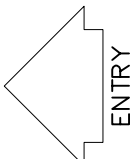
ACORN ENGINEERING COMPANY
 P.O. BOX 3527 INDUSTRY, CA. 91744
 (626) 336-4561 FAX (626) 961-2200

TITLE **ZENITH ADA SHOWERS -COMPONENTS**

MANUFACTURE DATE	DATE ISSUED	DRAWING NUMBER
MAY 2004	12/01/89	
TO PRESENT	DATE REVISED	9900-325-002
	04/10/11	



REFERENCE DRAWINGS	
FOLDING PADDING SEAT	9900-350-001
REINFORCED PANEL	9900-351-002



36" x 36" TRANSFER TYPE COMPARTMENT SHOWN

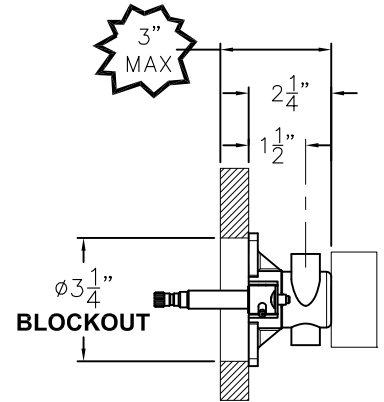
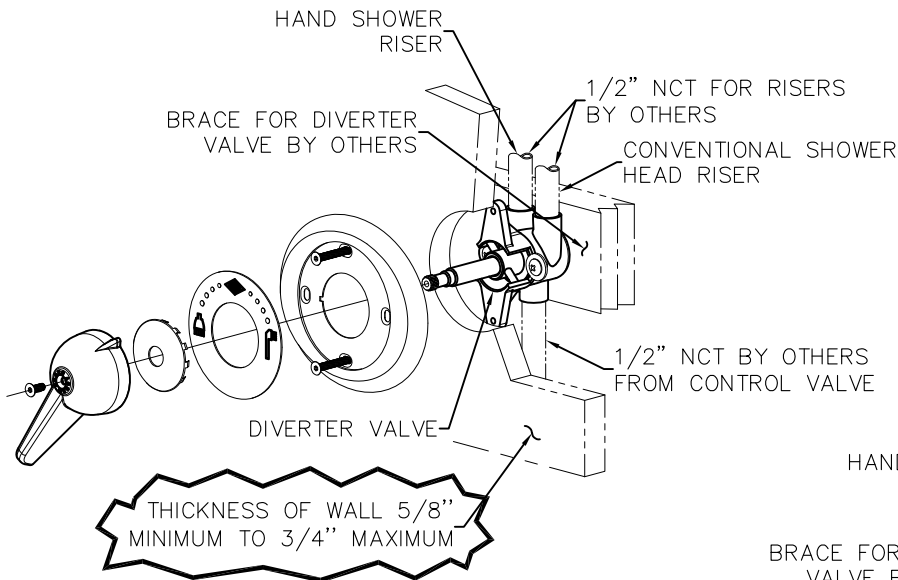
A- REFER TO ADA GUIDELINES OR LOCAL CODE AUTHORITY FOR COMPLETE INSTALLATION REQUIREMENTS FOR YOUR COMPARTMENT.

B- COMPLIANCE IS SUBJECT TO THE INTERPRETAION AND REQUIREMENTS OF THE LOCAL CODE AUTHORITY.

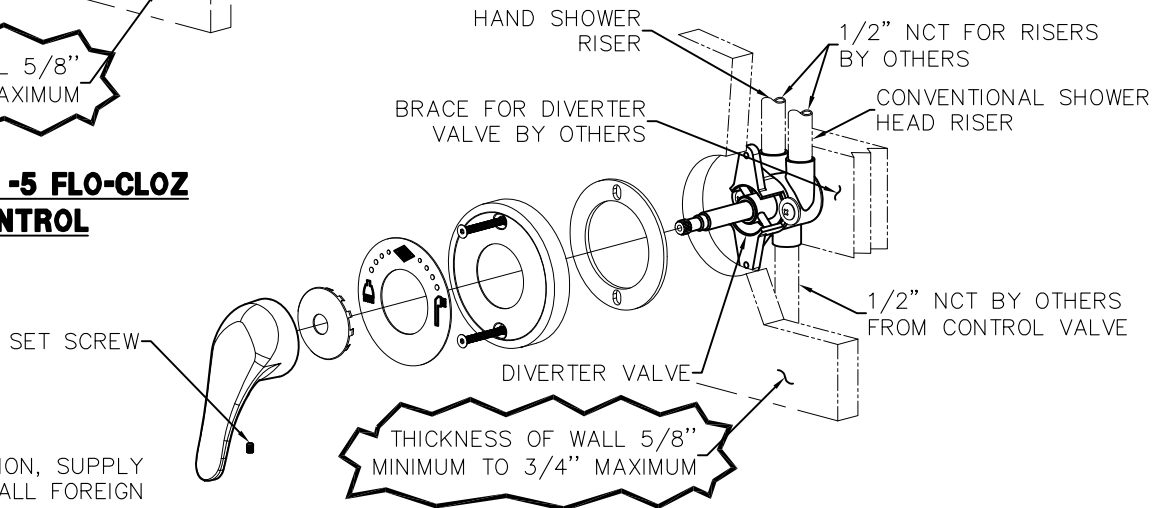
FYI: YOUR LOCAL CODE AUTHORITY MAY REQUIRE A DIFFERENT LAYOUT THAN SHOWN.

ACORN ENGINEERING COMPANY P.O. BOX 3527 INDUSTRY, CA. 91744 (626) 336-4561 FAX (626) 961-2200	TITLE ZENITH ADA LAYOUT	
	MANUFACTURE DATE MAY 2004 TO PRESENT	DATE ISSUED 04/10/11 DATE REVISED 06/01/11

REFERENCE DRAWINGS	
DIVERTER PARTS	9975-080-002



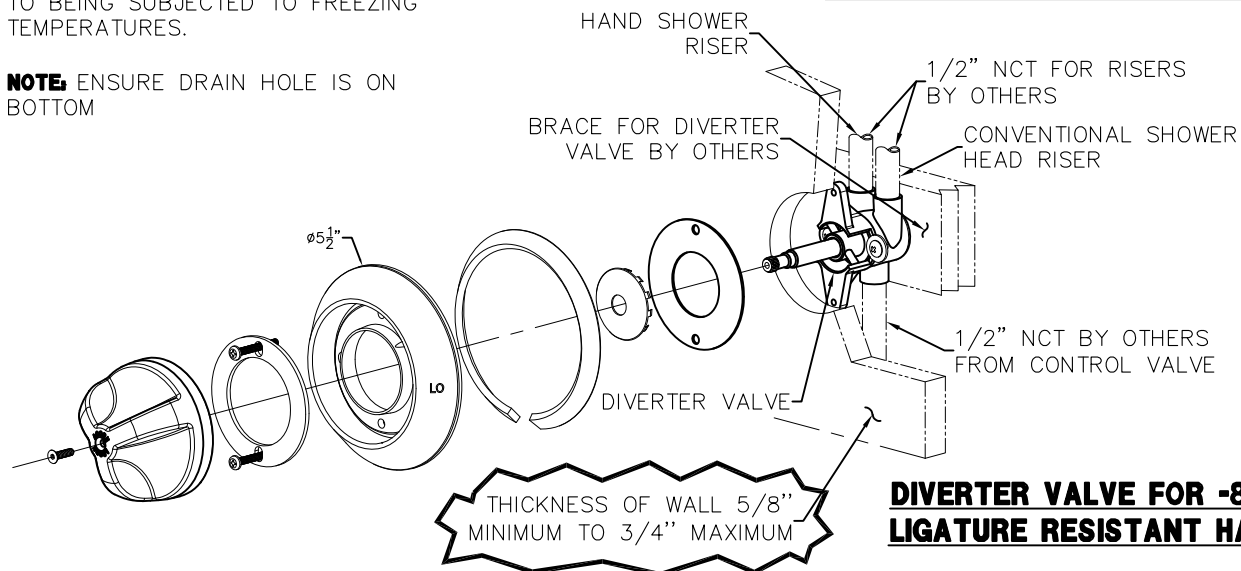
**DIVERTER VALVE FOR -5 FLO-CLOZ
AND -6 AIR-CONTROL**



DIVERTER VALVE FOR -8 LEVER HANDLE

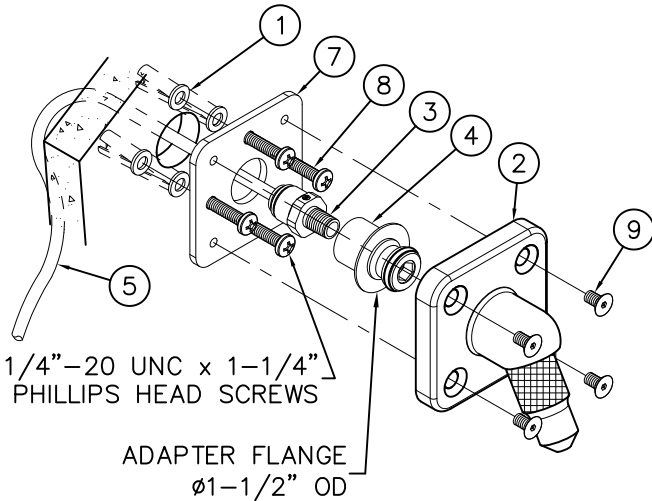
WARNING: PRIOR TO INSTALLATION, SUPPLY LINES MUST BE FLUSHED OF ALL FOREIGN MATERIAL SUCH AS PIPE DOPE, CHIPS, SOLDER ETC. VALVE MUST BE DRAINED PRIOR TO BEING SUBJECTED TO FREEZING TEMPERATURES.

NOTE: ENSURE DRAIN HOLE IS ON BOTTOM



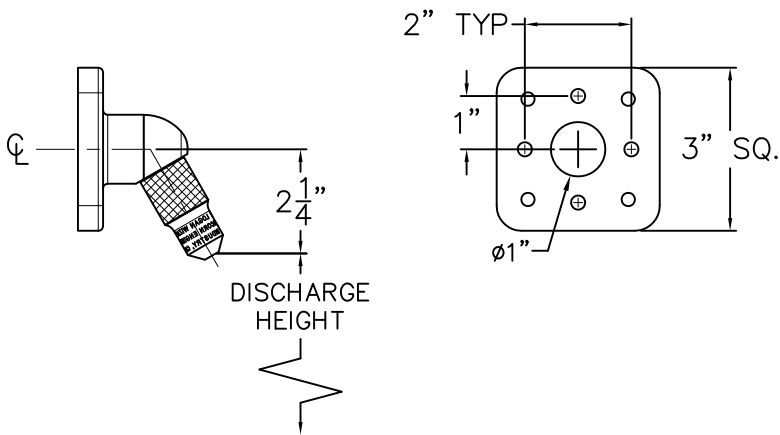
**DIVERTER VALVE FOR -8 -LRH
LIGATURE RESISTANT HANDLE**

<p>MORRIS GROUP INTL P.O. BOX 3527 Industry, CA 91744 MORRIS GROUP 15125 Proctor Ave Industry, CA 91746 INTERNATIONAL (626) 336-4561 FAX (626) 961-2200</p>	<p>TITLE ZENITH DIVERTER VALVE INSTALLATION FOR 1/2" NCT</p>	
	<p>MANUFACTURE DATE FEBRUARY 2010 TO PRESENT</p>	<p>DATE ISSUED 02/01/14</p> <p>DATE REVISED 07/11/22</p>

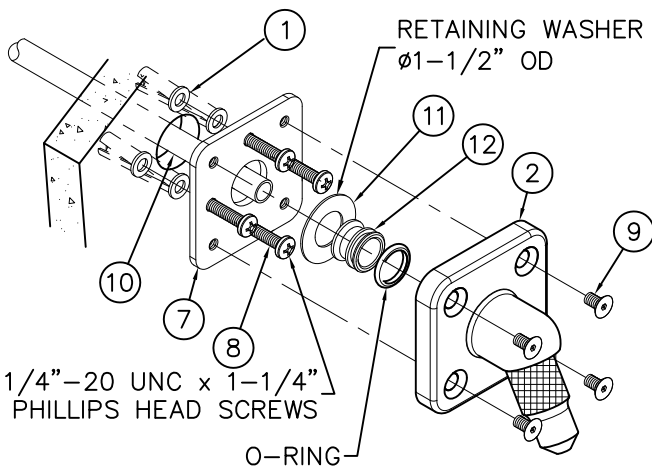


SHOWERHEAD HAVING -A ANCHOR PLATE OPTION FOR ZENITH WITH 3/8" PE TUBING RISER CONNECTION

PRIOR TO MAKING UP CONNECTIONS TO VALVE ASSEMBLY, FLUSH SUPPLY LINES THOROUGHLY. INSTALL WALL ANCHORS ① BY OTHERS USING -A ANCHOR PLATE ⑦ AS A TEMPLATE. ASSEMBLE 3/8" O.D. x 1/4" NPT PUSH-IN FITTING ③ TO O-RING ADAPTER ④. AFTER PULLING 3/8" OD PE TUBING ⑤ THRU WALL AND ANCHOR PLATE ⑦ OPENINGS, PUSH INTO FITTING ③ AND PULL TO LOCK. SECURE ANCHOR PLATE ⑦ TO WALL WITH SCREWS ⑧ PROVIDED. PUSH O-RING ADAPTER ASSEMBLY INTO SHOWERHEAD ②. INSTALL ASSEMBLY TO ANCHOR PLATE ⑦ USING SCREWS ⑨ PROVIDED.



REFERENCE DRAWINGS	
ASSEMBLIES	NUMBER
SHOWERHEAD	9970-105-004
NOZZLE	9970-101-004
ANCHOR PLATE	9970-150-003



SHOWERHEAD HAVING -A ANCHOR PLATE OPTION FOR ZENITH WITH 1/2" NCT RISER CONNECTION

PRIOR TO MAKING UP CONNECTIONS TO VALVE ASSEMBLY, FLUSH SUPPLY LINES THOROUGHLY. USE ANCHOR PLATE ⑦ AS A TEMPLATE AND INSTALL WALL ANCHORS ① BY OTHERS. INSTALL 1/2" NCT SHOWER RISER ⑩ BY OTHERS THRU WALL, ANCHOR PLATE ⑦ AND STUB-OUT EXTENDED 1" FROM BEYOND WALL. PLACE RETAINING WASHER ⑪ AND O-RING ADAPTER ⑫ OVER STUB-OUT ⑩ AND POSITION AGAINST ANCHOR PLATE ⑦. REMOVE O-RING BEFORE SOLDERING O-RING ADAPTER ⑫ TO STUB-OUT ⑩. REINSTALL O-RING AND INSTALL SHOWERHEAD ② TO ANCHOR PLATE ⑦ USING SCREWS ⑨ PROVIDED.

ACORN ENGINEERING COMPANY
P.O. BOX 3527 Industry, CA 91744
15125 Proctor Ave Industry, CA 91746
(626) 336-4561 FAX (626) 961-2200

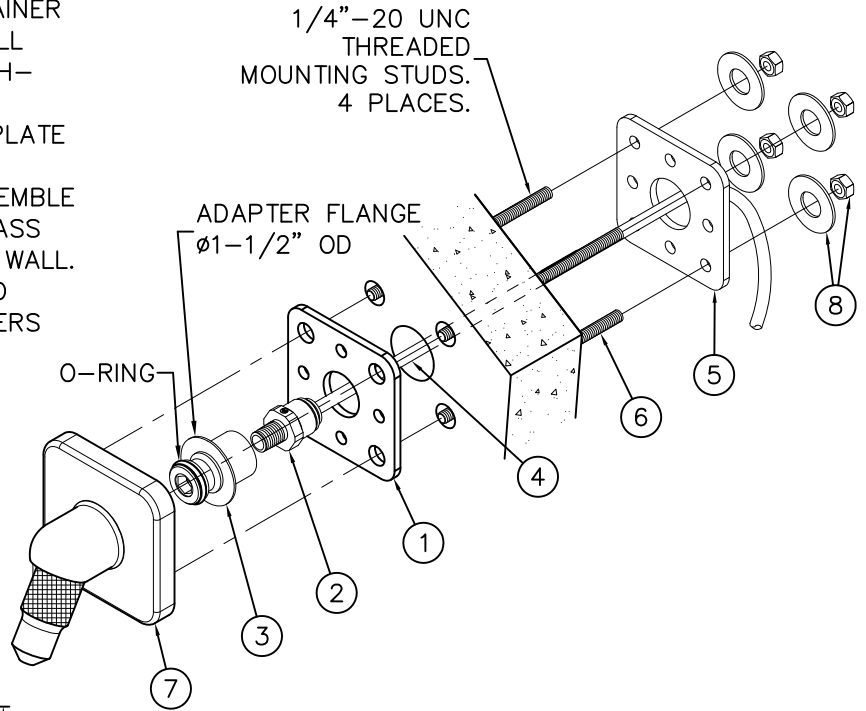
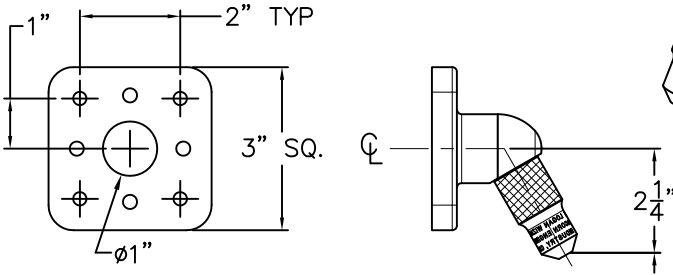
TITLE INSTALLATION OF FLANGED BRACKET SHOWERHEADS w/ -A ANCHOR PLATE		
MANUFACTURE DATE JULY 1975 TO PRESENT	DATE ISSUED 09/29/04	DRAWING NUMBER 9900-320-003
	DATE REVISED 01/27/14	



**SHOWERHEAD HAVING -B BACK PLATE OPTION
FOR ZENITH WITH 3/8" PE TUBING RISER
CONNECTION**

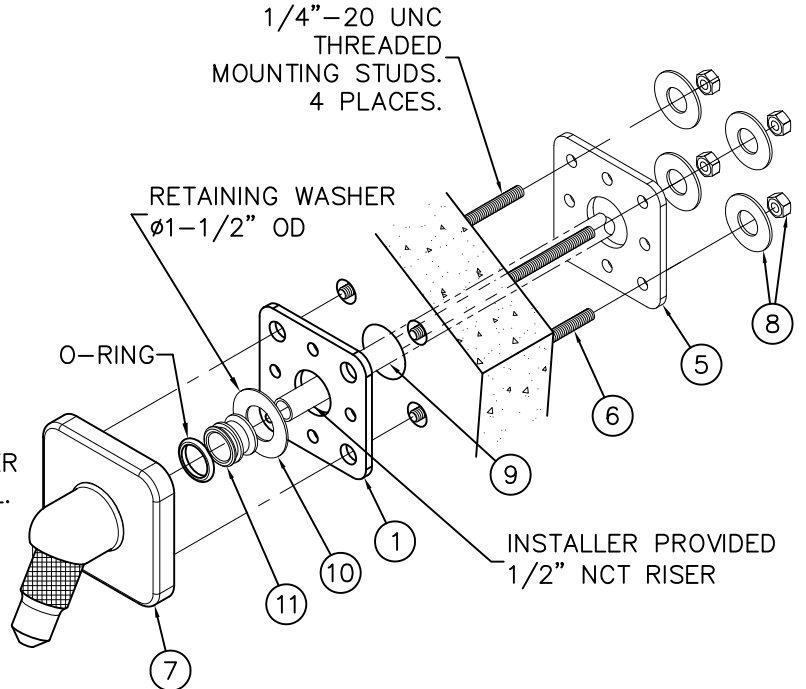
FLUSH SUPPLY LINES THOROUGHLY PRIOR TO MAKING UP CONNECTIONS TO VALVE ASSEMBLY. USE RETAINER PLATE ① AS A TEMPLATE TO CREATE THRU WALL OPENINGS. ASSEMBLE 3/8" O.D. x 1/4" NPT PUSH-IN FITTING ② TO O-RING ADAPTER ③. AFTER PASSING 3/8" O.D. PE TUBING ④ THRU BACK PLATE ⑤, WALL AND RETAINER PLATE ① OPENINGS, PUSH INTO FITTING ② AND PULL TO LOCK. ASSEMBLE MOUNTING STUDS ⑥ TO SHOWERHEAD ⑦ & PASS THRU RETAINER PLATE ① AND THEN THRU THE WALL. FROM CHASE SIDE, INSTALL BACK PLATE ⑤ AND SECURE WHOLE ASSEMBLY WITH NUTS AND WASHERS ⑧.

REFERENCE DRAWINGS	
ASSEMBLIES	NUMBER
NOZZLE	9970-101-004
WALL PLATES	9970-151-003



**SHOWERHEAD HAVING -B BACK PLATE OPTION
FOR ZENITH WITH 1/2" NCT RISER CONNECTION**

FLUSH SUPPLY LINES THOROUGHLY PRIOR TO MAKING UP CONNECTIONS TO VALVE ASSEMBLY. USE RETAINER PLATE ① AS A TEMPLATE TO CREATE THRU WALL OPENINGS. PASS 1/2" NCT RISER ⑨ THRU BACK PLATE ⑤, WALL & RETAINER PLATE ① EXTENDING 1" BEYOND THE RETAINER PLATE. PASS RETAINING WASHER ⑩ THRU RISER STUB OUT. SLIDE O-RING ADAPTER ⑪ ONTO STUB OUT AND AGAINST RETAINING WASHER ⑩. REMOVE O-RING AND SOLDER ADAPTER ⑪ TO RISER. INSTALL O-RING WHEN COOL. ASSEMBLE MOUNTING STUDS ⑥ TO SHOWER HEAD ⑦ & PASS THRU RETAINER PLATE ① AND THEN THRU WALL. FROM CHASE SIDE, INSTALL BACK PLATE ⑤ AND SECURE ASSEMBLY WITH NUTS AND WASHERS ⑧ PROVIDED.



ACORN ENGINEERING COMPANY
P.O. BOX 3527 Industry, CA 91744
15125 Proctor Ave Industry, CA 91746
(626) 336-4561 FAX (626) 961-2200

INSTALLATION OF FLANGED BRACKET SHOWERHEADS w/ -B BACK PLATE

MANUFACTURE DATE

**JULY 1977
TO PRESENT**

DATE ISSUED

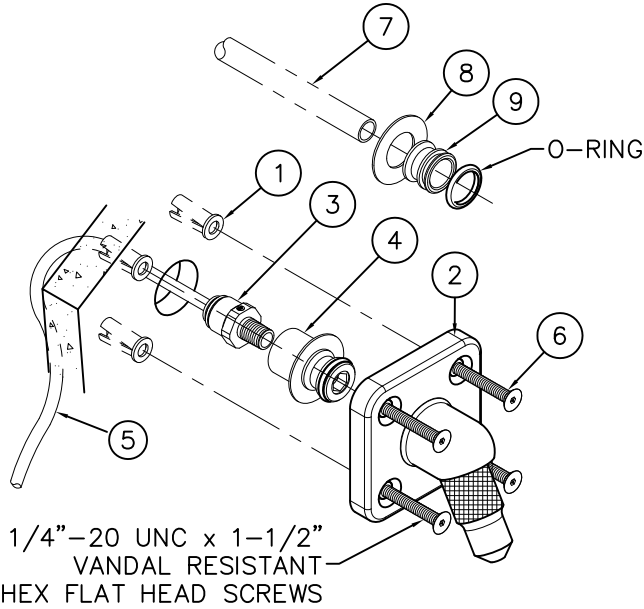
09/29/04

DATE REVISED

01/27/14

DRAWING NUMBER

9900-321-002



ZENITH SHOWERHEAD w/ 3/8" PE TUBING OR 1/2" NCT RISER BY OTHERS

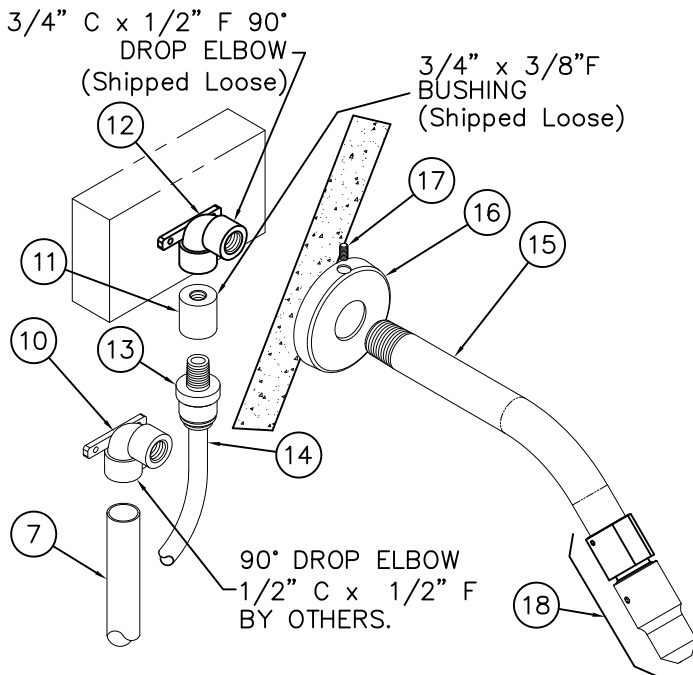
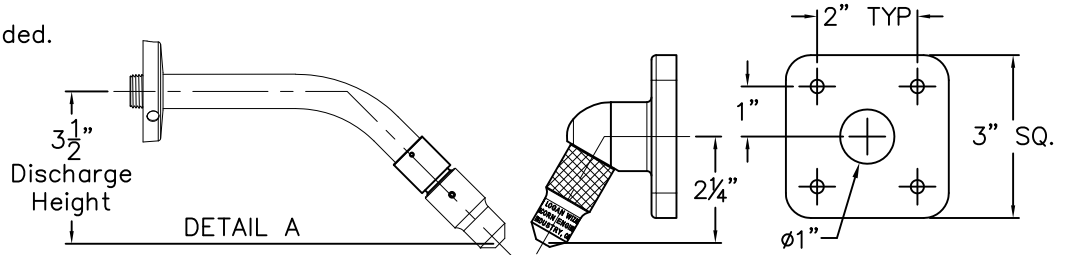
PRIOR TO MAKING UP CONNECTIONS TO VALVE ASSEMBLY, FLUSH SUPPLY LINES THOROUGHLY. INSTALL WALL ANCHORS ① BY OTHERS USING SHOWERHEAD BASE ② AS A TEMPLATE.

FOR 3/8" PE TUBING RISER: ASSEMBLE 3/8" OD x 1/4" NPT PUSH-IN FITTING ③ TO O-RING ADAPTER ④. AFTER PULLING 3/8" OD PE TUBING ⑤ THRU WALL OPENING PUSH INTO FITTING ③ AND PULL TO LOCK. PUSH O-RING ADAPTER ASSEMBLY INTO SHOWERHEAD ②. INSTALL ASSEMBLY TO WALL USING SCREWS ⑥ PROVIDED.

FOR 1/2" NCT RISER: STUB-OUT 1/2" NCT RISER ⑦ BY OTHERS EXTENDED 1" BEYOND WALL. INSTALL RETAINING WASHER ⑧ AND O-RING ADAPTER ⑨ OVER STUB-OUT ⑦ AND POSITION AGAINST WALL. REMOVE O-RING BEFORE SOLDERING O-RING ADAPTER ⑨ TO STUB-OUT ⑦. REINSTALL O-RING AND POSITION SHOWERHEAD ② OVER ADAPTER ASSEMBLY. SECURE USING SCREWS ⑥ PROVIDED.

NOTE: Use Of Teflon Tape On All Threaded Connections Is Recommended.

REFERENCE DRAWINGS	
ASSEMBLIES	NUMBER
NOZZLE	9970-101-004
SHOWERHEAD	9970-105-004
BENT ARM	9970-100-003



ZENITH -BA BENT ARM OPTION w/ 3/8" OD PE TUBING OR w/ 1/2" NCT RISER BY OTHERS

PRIOR TO MAKING UP CONNECTIONS TO VALVE ASSEMBLY, FLUSH SUPPLY LINES THOROUGHLY.

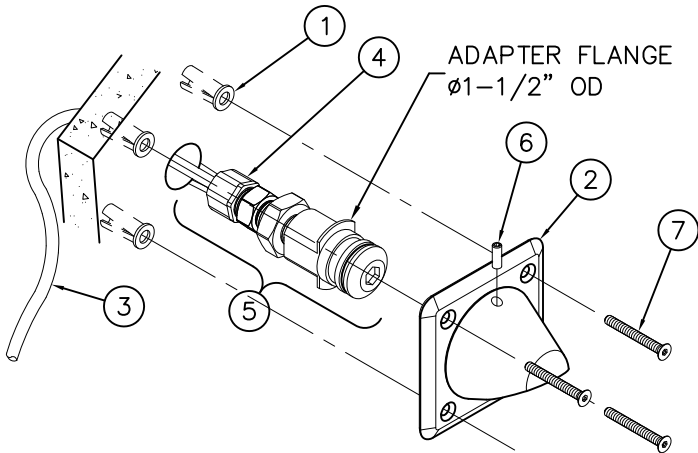
FOR 1/2" NCT RISER: BRING UP 1/2" NCT RISER ⑦ BY OTHERS, FROM VALVE AND CONNECT TO 1/2" C x 1/2" F ELBOW ⑩ BY OTHERS. SECURE ELBOW ⑩ AT DERIVED HEIGHT (SEE DETAIL A).

FOR 3/8" PE TUBING: SWEAT 3/4" x 3/8" F BUSHING ⑪ TO 3/4" C x 3/8" F ELBOW ⑫. LET COOL PRIOR TO CONNECTING 3/8" OD x 3/8" NPT PUSH-IN FITTING ⑬. BRING UP 3/8" OD TUBING RISER ⑭ FROM VALVE AND PUSH INTO FITTING ⑬ AND PULL TO LOCK. SECURE ELBOW ASSEMBLY ⑫ AT THE DERIVED HEIGHT (SEE DETAIL A).

BOTH RISER TYPES: PASS THREADED END OF BENT ARM ⑮ ASSEMBLY THRU LOOSE ESCUTCHEON ⑯ AND CONNECT TO THE FIXED ELBOW ASSEMBLY ⑫. POSITION ESCUTCHEON ⑯ AGAINST FINISHED WALL AND SECURE USING THE SET SCREW ⑰ PROVIDED. CONNECT THE NOZZLE ASSEMBLY ⑱.

ACORN ENGINEERING COMPANY
P.O. BOX 3527 Industry, CA 91744
15125 Proctor Ave Industry, CA 91746
(626) 336-4561 FAX (626) 961-2200

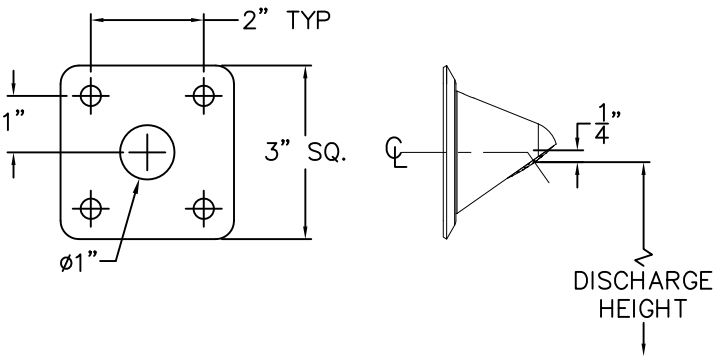
TITLE FLANGED BRACKET SHOWERHEAD & -BA BENT ARM		
MANUFACTURE DATE JULY 1977 TO PRESENT	DATE ISSUED 11/01/06	DRAWING NUMBER 9900-322-001
	DATE REVISED 01/28/14	



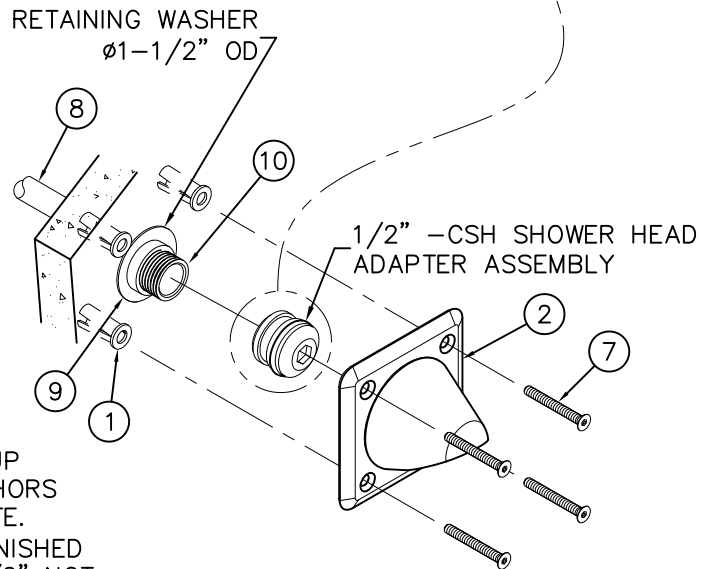
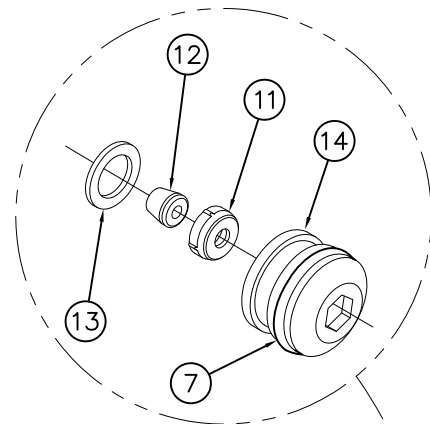
-CSH CONICAL SHOWERHEAD OPTION FOR ZENITH w/ 3/8" PE TUBING RISER CONNECTION

PRIOR TO MAKING UP CONNECTIONS TO VALVE ASSEMBLY, FLUSH SUPPLY LINES THOROUGHLY. INSTALL WALL ANCHORS ① BY OTHERS USING -CSH PLATE ② AS A TEMPLATE. AFTER PASSING 3/8" PE TUBING ③ THRU WALL OPENING MAKE UP CONNECTION TO 3/8" TUBE x 3/8" NPT COMPRESSION FITTING ④ AND PUSH ADAPTER ASSEMBLY ⑤ INTO CSH ASSEMBLY. TIGHTEN SET SCREW ⑥ ON -CSH. SECURE MOUNTING PLATE TO WALL USING SCREWS ⑦ PROVIDED.

VANDAL RESISTANT #10-32 UN x 1-1/2" LONG FLAT HEAD SCREWS WITH CENTER REJECT PIN



REFERENCE DRAWINGS	
ASSEMBLIES	NUMBER
SHOWERHEAD	9970-009-001



-CSH CONICAL SHOWERHEAD OPTION FOR ZENITH WITH 1/2" NCT RISER CONNECTION

FLUSH SUPPLY LINES THOROUGHLY, PRIOR TO MAKING UP CONNECTIONS TO VALVE ASSEMBLY. INSTALL WALL ANCHORS ① BY OTHERS USING -CSH PLATE ② AS A TEMPLATE. EXTEND 1/2" NCT RISER ⑧ BY OTHERS 1" BEYOND FINISHED WALL. THREAD RETAINING WASHER ⑨, AND SOLDER 1/2" NCT x BSP ADAPTER ⑩ ONTO RISER. ASSEMBLE FLOW CONTROL RETAINER ⑪, FLOW CONTROL ⑫ AND NEOPRENE WASHER ⑬ ONTO SHOWER HEAD ADAPTER ⑭. TIGHTEN ASSEMBLY ONTO ADAPTER ⑩ & SECURE -CSH USING SCREWS ⑦ PROVIDED.

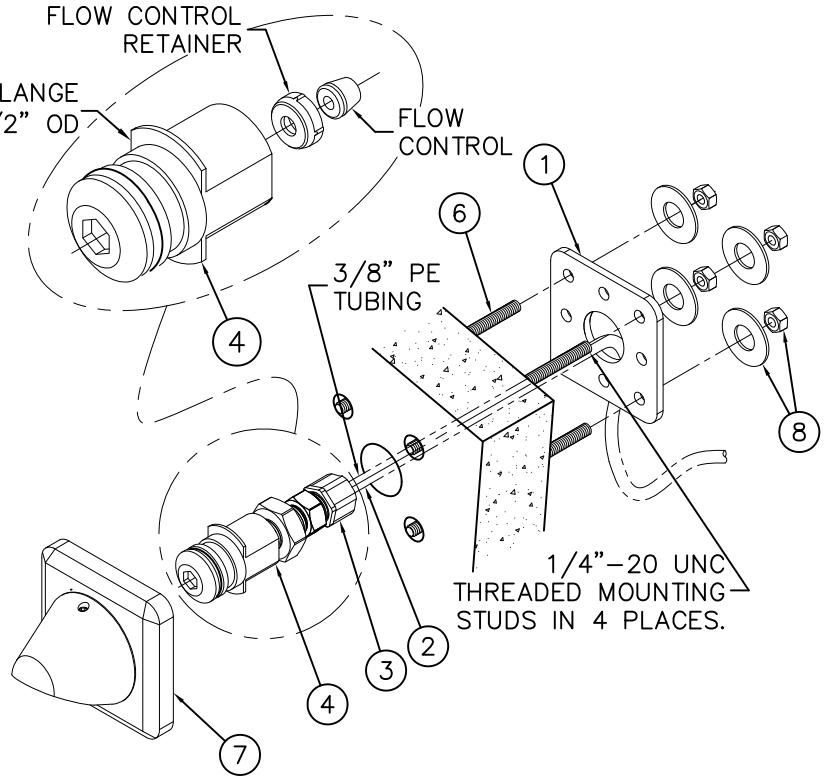
ACORN ENGINEERING COMPANY P.O. BOX 3527 Industry, CA 91744 15125 Proctor Ave Industry, CA 91746 (626) 336-4561 FAX (626) 961-2200	TITLE ZENITH CONICAL SHOWER HEAD		
	MANUFACTURE DATE JULY 1998 TO PRESENT	DATE ISSUED 03/16/11	DRAWING NUMBER 9900-323-001
		DATE REVISED 01/27/14	



REFERENCE DRAWINGS	
ASSEMBLIES	NUMBER
SHOWERHEAD	9970-009-001

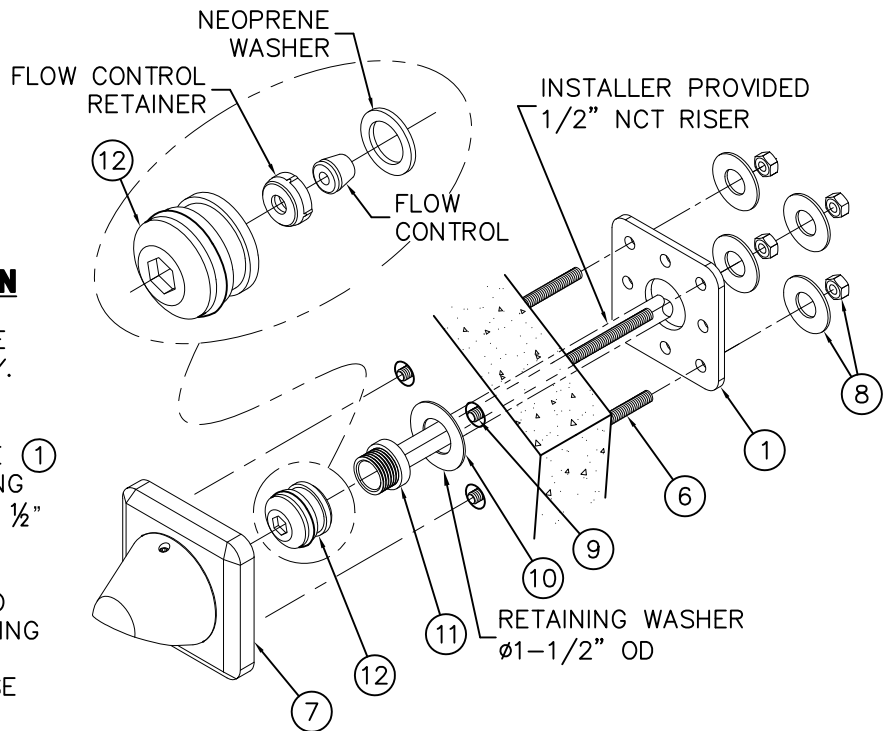
-CSH CONICAL SHOWERHEAD OPTION WITH -B BACK PLATE OPTION FOR ZENITH WITH 3/8" PE TUBE RISER CONNECTION

PRIOR TO MAKING UP CONNECTIONS TO VALVE ASSEMBLY, FLUSH SUPPLY LINES THOROUGHLY. USE BACK PLATE ① AS A TEMPLATE TO CREATE THRU WALL OPENINGS. PASS 3/8" PE TUBING ② THRU BACK PLATE ① AND MAKE UP CONNECTION TO 3/8" NPT COMPRESSION FITTING ③. PUSH ADAPTER ASSEMBLY ④ INTO -CSH ASSEMBLY. TIGHTEN SET SCREW ⑤ ON -CSH. ASSEMBLE MOUNTING STUDS ⑥ TO SHOWER FLANGE ⑦ AND SLIDE THRU THE WALL OPENINGS. FROM CHASE SIDE, SECURE ASSEMBLY WITH NUTS AND WASHERS ⑧ PROVIDED.



-CSH CONICAL SHOWERHEAD OPTION WITH -B BACK PLATE OPTION FOR ZENITH WITH 1/2" NCT RISER CONNECTION

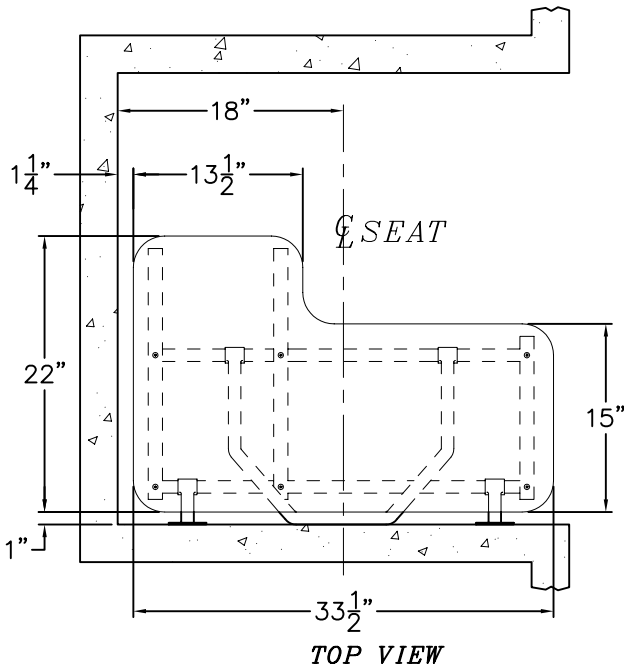
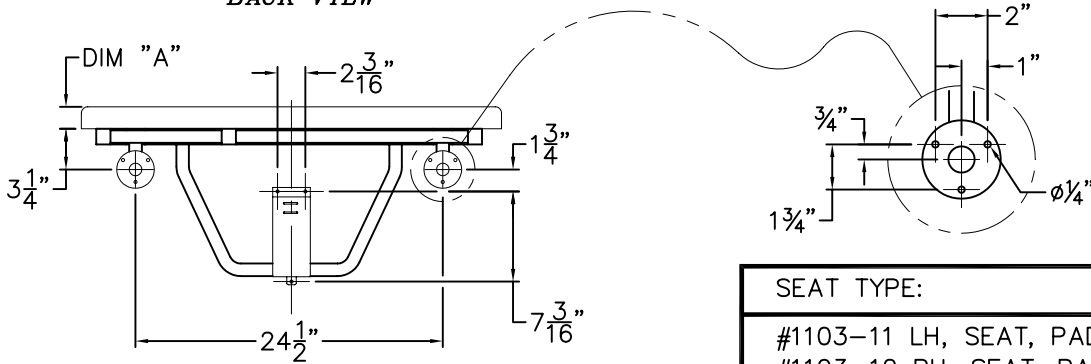
PRIOR TO MAKING UP CONNECTIONS TO VALVE ASSEMBLY, FLUSH SUPPLY LINES THOROUGHLY. USE BACK PLATE ① AS A TEMPLATE TO CREATE THRU WALL OPENINGS. PASS 1/2" NCT SHOWER HEAD RISER ⑨ THRU BACK PLATE ① AND EXTEND 1" BEYOND WALL. PASS RETAINING WASHER ⑩ ONTO RISER STUB OUT. SLIDE 1/2" BSP X 1/2" NCT BRASS ADAPTER ⑪ ONTO RISER AND SOLDER. ASSEMBLE THE O-RING ADAPTER ⑫ AS SHOWN AND TIGHTEN ONTO THE BRASS ADAPTER ⑪. ASSEMBLE MOUNTING STUDS ⑥ TO THE SHOWER FLANGE ⑦ AND SLIDE THRU THE WALL OPENINGS. FROM CHASE SIDE, SECURE ASSEMBLY WITH NUTS AND WASHERS ⑧ PROVIDED.



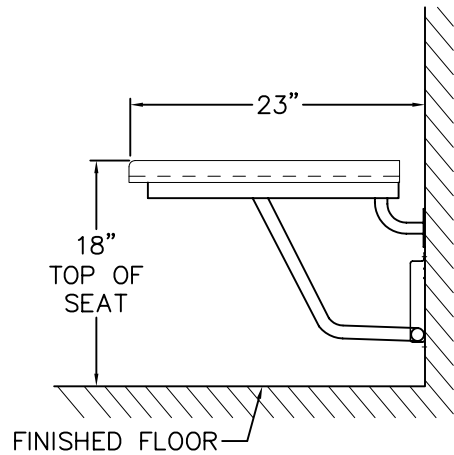
<p>ACORN ENGINEERING COMPANY P.O. BOX 3527 Industry, CA 91744 15125 Proctor Ave Industry, CA 91746 (626) 336-4561 FAX (626) 961-2200</p>	<p>TITLE ZENITH CONICAL SHOWER HEAD W/-B BACK PLATE</p>		
	<p>MANUFACTURE DATE</p> <p>JULY 1998</p> <p>TO PRESENT</p>	<p>DATE ISSUED</p> <p>09/15/11</p>	<p>DRAWING NUMBER</p> <p>9900-324-001</p>
		<p>DATE REVISED</p> <p>01/28/14</p>	



BACK VIEW



SEAT TYPE:	DIM 'A'
#1103-11 LH, SEAT, PADDED #1103-12 RH, SEAT, PADDED	3/4"
#1103-21 LH, SEAT, PHENOLIC #1103-22 RH, SEAT, PHENOLIC	1/2"
#1103-31 LH, SEAT, SS #1103-32 RH, SEAT, RH	1/8"



REFERENCE DRAWING	
-RD REINFORCED PANEL	9900-351-001

INSTALLATION INSTRUCTIONS:

A- USING FOLDED SEAT FRAME AS A TEMPLATE MARK HOLES ON WALL OR REINFORCED PANEL FOR MOUNTING FLANGES AND SUPPORT LEG GUIDE BRACKET FOR WALL ANCHORS AND ANCHORING HARDWARE BY OTHERS. FOR -RP PANEL MOUNTING, #10 x 1" LONG STAINLESS STEEL PHILIPS HEAD SHEET METAL SCREWS ARE RECOMMENDED. FOR WALL MOUNTING, #10 x 2" LONG STAINLESS STEEL PHILIPS HEAD SHEET METAL SCREWS ARE RECOMMENDED.

- B- SEAT SHOULD BE MOUNTED ON CENTER WITH 34" WIDE ACORN -RP REINFORCED PANEL. REFER TO PANEL DETAIL WITH JOB INSTALLATION INSTRUCTIONS FOR CUSTOM PANEL SIZE INFORMATION.
- C- THE SEAT IS PROPERLY INSTALLED IF IT FOLDS UP AND DOWN FREELY, YET STAYS IN THE UP POSITION WITHOUT ASSISTANCE.

CONSULT APPLICABLE CODES FOR SEAT HEIGHT & LOCATION REQUIREMENTS. RECOMMENDED SEAT HEIGHT IS 18" ABOVE FINISHED FLOOR.

IMPORTANT: THIS SHOWER SEAT IS INTENDED TO MEET OR EXCEED CURRENT ADA CODE REQUIREMENTS. SEAT REQUIRES ADEQUATE IN-WALL, WALL BACKING OR OTHER SECURE METHOD OF ANCHORING.

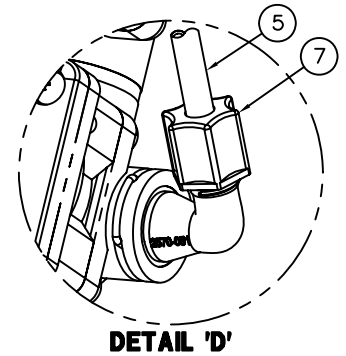
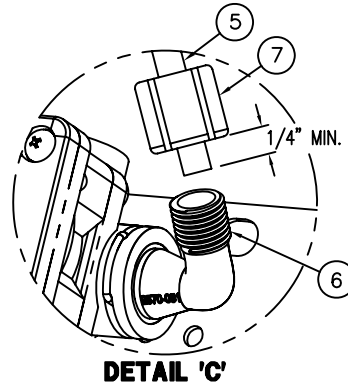
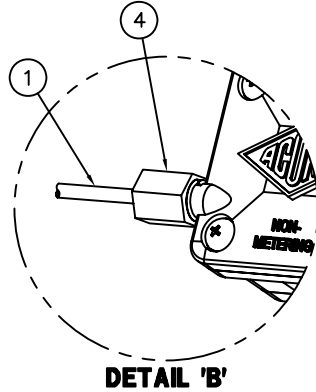
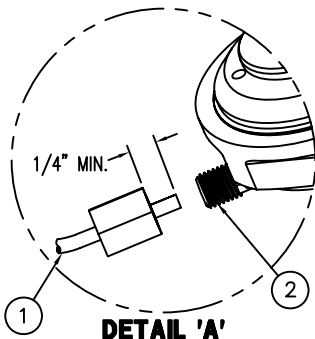


ACORN ENGINEERING COMPANY
P.O. BOX 3527 INDUSTRY, CA. 91744
(626) 336-4561 FAX (626) 961-2200

TITLE		
FOLDING PADDED SEAT CATALOG * 1103 SERIES (A.D.A.)		
MANUFACTURE DATE	DATE ISSUED	DRAWING NUMBER
JANUARY 1, 1980	04/07/93	9900-350-001
TO PRESENT	DATE REVISED	
	09/13/10	

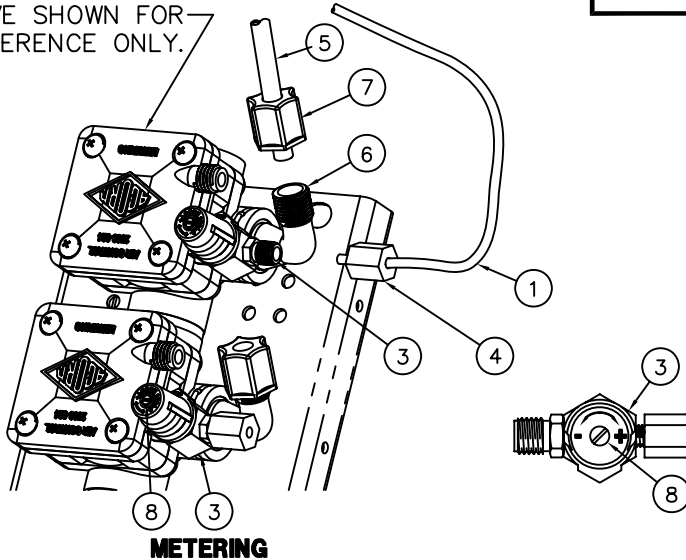


SIDE OUTLET SHOWN



NOTE: PENAL-WARE & ECO-RAIN SHOWER FIXTURES USE 1/4" O.D. RISER TUBING WHILE OTHER SHOWER-WARE FIXTURES USE 3/8" O.D. TUBING.

AIR-CONTROL 03M-MA2 VALVE SHOWN FOR REFERENCE ONLY.



REFERENCE DRAWINGS	
REPAIR PARTS	DRAWING
VALVE BODY	9955-006-003
CHECKSTOP	9956-040-003
PUSHBUTTON/ESCUTCHEON	9957-300-001
METERING SERVOMOTOR	9955-000-003

NOTE:
 • ALL TUBING SHOULD BE CUT SQUARE AND BE FREE OF BURRS OR DEFORMITIES TO ENSURE A WATER TIGHT CONNECTION.
 • EXTEND TUBING AT LEAST 1/4" BEYOND FERRULE NUT AND INSERT TUBING INTO CONNECTION OPENING BEFORE TIGHTENING.
 • TUBING SHOULD BE FREE OF KINKS TO ENSURE PROPER OPERATION.
 • MAXIMUM RECOMMENDED WORKING WATER PRESSURE IS 100 PSI; TEMPERATURE IS 130° F; OUTLET TEMPERATURE IS RECOMMENDED AT A MAXIMUM OF 105° F.
 WARNING:
 PRIOR TO MAKING INSTALLATION, SUPPLY LINES MUST BE FLUSHED OF ALL FOREIGN MATERIAL SUCH AS PIPE DOPE, CHIPS, SOLDER, ETC. VALVE MUST BE DRAINED PRIOR TO BEING SUBJECTED TO FREEZING TEMPERATURES. MAXIMUM RECOMMENDED OUTLET WATER TEMPERATURE IS 105° F.

TIMING IS ADJUSTABLE FROM 5 TO 60 SECONDS AND IS ACCOMPLISHED BY ROTATING TIMING SCREW (8). TURNING THE TIMING SCREW CLOCKWISE INCREASES METERING TIME WHILE TURNING THE SCREW COUNTERCLOCKWISE DECREASES METERING TIME.

INSTALLATION INSTRUCTIONS:

- A- MOUNT FIXTURE IN ACCORDANCE TO MANUFACTURER'S INSTALLATION INSTRUCTIONS.
- B- ASSEMBLE PUSHBUTTONS AND OR SHOWER NOZZLES TO FIXTURE IF REQUIRED.
- C- CONNECT 1/8" O.D. POLYETHYLENE AIR LINE (1) TO PUSHBUTTON (2) AND VALVE TIMER ASSEMBLY (3). SEE DETAILS 'A' & 'B'. HAND TIGHTEN FERRULE NUT (4) PROVIDED.

- D- CONNECT SHOWER RISER (5) TO VALVE ASSEMBLY ELBOW (6). SEE DETAIL 'C' AND 'D'. HAND TIGHTEN FERRULE NUT (7) PROVIDED.
- E- AFTER THOROUGHLY FLUSHING SUPPLY LINES, MAKE UP CONNECTIONS TO VALVE ASSEMBLY INLET(S) 1/2" NPT OR 1/2" NPS FLEX HOSE AS REQUIRED.

ACORN ENGINEERING COMPANY P.O. BOX 3527 INDUSTRY, CA. 91744 (626) 336-4561 FAX (626) 961-2200	TITLE HAND OPERATED, AIR-CONTROL VALVE SHOWER CONNECTIONS		
	MANUFACTURE DATE OCTOBER 2010 TO PRESENT	DATE ISSUED 10/28/10	DRAWING NUMBER 9900-006-003
		DATE REVISED	