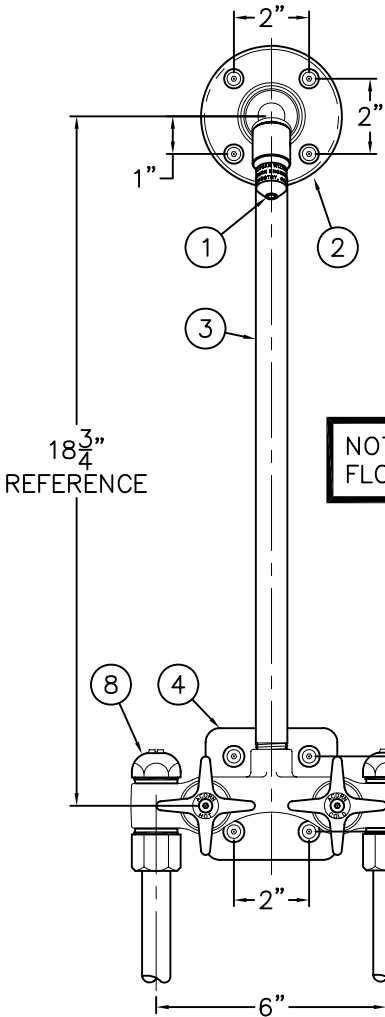
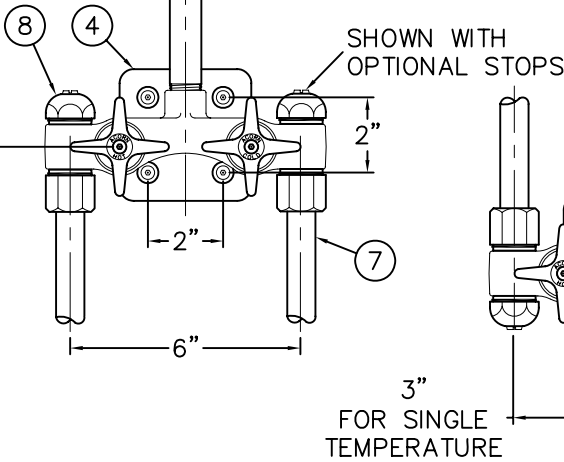
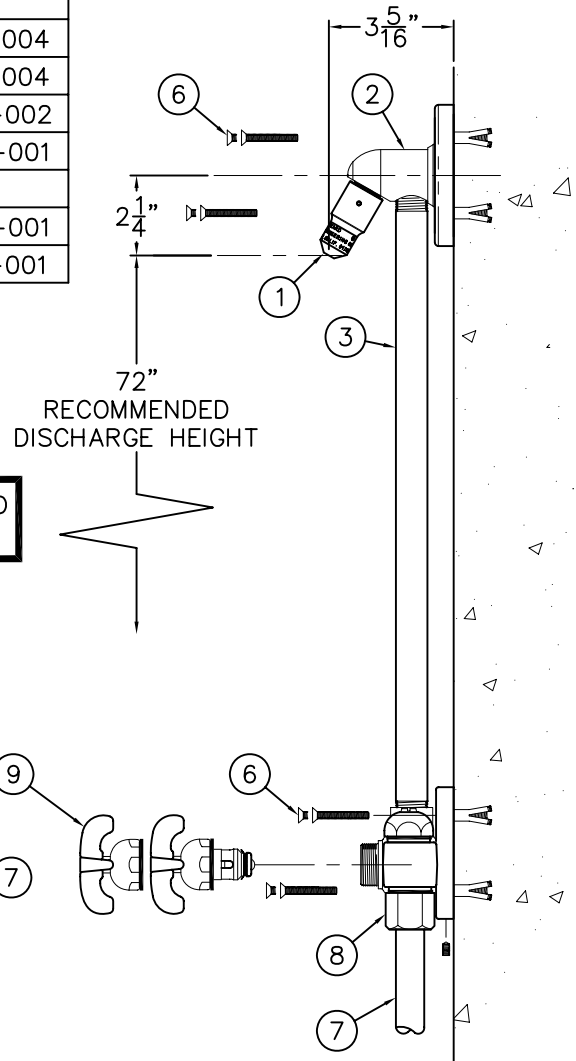




REFERENCE DRAWINGS	
SHOWERHEAD	9970-110-004
NOZZLE	9970-101-004
STOPS	9975-125-002
FLO-CLOZ CARTRIDGE	9975-000-001
VALVE BODY PARTS	
FLO-CLOZ -H & C	9975-060-001
FLO-CLOZ -S/T	9975-061-001



NOTE: MODEL SHOWN IS 521 HOT & COLD FLO-CLOZ VALVE.



NOTE: TEFLON TAPE RECOMMENDED ON MALE THREADED RISER/INLET CONNECTIONS.

- A- ASSEMBLE SHOWER NOZZLE (1), SHOWERHEAD BASE (2), SHOWERHEAD RISER (3) AND VALVE BASE ASSEMBLY (4) TOGETHER.
- B- USING COMPLETED SHOWER ASSEMBLY AS A TEMPLATE, LOCATE AND INSTALL WALL ANCHORS (5) BY OTHERS AT DESIRED SHOWERHEAD HEIGHT.
- C- ANCHOR ASSEMBLY TO WALL USING 1/4-20 x 1-1/2" LONG HARDWARE PROVIDED (6).
- D- CONNECT 1/2" NPS X 25" LONG CHROME PLATED SUPPLY INLET RISER(S) (7) PROVIDED TO UNION INLET CONNECTION (8) ON VALVE BASE (4) USING 40 TO 50 LBS TORQUE. MAKE UP 1/2" NPS SUPPLY CONNECTION(S) BY OTHERS TO CHROME PLATED SUPPLY INLET(S) (7). FLUSH SUPPLY LINE(S) THOROUGHLY.
- E- INSTALL VALVE CARTRIDGE(S) (9). TIGHTEN BONNET(S) TO 30 LBS TORQUE.

<p>ACORN ENGINEERING COMPANY P.O. BOX 3527 INDUSTRY, CA. 91744 (626) 336-4561 FAX (626) 961-2200</p>	<p>TITLE ZENITH EXPOSED FLO-CLOZ VALVE</p>		
	<p>MANUFACTURE DATE</p> <p>SEPTEMBER 1968</p> <p>TO PRESENT</p>	<p>DATE ISSUED</p> <p>07/06/09</p> <p>DATE REVISED</p>	<p>DRAWING NUMBER</p> <p>9900-305-002</p>