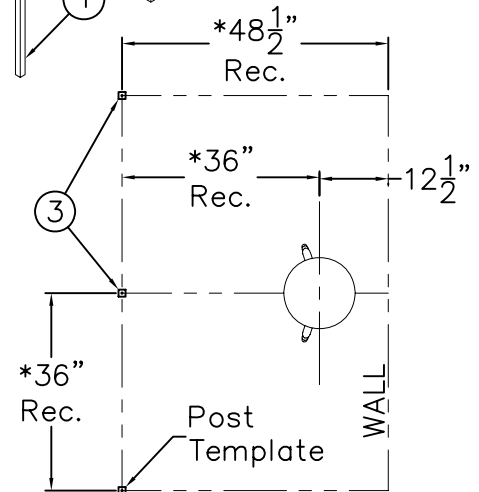
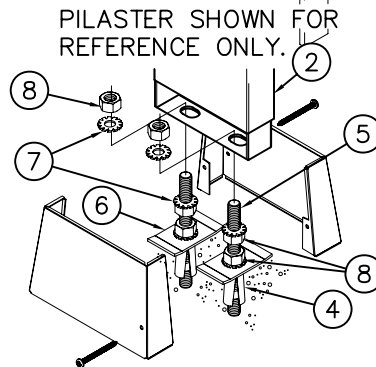
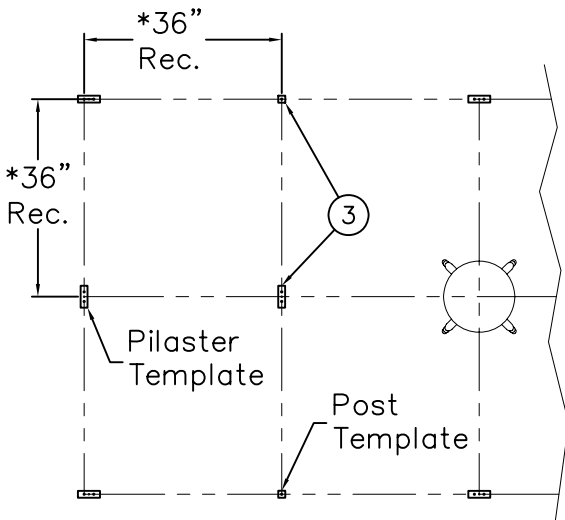
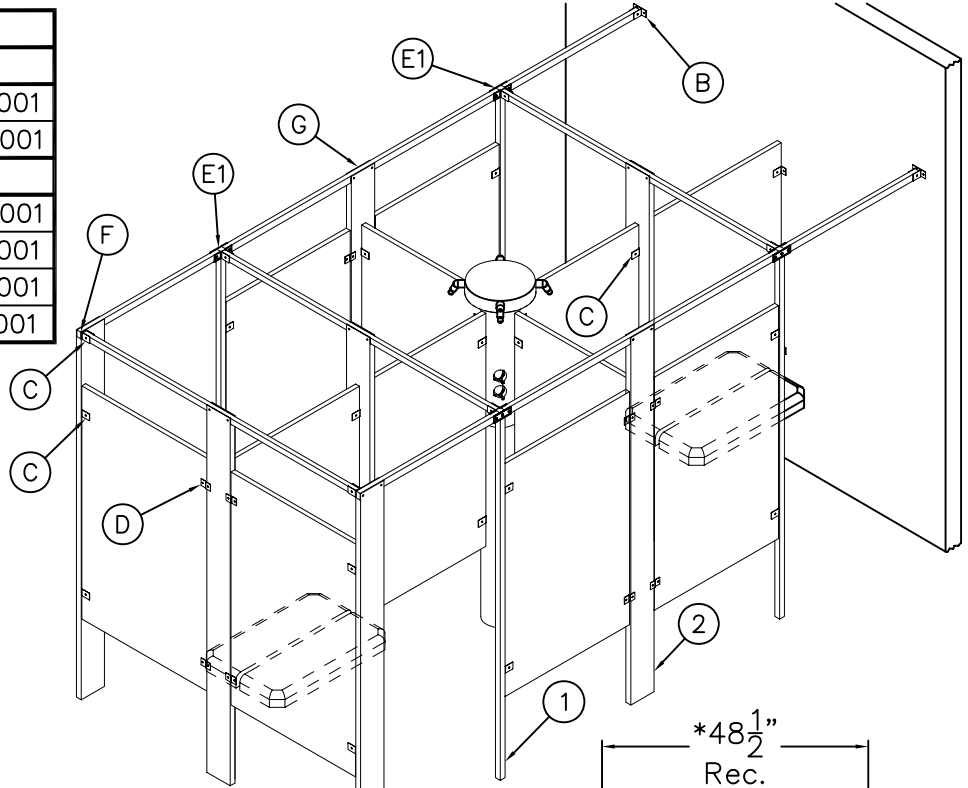




| REFERENCE DRAWINGS | |
|-------------------------|--------------|
| ASSEMBLIES | NUMBER |
| PANEL & DRILLING INSTR | 9920-121-001 |
| HEADRAIL INST & DETAILS | 9920-102-001 |
| REPAIR PARTS | |
| POST ANCHOR ASSY | 9959-100-001 |
| PILASTER ASSY | 9959-101-001 |
| WOOD SEAT | 9959-110-001 |
| METAL SEAT | 9959-111-001 |

LETTERED CALL OUTS REFER TO DETAILS ON DRAWING #9920-102-001.

RECOMMENDED DIMENSIONS SEE LAYOUT PRINT FOR ACTUAL DIMENSIONS.



INSTALLATION INSTRUCTIONS:

- A- REVIEW THE FLOOR LAYOUT DRAWINGS FOR DETAILS. ENSURE THAT ADEQUATE WALL AND FLOOR BACKING EXISTS BEFORE STARTING.
- B- INSTALL SHOWERS PER APPLICABLE INSTALLATION INSTRUCTIONS.
- C- USE A CHALK LINE TO LOCATE AND MARK LOCATION OF WALL BRACKETS AND POST OR PILASTER CENTERLINES. MARK POST ① AND OR ② PILASTER ANCHORING LOCATIONS USING TEMPLATES ③ INCLUDED. DRILL FOR EXPANSION SHIELDS ④ PROVIDED USING A 9/16" MASONRY BIT 1-9/16" DEEP.

- D- INSERT EXPANSION SHIELDS ④. THREAD STUDS ⑤ INTO FLOOR ANCHOR ④ AND POSITION ESCUTCHEON RETAINER ⑥, LOCKWASHER ⑦, HEX NUT ⑧ AND TIGHTEN ASSEMBLY TO THE FLOOR. THREAD LEVELING HEX NUT ⑧ AND LOCKWASHER ⑦ ONTO ASSEMBLY AND PLACE POST ① OR ② PILASTER ONTO ASSEMBLY. PLUMB POSTS / PILASTERS AND SECURE WITH LOCKWASHERS ⑦ AND HEX NUTS ⑧. SEE DETAIL "A1" FOR REFERENCE.

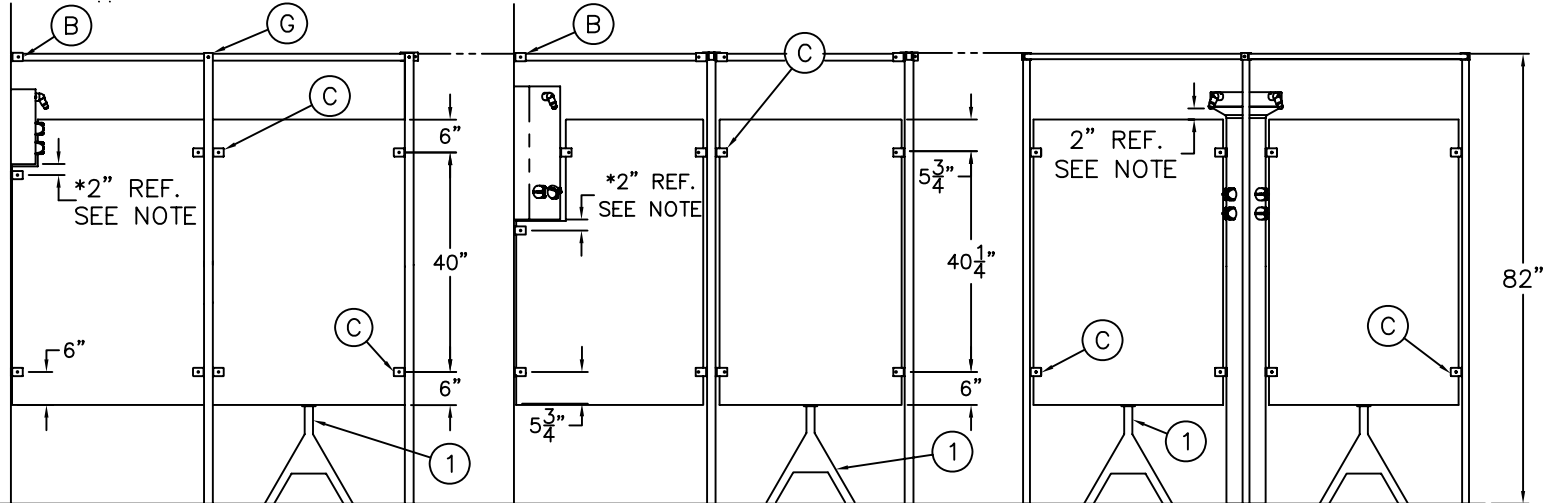
- E- USE A WALL BRACKET AS A TEMPLATE TO LOCATE WALL ANCHORING. TOP OF HEAD RAILS IS 82" ABOVE FINISHED FLOOR. SEE DETAIL "B" #9920-102-001.

- F- WALL ANCHORS AND ANCHORING HARDWARE ARE BY OTHERS.



ACORN ENGINEERING COMPANY
P.O. BOX 3527 INDUSTRY, CA. 91744
(626) 336-4561 FAX (626) 961-2200

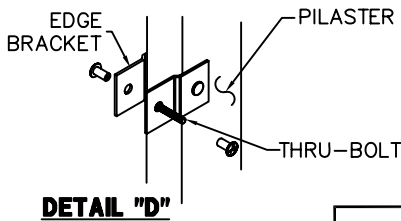
| | | |
|--|---------------------------------|---------------------------------------|
| TITLE DIANA MODULAR -LAYOUT AND ANCHORING (COLUMN) | | |
| MANUFACTURE DATE MARCH 1971 TO PRESENT | DATE ISSUED 12/01/89 | DRAWING NUMBER 9920-100-001 |
| | DATE REVISED 02/12/09 | |



ACME #110 SERIES SHOWN

APEX #460 SERIES SHOWN

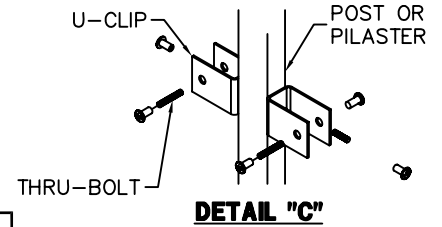
COLUMN #700 SERIES SHOWN



DETAIL "D"

NOTE:

DIMENSION IS FOR 72" SHOWERHEAD DISCHARGE HEIGHT. FOR SHOWERS WITH DIFFERENT DISCHARGE HEIGHTS, CONSULT FACTORY.



DETAIL "C"

REFERENCE DRAWINGS

| | |
|----------------------------|--------------|
| APEX & ACME LAYOUT | 9920-120-001 |
| COLUMN SHOWER LAYOUT | 9920-100-001 |
| HEADRAIL INSTALL & DETAILS | 9920-102-001 |

DRILLING INSTRUCTIONS

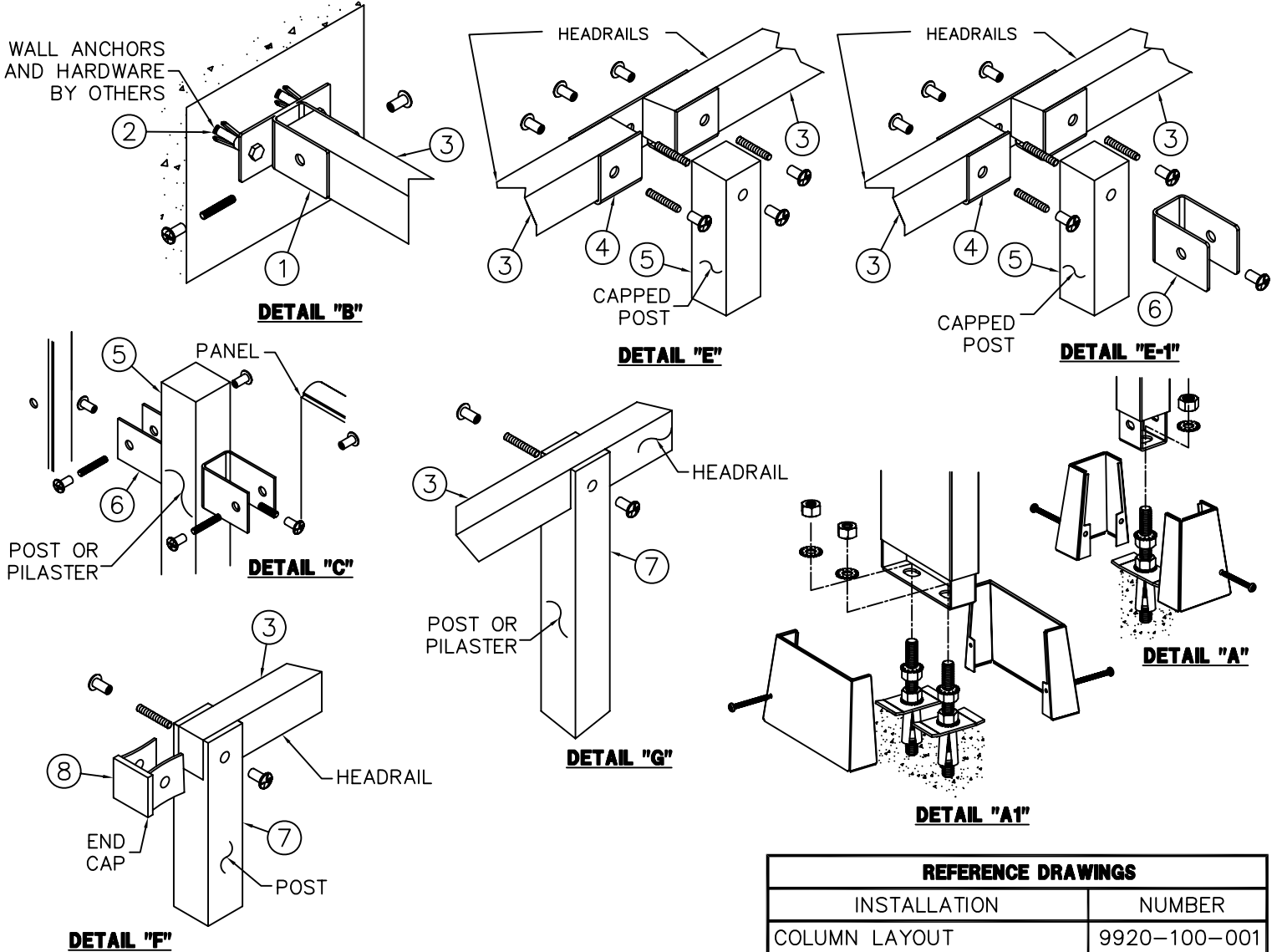
IMPORTANT: USE SHARP HEAT TREATED DRILL BIT AND A VARIABLE SPEED DRILL, KEEPING RPM'S LOW. DRILL MUST CUT AT ALL TIMES. DO NOT ALLOW BIT TO RIDE ON MATERIAL, THIS WILL CAUSE WORK-HARDENING. WORK-HARDENED STAINLESS STEEL IS VERY DIFFICULT TO DRILL OR TAP. USE OF DULL DRILL WITH HIGH SPEEDS WILL CAUSE DRILL TO BURN AND STAINLESS STEEL TO WORK-HARDEN. BURNED DRILL BITS CANNOT BE RE-SHARPENED AND SHOULD BE DISCARDED.

- A-USE A CENTER PUNCH TO LOCATE YOUR HOLE CENTER, TO KEEP DRILL BIT FROM WANDERING.
- B-USE A SHORT, SHARP, HEAT TREATED BIT AND APPLY HEAVY PRESSURE. USE ANY GOOD GRADE CUTTING OIL AS NEEDED WHILE DRILLING.
- C-USE OF BIBB WASHERS ON SHANK OF BIT IS RECOMMENDED TO PREVENT DRILL CHUCK FROM MARRING FINISH OF MATERIAL WHEN BREAKING THROUGH MATERIAL.

INSTALLATION INSTRUCTIONS

- A-ATTACH PANEL BRACKETS AS REQUIRED (SEE LAYOUT PRINT). UPPER AND LOWER PANEL BRACKETS ARE 40" O/C. CENTERLINE IS 6" BELOW TOP OF PANEL. SEE DRILLING INSTRUCTION ABOVE.
- PANEL TO WALL: DRILL WALL FOR PANEL BRACKETS. TOP OF PANELS ARE 2" BELOW SHOWER DISCHARGE HEIGHT (SEE NOTE ABOVE). LOCATE CENTER OF TOP BRACKET 6" BELOW TOP OF PANEL AND CENTER OF BOTTOM BRACKET 6" ABOVE THE BOTTOM OF PANEL, AS SHOWN ABOVE. IN CASE OF WALL MOUNTED SHOWERS (I.E. APEX) THE CENTER OF TOP BRACKET IS 2" BELOW THE BOTTOM OF SHOWER HOUSING. ACORN ENGINEERING DOES NOT FURNISH WALL ANCHORS OR ANCHORING HARDWARE. SEE DETAIL "B" DRAWING #9920-102-001.
- PANEL TO POST: DRILL POSTS USING THE SAME LOCATIONS AS SHOWN ABOVE. MOUNT WITH THRU-BOLTS SUPPLIED. SEE DETAIL "D" THIS DRAWING AND DETAIL "C" DRAWING #9920-102-001.
- B-PLACE PANELS AT CORRECT HEIGHT. USE A TEMPORARY SUPPORT ① UNDER THE PANEL. DRILL THROUGH PANELS USING BRACKETS AS TEMPLATES; ATTACH WITH THRU-BOLTS.

| | | | |
|--|---|--|--|
| <p>ACORN ENGINEERING COMPANY P.O. BOX 3527 INDUSTRY, CA. 91744 (626) 336-4561 FAX (626) 961-2200</p> | <p>TITLE DIANA MODULAR PANEL AND DRILLING INSTRUCTIONS</p> | | |
| | <p>MANUFACTURE DATE</p> <p>MARCH 1971</p> <p>TO PRESENT</p> | <p>DATE ISSUED</p> <p>12/01/89</p> | <p>DRAWING NUMBER</p> <p>9920-121-001</p> |
| | | <p>DATE REVISED</p> <p>08/06/07</p> | |



PART DESCRIPTIONS / INSTRUCTIONS:

HEAD RAIL TO WALL: USE WALL BRACKET ① AS TEMPLATE. ALIGN WALL BRACKET ① ON CHALK CENTERLINE TO LOCATE AND INSTALL WALL ANCHORING HARDWARE ② BY OTHERS. TOP OF HEAD RAIL ③ SHOULD BE 82" ABOVE FINISHED FLOOR. SEE DETAIL "B" AND REFER TO DRAWING #9920-121-001.

HEAD RAIL TO CAPPED POSTS: USE INTERMEDIATE BRACKET ④ AND CAPPED POSTS ⑤ TO JOIN TWO OR THREE HEAD RAILS ③. POSITION BRACKET ④, HEAD RAILS ③ AND POSTS AS SHOWN. MARK AND DRILL THRU POSTS AND ASSEMBLE TOGETHER WITH THRU BOLTS. SEE DETAIL "E". TO ADD A THIRD HEAD RAIL ③, ASSEMBLE U-CLIP ⑥ BRACKET TO POST ⑤ AS SHOWN IN DETAIL "E1".

NOTCHED POSTS AND PILASTERS: NOTCHED POSTS ⑦ AND PILASTERS ARE USED TO ALLOW THE HEAD RAIL ③ TO CONTINUE BEYOND A POST OR PILASTER. SEE DETAIL "G" & "F".

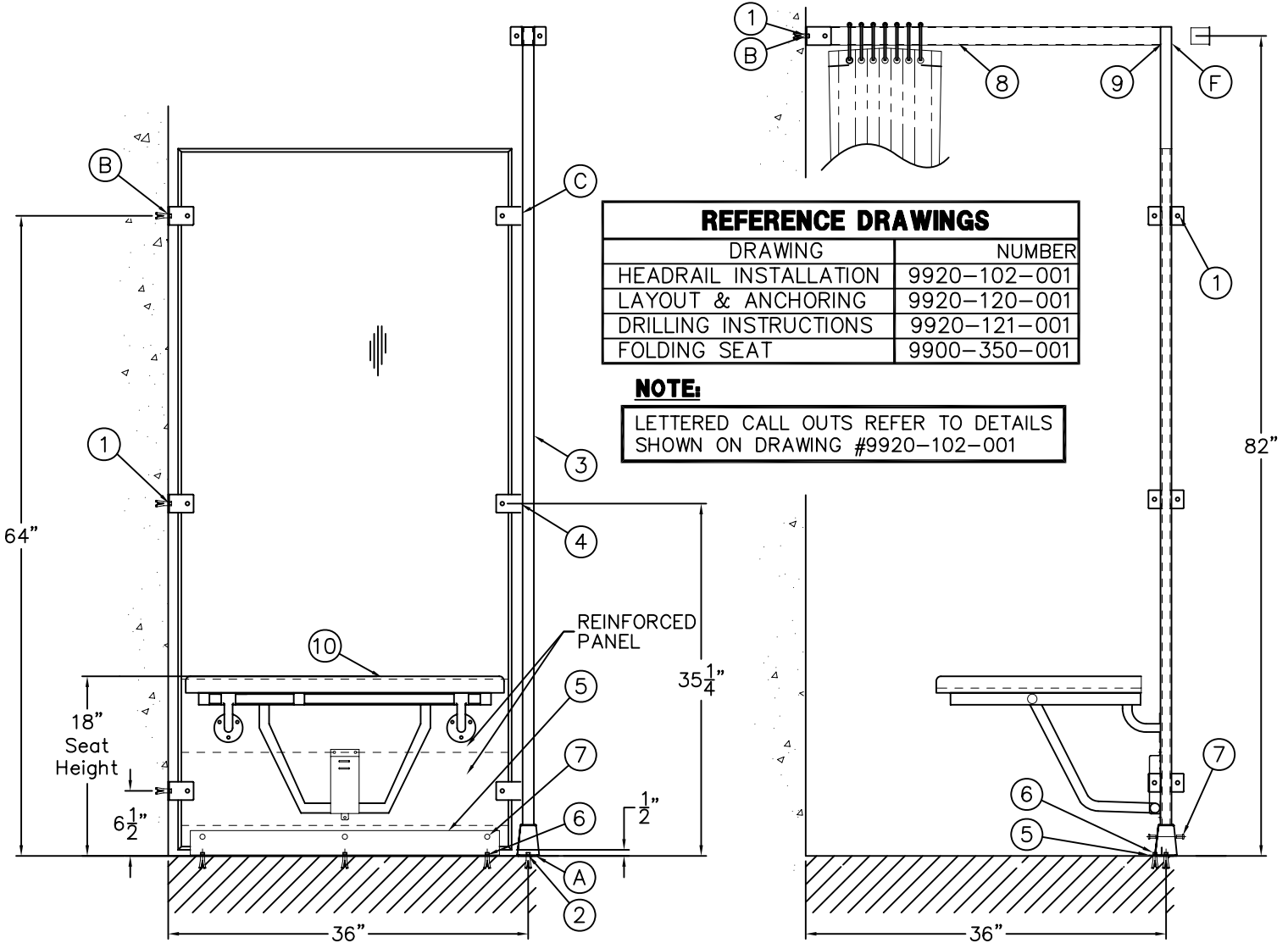
END CAPS: END CAPS ⑧ ARE USED AT EXPOSED ENDS OF HEAD RAILS ③. SEE DETAIL "F".

ESCUTCHEONS: INSTALL ESCUTCHEONS ⑨ AT THE FOOT OF ALL POSTS AND PILASTERS. DETAIL "A" AND DETAIL "A1".

CURTAINS: CURTAINS ARE OPTIONALLY AVAILABLE.

| REFERENCE DRAWINGS | |
|-------------------------|--------------|
| INSTALLATION | NUMBER |
| COLUMN LAYOUT | 9920-100-001 |
| ACME / APEX LAYOUT | 9920-120-001 |
| DRILLING INSTRUCTIONS | 9920-121-001 |
| REPAIR PARTS | |
| POST ANCHORING ASSY | 9959-100-001 |
| PILASTER ANCHORING ASSY | 9959-101-001 |

| | | | |
|---|--|---------------------------------|---------------------------------------|
| ACORN ENGINEERING COMPANY P.O. BOX 3527 INDUSTRY, CA. 91744 (626) 336-4561 FAX (626) 961-2200 | TITLE DIANA MODULAR HEADRAIL INSTALL & DETAILS | | |
| | MANUFACTURE DATE MARCH 1971 TO PRESENT | DATE ISSUED 12/01/89 | DRAWING NUMBER 9920-102-001 |
| | | DATE REVISED 08/06/07 | |



| REFERENCE DRAWINGS | |
|-----------------------|--------------|
| DRAWING | NUMBER |
| HEADRAIL INSTALLATION | 9920-102-001 |
| LAYOUT & ANCHORING | 9920-120-001 |
| DRILLING INSTRUCTIONS | 9920-121-001 |
| FOLDING SEAT | 9900-350-001 |

NOTE:
LETTERED CALL OUTS REFER TO DETAILS SHOWN ON DRAWING #9920-102-001

INSTALLATION INSTRUCTIONS:

- A- REVIEW SHOWER ROOM LAYOUT DRAWINGS IF REQUIRED. USE A CHALK LINE TO LOCATE AND MARK WALL BRACKETS AND POST CENTERLINES AS APPROPRIATE. INSTALL FLOOR AND WALL ANCHORS BEFORE ASSEMBLING COMPARTMENT.
- B- DRILL AND ANCHOR MOUNTING POINTS ON WALL FOR WALL BRACKETS (1) (FOR PANEL AND HEADRAIL), AND ON FLOOR FOR (2) CENTER OF POST. FLOOR ANCHOR PROVIDED FOR POST.
- C- DRILL MOUNTING HOLES TO POST (3) AND ASSEMBLE U-CLIPS (4) TO POST WITH HARDWARE PROVIDED.
- D- PROVIDE TEMPORARY PANEL SUPPORT 1/2" AFF AND DRILL MOUNTING HOLES IN PANEL. SECURE TO WALL BRACKETS (1) AND U-CLIPS (4) WITH HARDWARE PROVIDED.

- E- USE FLOOR ANGLE (5) AS A TEMPLATE TO LOCATE AND DRILL FLOOR AND PANEL FOR FLOOR ANCHORS (6) AND PANEL MOUNTING HOLES (7). INSTALL FLOOR ANCHORS, AND MOUNT FLOOR ANGLE TO FLOOR WITH INSTALLER PROVIDED ANCHORING HARDWARE (6) FOR .313" DIAMETER PUNCHING. SECURE PANEL TO FLOOR ANGLE WITH HARDWARE PROVIDED.
- F- FIT HEADRAIL WITH END CAP (8) IN WALL BRACKET (1), AND POST WITH END CAP (9), DRILL MOUNTING HOLES AND SECURE TO POST AND WALL BRACKET WITH HARDWARE PROVIDED.
- G- LOCATE SEAT (10) 18" AFF AND IN CENTER OF PANEL DRILL (9) MOUNTING HOLES AND INSTALL WITH HARDWARE PROVIDED.
- H- ALL WALL AND FLOOR ANCHORS AND ANCHORING HARDWARE ARE PROVIDED BY OTHERS, UNLESS OTHERWISE SPECIFIED.



ACORN ENGINEERING COMPANY
P.O. BOX 3527 INDUSTRY, CA. 91744
(626) 338-4561 FAX (626) 961-2200

| | | |
|---|--------------------------------|---------------------------------------|
| TITLE (ADA) SEAT MOUNTING ON REINFORCED (-RP) DIANA PANEL | | |
| MANUFACTURE DATE JANUARY 1997 TO PRESENT | DATE ISSUED 05/07/10 | DRAWING NUMBER 9900-351-002 |
| | DATE REVISED | |