

INSTALLATION INSTRUCTIONS



ACORN ENGINEERING
COMPANY

CORTERRA SHOWER BASES
800-488-8999 or 626-336-4561
FAX 626-961-2200

P.O. BOX 3527, CITY OF INDUSTRY, CA 91744-0527 (USA)

www.acorneng.com



SHOWER BASES RECOMMENDED CLEANING & MAINTENANCE PROCEDURES

Acorn's Corterra Solid Surface material is composed of Cast Polyester Resin, Aluminum Trihydrate and Fillers. It is resistant to stains, impacts and burns. Complies with ANSI Z124.3.

Wash with a non-abrasive all-purpose cleaner and rinse with water. Wipe dry. *Never use cleansers with strong chemicals such as toilet bowl cleaners, rust removers, ceramic cooktop cleaners, paint or varnish removers, drain cleaners, metal cleaners, laquer thinners or oven cleaners.*

Surface damage, such as minor chips, scratches, burn marks and graffiti can be repaired with a fine grit abrasive cleaner, a Scotch-Brite pad or fine grit sandpaper. For more serious physical damage caused by vandalism, an Acorn Solid Surface Repair Kit is available. Contact factory for details.

CORTERRA SHOWER BASES

INSTALLATION INSTRUCTIONS



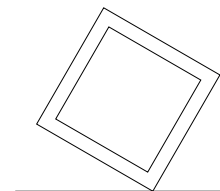
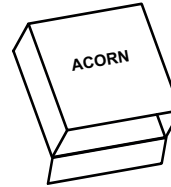
CORTERRA SHOWER BASES
 800-488-8999 or 626-336-4561
FAX 626-961-2200
 P.O. BOX 3527, CITY OF INDUSTRY, CA 91744-0527 (USA)



1 HANDLING
 Carefully remove **Base** from packaging prior to installation. Inspect for any damage. Avoid placing **Base** on its edges; this precaution will prevent damage to corners.

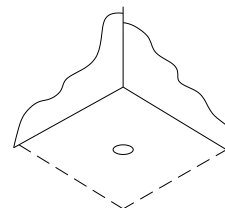
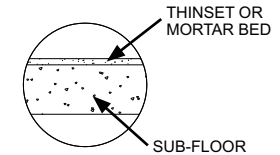
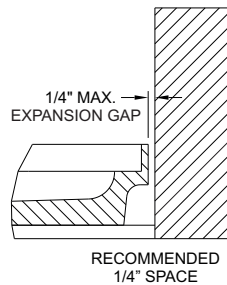
REMOVE SHOWER BASE CAREFULLY FROM PACKAGING

REMOVE PACKAGING WITH CARE



AVOID STANDING BASE ON EDGES

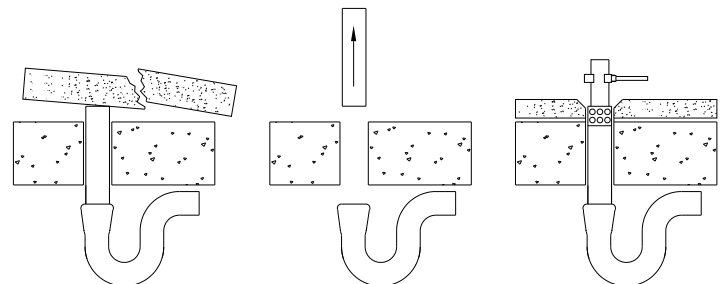
2 LEVELING
 Level **Base** carefully. For proper installation, establish a 1/4" maximum clearance between the **Base** and the walls. Place up to 1/2" of Mortar or Thinset and screed in area where the **Base** is to be installed. This procedure is recommended in order to support the **Base** should the Sub-Floor be uneven. Taper the Mortar/Thinset to a 1/4" thickness around the Drain Floor. **DO NOT** place Mortar/Thinset closer than 2" from the edge of the **Base** or the Floor Drain opening.



DOTTED AREA IS FOR CORTERRA BASE

3 WARNING!
DO NOT DROP BASE OVER EXPOSED PIPE

It is advisable to remove Drain Pipe prior to setting **Base** in place. Insert Pipe through Drain in **Base** into P-Trap. Tighten with an Internal Pipe Wrench.



REMOVE PIPE FROM P-TRAP

RE-INSERT PIPE AND TIGHTEN WITH AN INTERNAL WRENCH

INSTALLATION INSTRUCTIONS



CORTERRA SHOWER BASES
 800-488-8999 or 626-336-4561
 FAX 626-961-2200

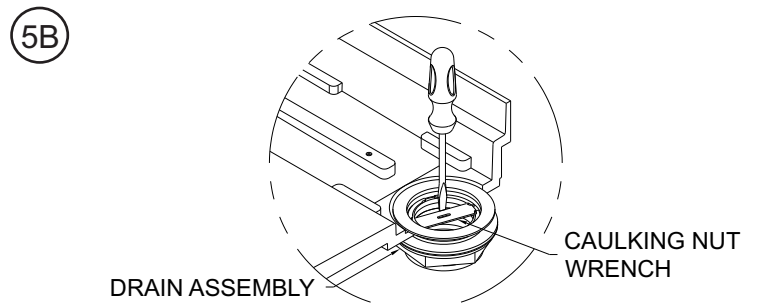
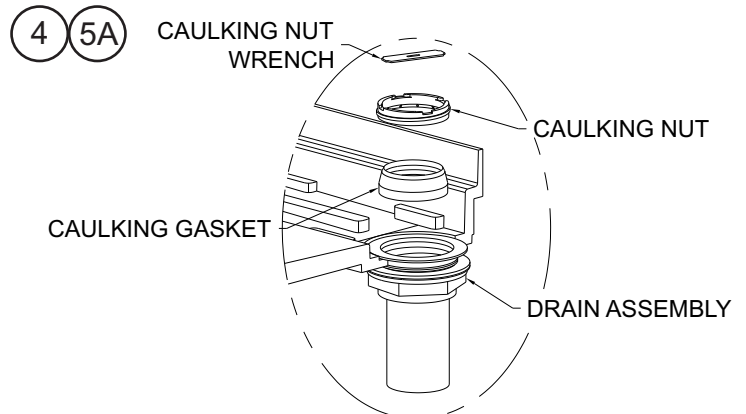
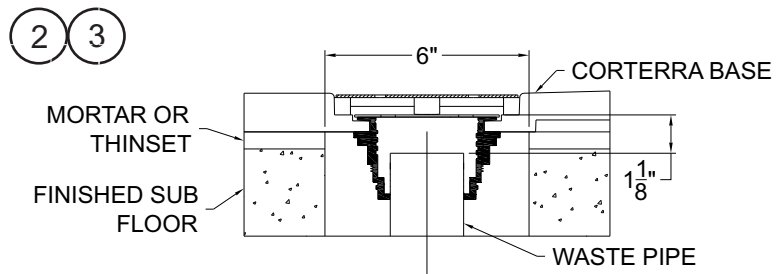
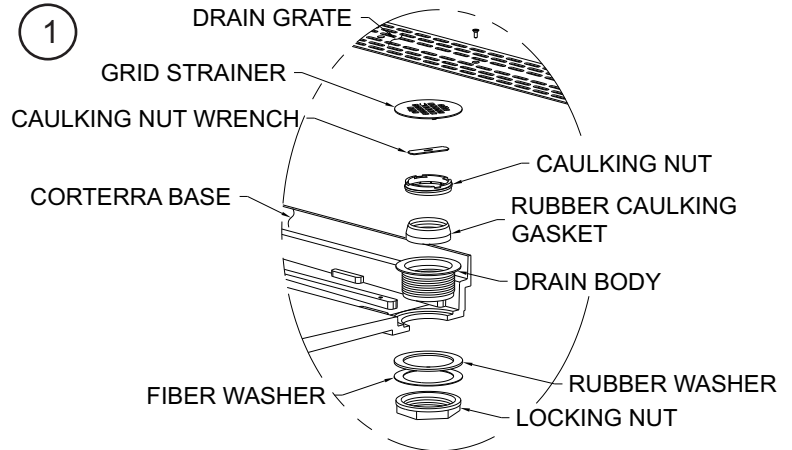
P.O. BOX 3527, CITY OF INDUSTRY, CA 91744-0527 (USA)



SHOWER BASE

4 INSTALLATION:

1. Remove Drain Grate and assemble Drain Body to Corterra **Base** and tighten Locking Nut to affix Drain to **Base**.
2. Cut & dry-fit Drain to Pipe to 1-1/8" below top of Drain Body.
3. Position Corterra **Base** over 2" IPS Waste Pipe assembly and ensure the Pipe is centered in the Drain Body. Use a Carpenter's Level to ensure base is level. Base should be evenly supported.
4. Lubricate Gasket with soap solution and stretch over 2" Pipe with beveled edge and push Gasket as far as possible into joint.
- 5A. Thread Caulking Nut with Wrench provided to secure Drain to Pipe.
- 5B. Use Screwdriver if necessary.
6. Test connection before covering or concealing. To test: Plug Drain and fill Receptor with water. Check for leaks. **This must be done before finishing walls.**
7. Attach Drain Grate and Strainer to Drain Assembly.



INSTALLATION INSTRUCTIONS



ACORN ENGINEERING
COMPANY

CORTERRA SHOWER BASES
800-488-8999 or 626-336-4561
FAX 626-961-2200

P.O. BOX 3527, CITY OF INDUSTRY, CA 91744-0527 (USA)



SHOWER BASE

5 WARNING!

MODEL WITH TILING FLANGE OPTIONS:

- DO NOT let Rough Wall material overlap Flange.
- Do not nail or screw Flange to Building Wall.
- Let Finished Wall (Tile, etc.) overlap and rest on shoulder.
- Acorn assumes no responsibility for problems due to faulty installation or inadequate floor support.

