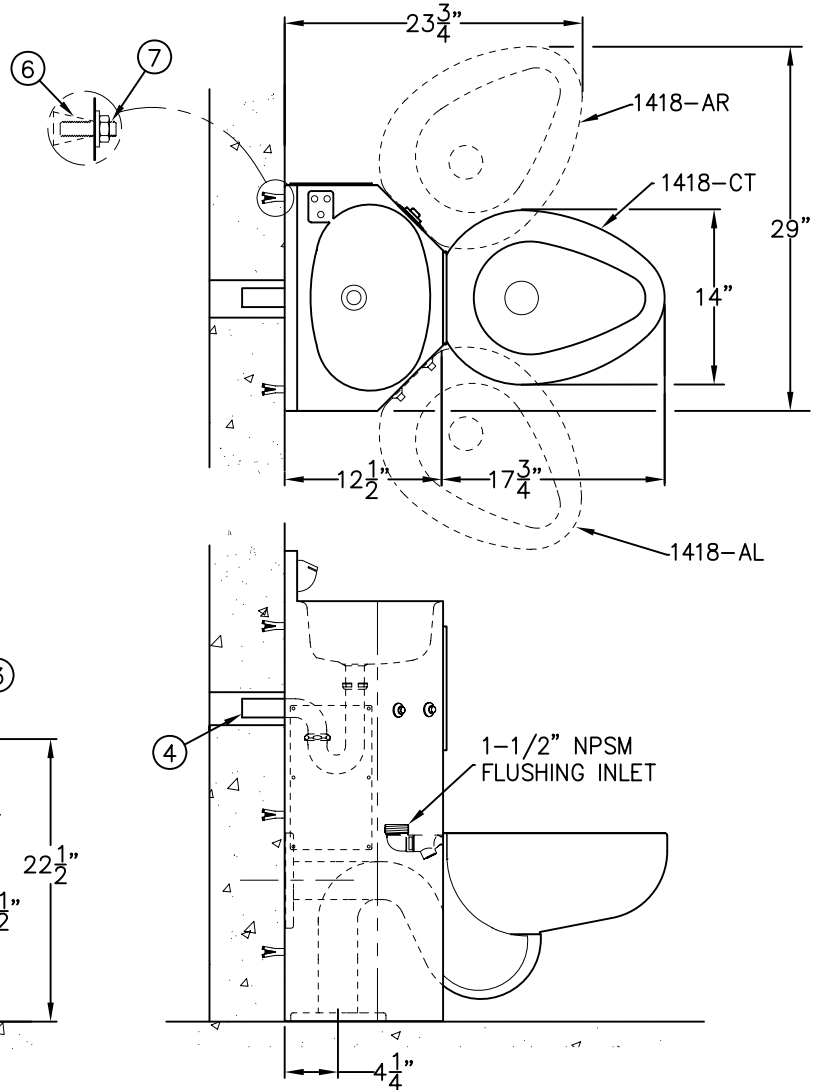
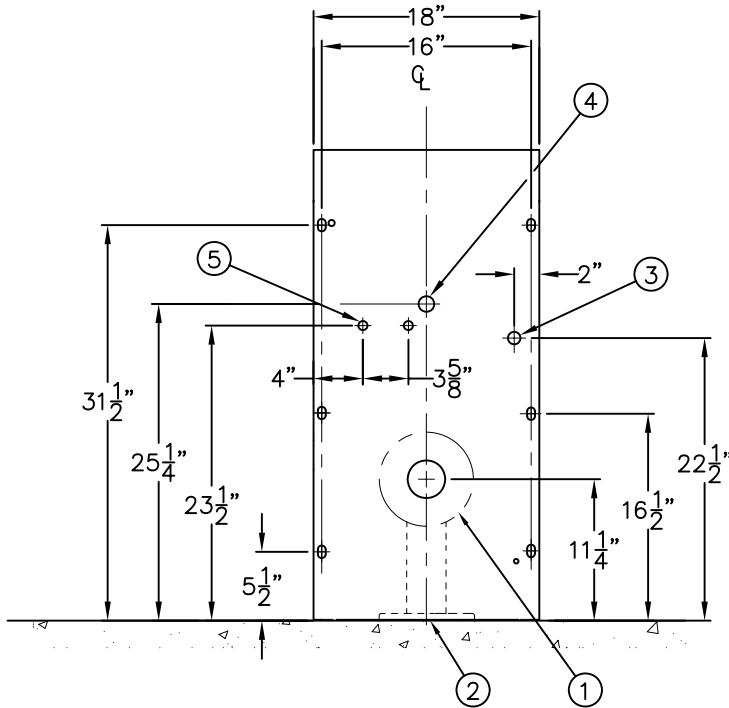




REFERENCE DRAWINGS	
-4 VALVE BODY HOT & COLD	9955-005-003
-3 VALVE BODY SINGLE TEMP	9955-006-003
SLEEVE INSTALLATION	9925-207-001

**ROUGH-IN VIEW FROM FIXTURE SIDE OF 1418FA-CT & 1418FA-AR UNITS FOR FLOOR OR WALL OUTLET. 1418FA-AL UNITS OPPOSITE.**



**INSTALLATION INSTRUCTIONS:**

**IMPORTANT:** SOME OPTIONS MAY SLIGHTLY ALTER INSTALLATION PROCEDURES. READ ALL SUPPLEMENTAL DRAWINGS BEFORE INSTALLATION OF FIXTURE. ALL FASTENERS, PLATES AND NUTS PROVIDED ARE ESSENTIAL IN PROPERLY ANCHORING THE FIXTURE. ACORN CANNOT ASSUME ANY RESPONSIBILITY FOR UNITS IMPROPERLY INSTALLED.

**A- ROUGH-IN PLUMBING FOR THE FOLLOWING CONNECTIONS:**

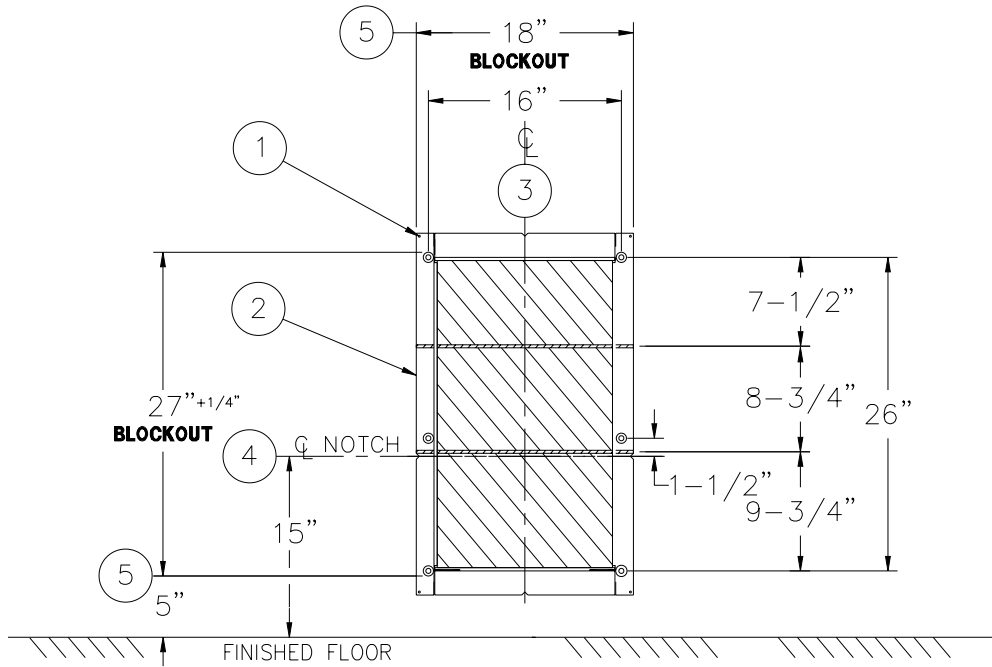
- **TOILET WALL WASTE OUTLET:** 7-1/2" DIA. RECESSED GASKET FLANGE (1).
- **TOILET FLOOR WASTE OUTLET:** 7-1/2" DIA. RECESSED GASKET FLANGE WITH 5/16" TAPPINGS AT 6" O/C (2).
- FLUSH VALVE INLET CONNECTION 1" NPT (3).
- LAVY WASTE OUTLET (4) 1-1/2" O.D. PLAIN END STANDARD.
- 1/2" NPS LAVY VALVE ROUGH-IN (5).

- B- USE INSTALLER PROVIDED 1/2" WALL ANCHORS (6). SECURE (6) 1/2"-13 UNC STUDS (7) INTO WALL ANCHORS OR FOR UNITS WITH OPTIONAL -SW WALL SLEEVES; SECURE 1/2"-13 STUDS TO SLEEVE ANCHOR TAPPINGS.
- C- INSTALL HYDRAULIC FLUSH VALVE AND PUSHBUTTON (SHIPPED LOOSE) WITHIN CABINET.
- D- BEFORE FASTENING FIXTURE TO THE WALL, FLOOR OUTLET TYPE FIXTURES MUST BE SET IN PLACE ON WASTE CONNECTION.
- E- LOCATE FIXTURE INTO PLACE, REMOVE ACCESS PANELS, SECURE FIXTURE TO WALL ANCHORS OR SLEEVE ANCHORS WITH NUTS AND WASHERS. MAKE SUPPLY AND WASTE CONNECTIONS AS REQUIRED. LAVY WASTE OF 1-1/2" O.D. PLAIN END SUITABLE FOR A COMPRESSION CONNECTION.

**HYDRAULIC FLUSH VALVE NOTES:**

1. DO NOT CUT LENGTH OF TUBING PROVIDED.
2. DO NOT TAPE OR FIX TUBING IN A STATIONARY POSITION.

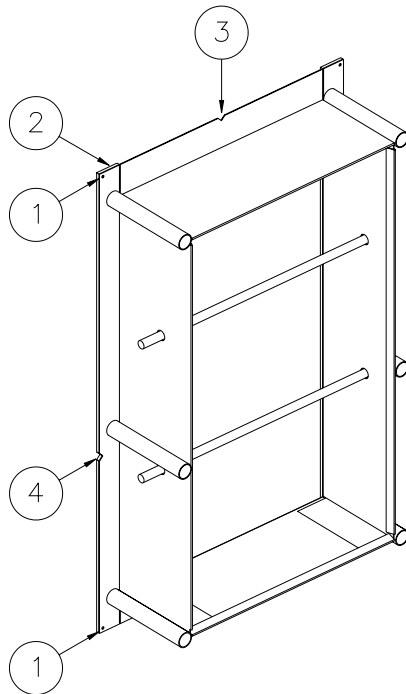
ACORN ENGINEERING COMPANY P.O. BOX 3527 INDUSTRY, CA. 91744 (626) 336-4561 FAX (626) 961-2200	<b>TITLE</b> <b>18" LAV-TOILET FRONT ACCESS COMBY ANCHORING CAT. *1418FA</b>	
	<b>MANUFACTURE DATE</b> APRIL 30, 1998 TO PRESENT	<b>DATE ISSUED</b> 3/19/98 <hr/> <b>DATE REVISED</b> 10/19/10



**WALL SLEEVE (-SW)**

**VIEW IS FROM CELL SIDE**

SHADED AREAS ARE REQUIRED WALL OPENINGS



**WALL SLEEVE (-SW)**

**WALL SLEEVE**

SLEEVES ARE INSTALLED IN FORMS (USING NAIL HOLES ① PROVIDED) OR GROUTED INTO BLOCK WALLS, BECOMING A PERMANENT PART OF WALL.

- A. INSTALL SLEEVE WITH FLANGE ② ON CHASE SIDE OF WALL.
- B. LOCATE TOP AND BOTTOM NOTCHES AT VERTICAL CENTERLINE ③ OF PLUMBING FIXTURE.
- C. LOCATE SIDE NOTCHES ④ AT DIMENSION SHOWN, MEASURED FROM THE FINISHED FLOOR ON CELL (FIXTURE) SIDE.

**NOTES:**

- 1. FOR POURED WALL CONSTRUCTION, TEMPORARY BRACING SHOULD BE INSTALLED WITHIN SLEEVE OPENING TO PREVENT DEFORMATION TO SLEEVE WHICH MAY OCCUR DURING POUR. DO NOT POUR CONCRETE DIRECTLY ON TOP OF WALL SLEEVE.
- 2. WHEN SLEEVES ARE NOT AVAILABLE BLOCKOUT FOR SLEEVE OPENING IN WALL PER DIMENSIONS SHOWN ⑤.

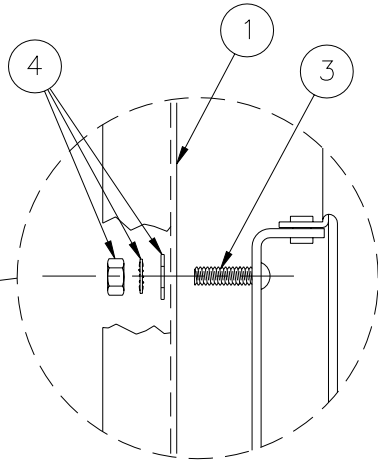


**ACORN ENGINEERING COMPANY**  
P.O. BOX 3527 INDUSTRY, CA. 91744  
(626) 336-4561 FAX (626) 961-2200

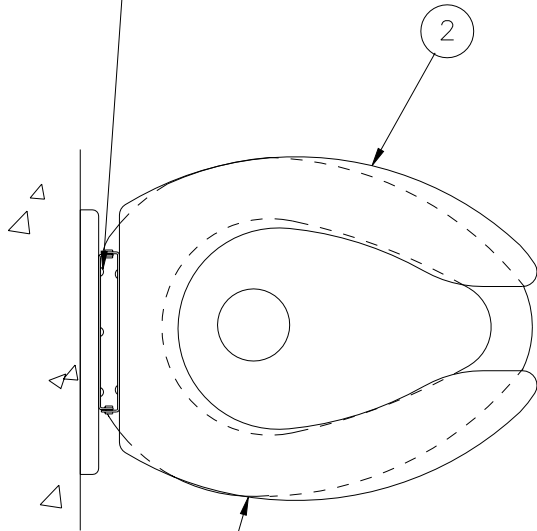
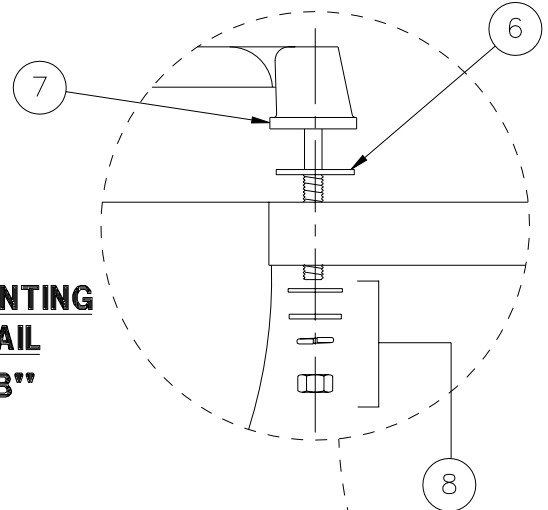
TITLE <b>WALL SLEEVE FRONT ACCESS (CAT. #1418 -FA)</b>		
MANUFACTURE DATE <b>JUNE 1971 TO PRESENT</b>	DATE ISSUED <b>9-23-92</b>	DRAWING NUMBER <b>9925-207-001</b>
	DATE REVISED <b>6/16/98</b>	



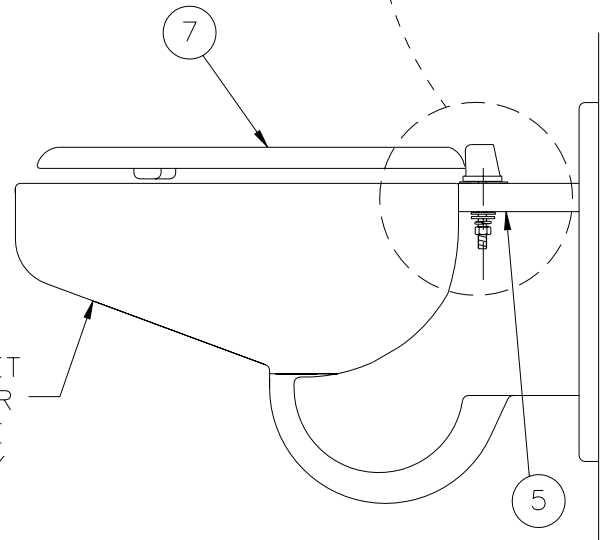
**MOUNTING  
DETAIL  
"A-A"**



**MOUNTING  
DETAIL  
"B-B"**



1679 TOILET  
SHOWN FOR  
REFERENCE  
ONLY



1675 TOILET  
SHOWN FOR  
REFERENCE  
ONLY

**INSTALLATION INSTRUCTIONS-COMBY AND 1679 TOILET  
PRIOR TO MOUNTING FIXTURE ON WALL:**

- A- LOCATE HINGED SEAT MOUNTING HOLES ON FIXTURE ①.
- B- POSITION HINGED SEAT ② AGAINST UNIT ① BY INSERTING SCREWS ③ INTO MOUNTING HOLES.
- C- ASSEMBLE NUT, WASHER AND LOCK-WASHER ④ AS SHOWN IN MOUNTING DETAIL "A-A".

**INSTALLATION INSTRUCTIONS-TOILETS  
PRIOR TO MOUNTING FIXTURE ON WALL:**

- A- LOCATE HINGED SEAT MOUNTING HOLES IN FIXTURE ⑤.
- B- INSERT WASHERS ⑥ BETWEEN TOP OF TOILET AND HINGE SEAT ⑦.
- C- POSITION HINGED SEAT ⑦ ON TOP OF UNIT.
- D- ASSEMBLE HARDWARE ⑧ AS SHOWN IN MOUNTING DETAIL "B-B"



**ACORN ENGINEERING COMPANY**  
P.O. BOX 3527 INDUSTRY, CA. 91744  
(626) 336-4561 FAX (626) 961-2200

TITLE **-HS HINGED SEAT OPTION INSTALLATION DETAIL - COMBYS AND TOILETS**

MANUFACTURE DATE  
**FEBRUARY 1999**  
**TO PRESENT**

DATE ISSUED  
**02/22/99**  
DATE REVISED  
**03/26/01**

DRAWING NUMBER  
**9925-048-001**



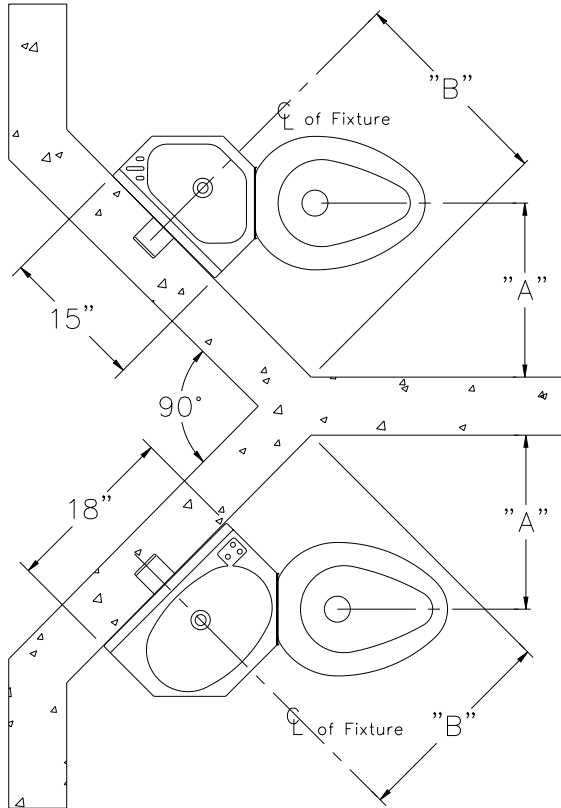
Model #	Dimensions	
	"A"	"B"
1415	15"	18"
1415	18"	22"

Note:  
"B" Dimensions are taken from cell side.

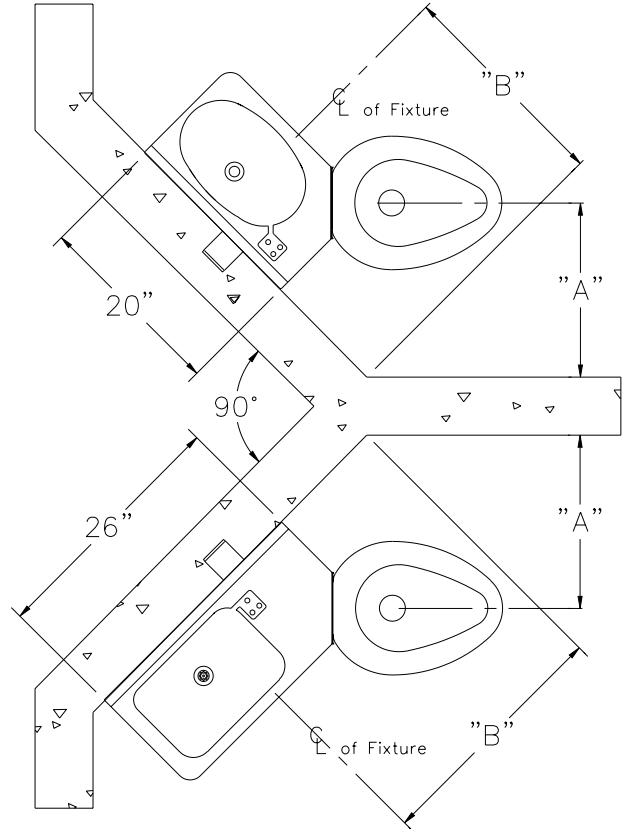
Model #	Dimensions	
	"A"	"B"
1420	15"	18"
1420	18"	23"

Note:  
"B" Dimensions are taken from cell side.

1415-AL Angled left shown  
-AR Angled right opposite



1420-AL Angled left shown  
-AR Angled right opposite



1418-AR Angled right shown  
-AL Angled left opposite

Model #	Dimensions	
	"A"	"B"
1418	15"	17"
1418	18"	22"

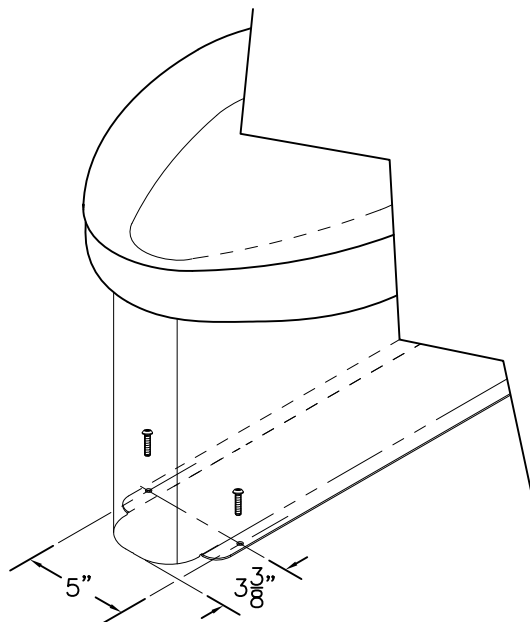
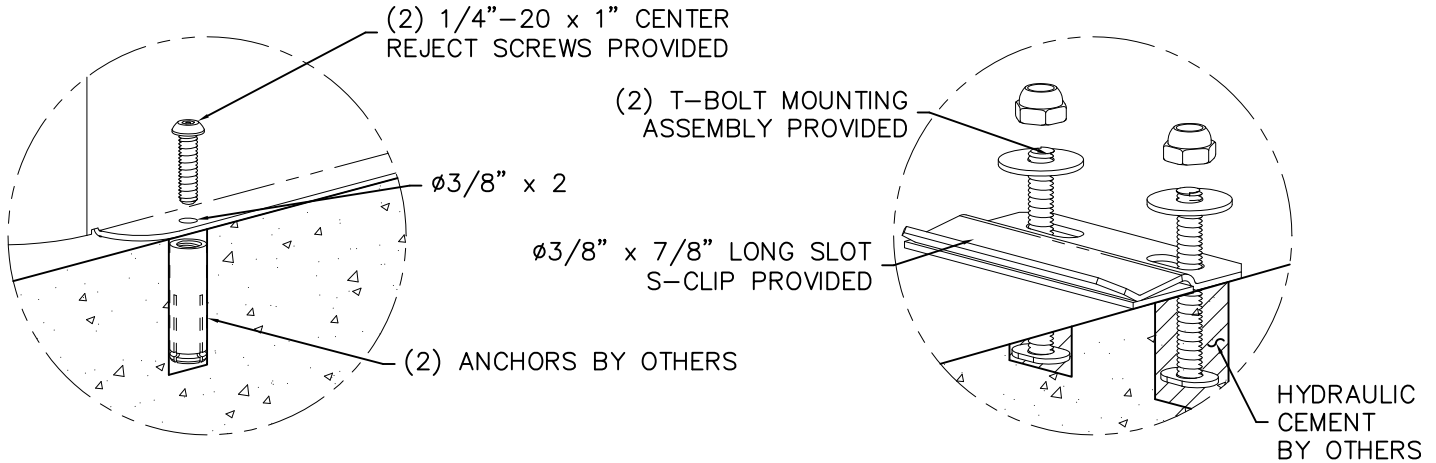
Note:  
"B" Dimensions are taken from cell side.

Model #	Dimensions	
	"A"	"B"
1426	15"	21"
1426	18"	26"

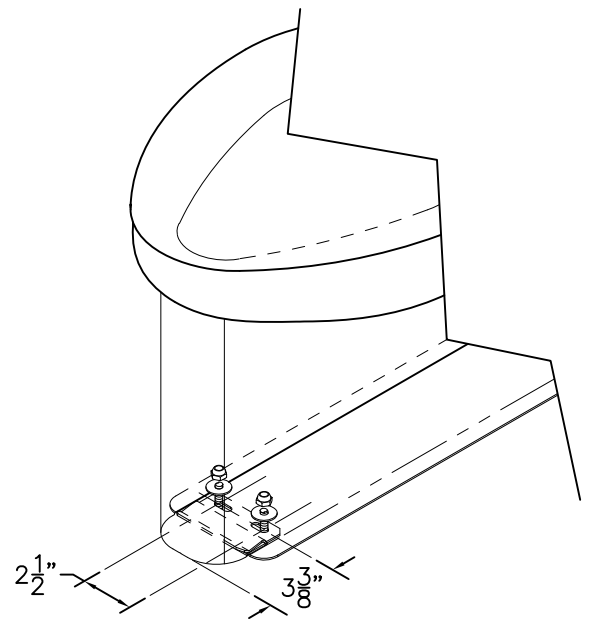
Note:  
"B" Dimensions are taken from cell side.

THIS SHEET IS INTENDED TO ASSIST INSTALLER WITH LOCATION OF UNIT CENTERLINE ON CHASE WALL WHEN ANGLED TOILET BOWLS ARE SPECIFIED.

<b>ACORN ENGINEERING COMPANY</b> P.O. BOX 3527 INDUSTRY, CA. 91744 (626) 336-4561 FAX (626) 961-2200	<b>TITLE</b> CELL LAYOUT FOR COMBY FIXTURES WITH -AL/-AR ANGLED TOILET BOWLS		
	<b>MANUFACTURE DATE</b> JUNE 1997 TO PRESENT	<b>DATE ISSUED</b> 6/5/97 DATE REVISED	<b>DRAWING NUMBER</b> 9925-038-001



**FLANGE MOUNTING**



**S-CLIP MOUNTING**

-SS-SPS SUICIDE RESISTANT SKIRT OPTION IS PROVIDED WITH ADDITIONAL MOUNTING POINTS NOT NORMALLY PROVIDED WITH OUR STANDARD FIXTURES AND COME IN TWO STYLES AS INDICATED BELOW.

**FIXTURES w/ FLANGE MOUNTING:**

- A-AFTER ROUGHING IN AS REQUIRED, PLACE FIXTURE IN POSITION AND USE AS TEMPLATE TO LOCATE AND MARK FLANGE POINTS ON FLOOR.
- B-REMOVE FIXTURE AND INSTALL FLOOR ANCHORS BY OTHERS FOR 3/8" DIAMETER FLANGE PUNCHING.
- C-ALIGN WALL AND FLOOR ANCHORING POINTS AND COMPLETE FIXTURE INSTALLATION AS INDICATED BY THE FIXTURE INSTALLATION SHEET PROVIDED.

**FIXTURES w/ S-CLIP:**

- A-AFTER ROUGHING IN AS REQUIRED, PLACE FIXTURE IN POSITION AND USE AS A TEMPLATE TO LOCATE AND MARK S-CLIP MOUNTING LOCATION ON FLOOR AS INDICATED.
- B-REMOVE FIXTURE, INSTALL T-BOLTS FOR S-CLIP 3/8" x 7/8" LONG MOUNTING SLOTS AND SECURE WITH HYDRAULIC CEMENT (BY OTHERS)
- C-INSTALL S-CLIP
- D-PLACE FIXTURE ON FLOOR POSITIONING THE "NOSE" OF THE SKIRT SEVERAL INCHES IN FRONT OF S-CLIP MOUNTING LOCATION, SLIDE FIXTURE INTO PLACE ENGAGING THE S-CLIP AND ALIGNING WALL MOUNTING LOCATIONS. COMPLETE FIXTURE INSTALLATION AS INDICATED BY THE FIXTURE INSTALLATION SHEET PROVIDED.

<p>ACORN ENGINEERING COMPANY P.O. BOX 3527 Industry, CA 91744 15125 Proctor Ave Industry, CA 91746 (626) 336-4561 FAX (626) 961-2200</p>	<p>TITLE <b>-SPS MOUNTING DETAIL</b></p>		
	<p>MANUFACTURE DATE</p> <p><b>AUGUST 2012</b></p> <p><b>TO PRESENT</b></p>	<p>DATE ISSUED</p> <p><b>08/15/12</b></p>	<p>DRAWING NUMBER</p> <p><b>9925-007-001</b></p>
		<p>DATE REVISED</p> <p><b>11/05/13 A</b></p>	