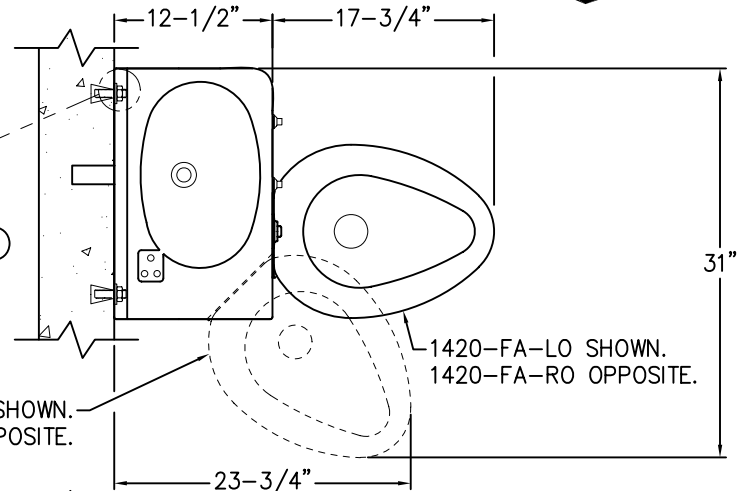
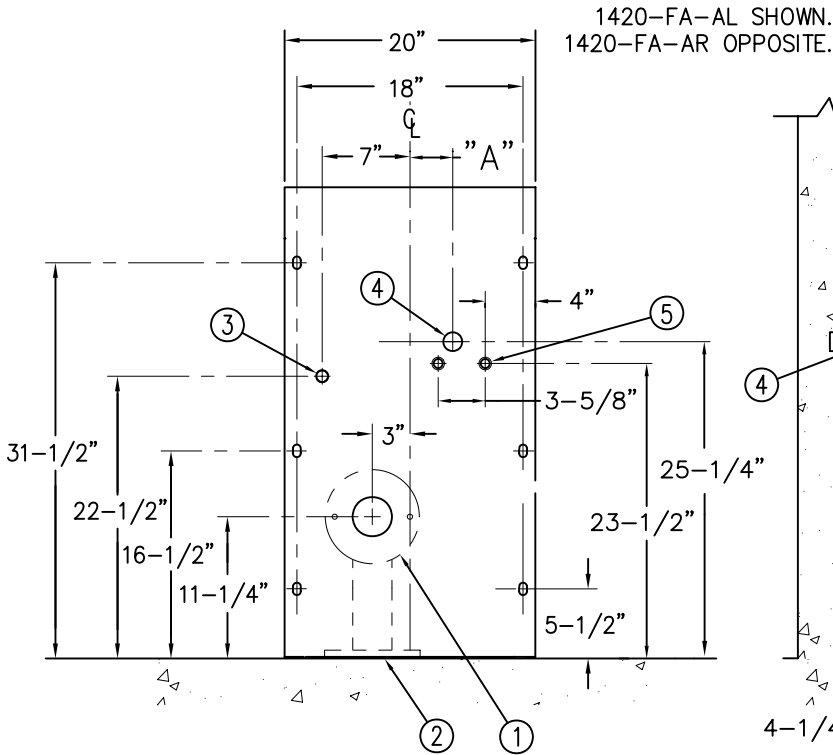


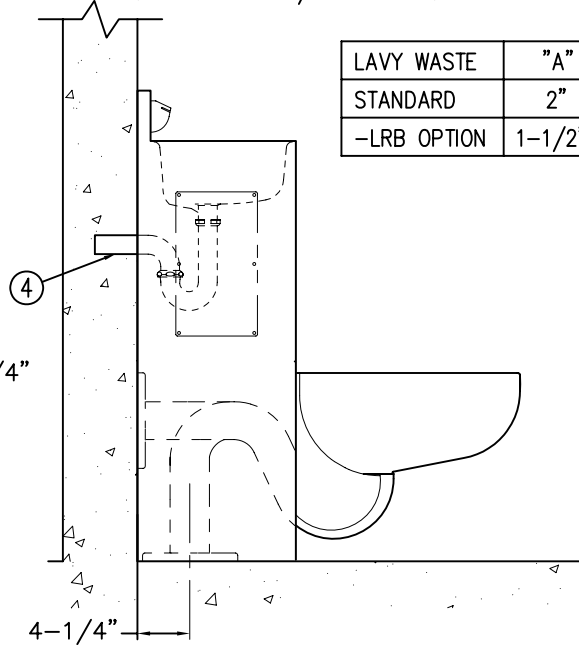


| REFERENCE DRAWINGS | | |
|---------------------------|--------------|--|
| -4 VALVE BODY HOT & COLD | 9955-005-003 | |
| -3 VALVE BODY SINGLE TEMP | 9955-006-003 | |
| SLEEVE INSTALLATION | 9925-208-001 | |
| AIR-TROL SERVOMOTORS | | |
| METERING | 9955-000-002 | |
| NON-METERING | 9955-001-002 | |

ROUGH-IN VIEW FROM FIXTURE SIDE OF 1420-FA-AL & 1420-FA-LO UNITS FOR FLOOR OR WALL OUTLET. 1420-FA-AR & 1420-FA-RO UNITS OPPOSITE.



| LAVY WASTE | "A" |
|-------------|--------|
| STANDARD | 2" |
| -LRB OPTION | 1-1/2" |



INSTALLATION INSTRUCTIONS:

IMPORTANT: SOME OPTIONS MAY SLIGHTLY ALTER INSTALLATION PROCEDURES. READ ALL SUPPLEMENTAL DRAWINGS BEFORE INSTALLATION OF FIXTURE. ALL FASTENERS, PLATES AND NUTS PROVIDED ARE ESSENTIAL IN PROPERLY ANCHORING THE FIXTURE. ACORN CANNOT ASSUME ANY RESPONSIBILITY FOR UNITS IMPROPERLY INSTALLED.

A- ROUGH-IN PLUMBING FOR THE FOLLOWING CONNECTIONS:

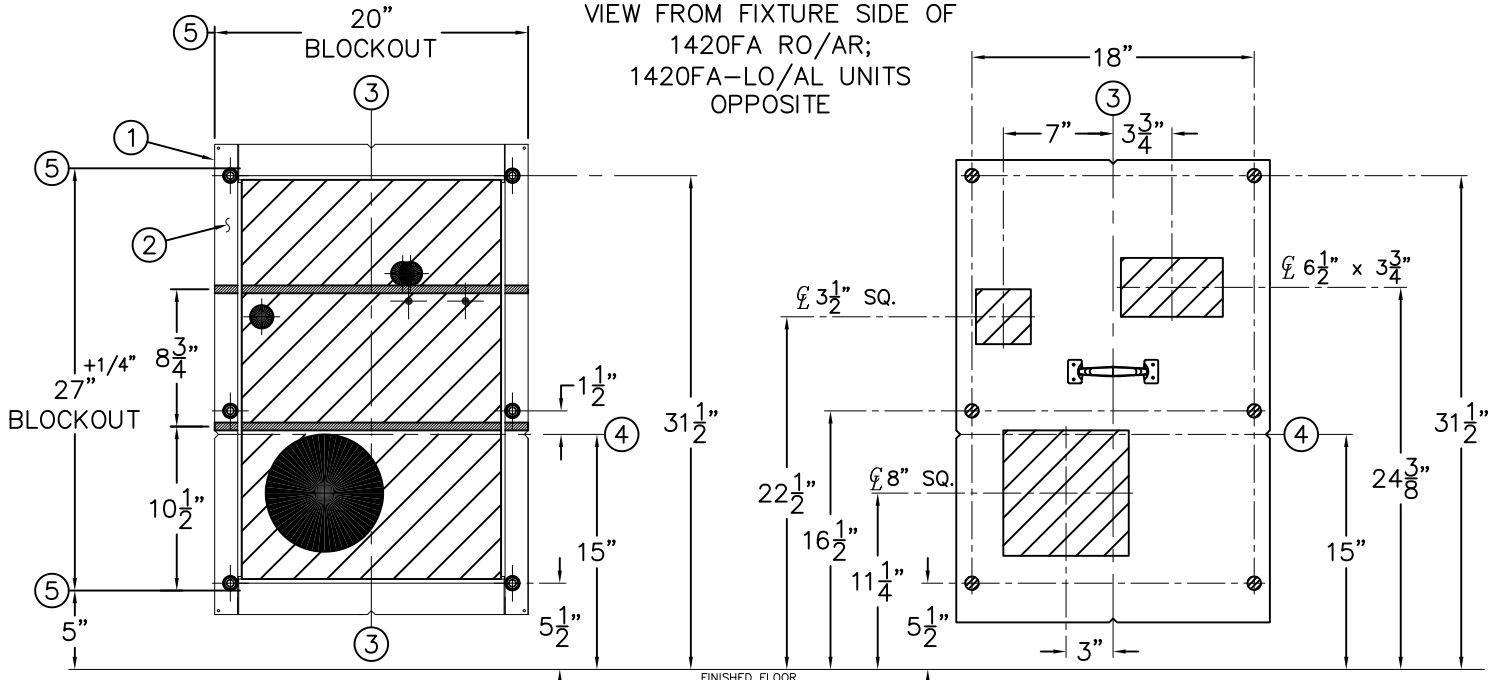
- **TOILET WALL WASTE OUTLET:** 7-1/2" DIA. RECESSED GASKET FLANGE (1).
- **TOILET FLOOR WASTE OUTLET:** 7-1/2" DIA. RECESSED GASKET FLANGE WITH 5/16" TAPPINGS AT 6" O/C (2).
- FLUSH VALVE INLET CONNECTION 1" NPT (3).
- LAVY WASTE OUTLET (4) 1-1/2" O.D. PLAIN END STANDARD.
- 1/2" NPS LAVY VALVE ROUGH-IN (5).

- B- INSTALL 1/2" WALL ANCHORS (6) BY OTHERS. SECURE (6) 1/2"-13 STUDS (7) INTO WALL ANCHORS OR FOR UNITS WITH OPTIONAL -SW WALL SLEEVES; SECURE 1/2"-13 STUDS TO SLEEVE ANCHOR TAPPINGS.
- C- INSTALL HYDRAULIC FLUSH VALVE AND PUSHBUTTON (SHIPPED LOOSE) TO CABINET.
- D- BEFORE FASTENING FIXTURE TO THE WALL, FLOOR OUTLET TYPE FIXTURES MUST BE SET IN PLACE ON WASTE CONNECTION.
- E- LOCATE FIXTURE INTO PLACE, REMOVE ACCESS PANELS, SECURE FIXTURE TO WALL ANCHORS OR SLEEVE ANCHORS WITH NUTS AND WASHERS. MAKE SUPPLY AND WASTE CONNECTIONS AS REQUIRED. LAVY WASTE OF 1-1/2" O.D. PLAIN END SUITABLE FOR A COMPRESSION CONNECTION.

HYDRAULIC FLUSH VALVE NOTES:

1. DO NOT CUT LENGTH OF TUBING PROVIDED.
2. DO NOT TAPE OR FIX TUBING IN A STATIONARY POSITION.

| | | | |
|---|---|-------------------------------|---------------------------------------|
| ACORN ENGINEERING COMPANY P.O. BOX 3527 INDUSTRY, CA. 91744 (626) 336-4561 FAX (626) 961-2200 | TITLE 20" LAV-TOILET FRONT ACCESS COMBY ANCHORING CAT. #1420 -FA | | |
| | MANUFACTURE DATE APRIL 30, 1998 TO PRESENT | DATE ISSUED 3/19/98 | DRAWING NUMBER 9925-031-002 |
| | DATE REVISED 10/19/10 | | |



WALL SLEEVE (-SW)

METAL TEMPLATE (-MT)

RIGHT HAND FIXTURE ROUGH-INS SHOWN FROM FIXTURE SIDE, LEFT HAND FIXTURE OPPOSITE



SHADED AREAS ARE REQUIRED WALL OPENINGS

WALL SLEEVE

SLEEVES ARE INSTALLED IN FORMS (USING NAIL HOLES ① PROVIDED) OR GROUTED INTO BLOCK WALLS, BECOMING A PERMANENT PART OF WALL.

- A. INSTALL SLEEVE WITH FLANGE ② ON CHASE SIDE OF WALL.
- B. LOCATE TOP AND BOTTOM NOTCHES AT VERTICAL CENTERLINE ③ OF PLUMBING FIXTURE.
- C. LOCATE SIDE NOTCHES ④ AT DIMENSION SHOWN, MEASURED FROM THE FINISHED FLOOR ON CELL (FIXTURE) SIDE.

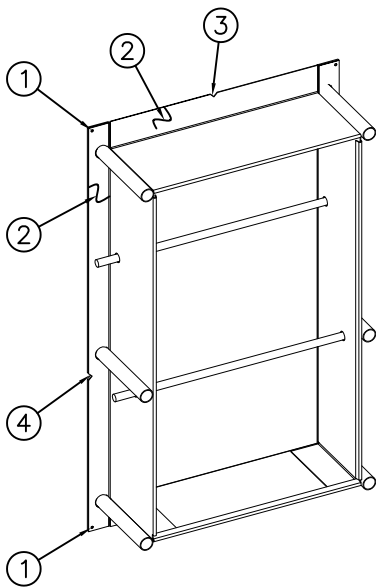
NOTES:

- 1. FOR POURED WALL CONSTRUCTION, TEMPORARY BRACING SHOULD BE INSTALLED WITHIN SLEEVE OPENING TO PREVENT DEFORMATION TO SLEEVE WHICH MAY OCCUR DURING POUR. DO NOT POUR CONCRETE DIRECTLY ON TOP OF WALL SLEEVE.
- 2. WHEN SLEEVES ARE NOT AVAILABLE BLOCKOUT FOR SLEEVE OPENING IN WALL PER DIMENSIONS SHOWN ⑤.

METAL TEMPLATE

TEMPLATES ARE USED TO LAYOUT REQUIRED WALL OPENINGS FOR SUBSEQUENT FLAME CUTTING OR CORE DRILLING.

- A. STRIKE A HORIZONTAL CHALK LINE ④ ON THE WALL AT DIMENSION SHOWN, MEASURED FROM THE FINISHED FLOOR ON CELL (FIXTURE) SIDE. THIS WILL LOCATE CENTERLINE FOR HORIZONTAL NOTCHES ON TEMPLATE.
- B. STRIKE A VERTICAL CHALK LINE ③ ON THE WALL TO INDICATE CENTERLINE OF FIXTURE. THIS WILL LOCATE CENTERLINE FOR VERTICAL NOTCHES ON TEMPLATE.
- C. PLACE TEMPLATE AGAINST WALL. LOCATE NOTCHES ALONG CHALK LINES. MARK WALL FOR REQUIRED OPENING.



WALL SLEEVE (-SW)



ACORN ENGINEERING COMPANY
P.O. BOX 3527 Industry, CA 91744
15125 Proctor Ave Industry, CA 91746
(626) 336-4561 FAX (626) 961-2200

TITLE **-SW WALL SLEEVE & -MT METAL TEMPLATE CAT# 1420FA AL/AR / RO/LO**

MANUFACTURE DATE

**JUNE 1971
TO PRESENT**

DATE ISSUED

09/23/92

DATE REVISED

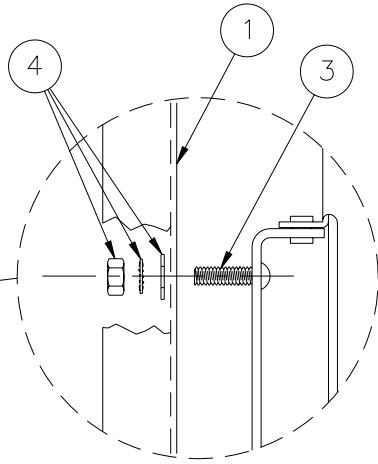
05/12/21 B

DRAWING NUMBER

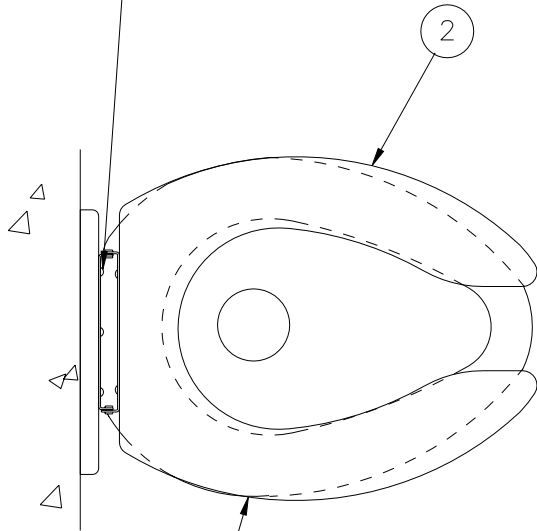
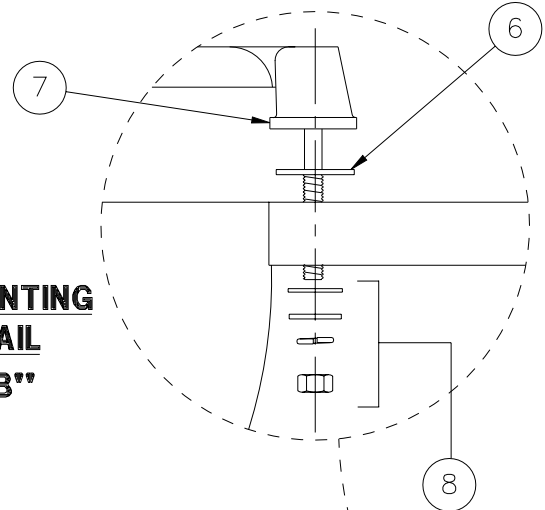
9925-208-001



**MOUNTING
DETAIL
"A-A"**

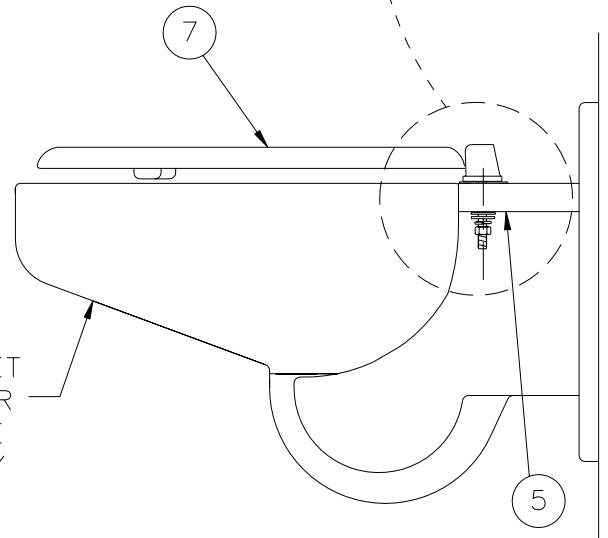


**MOUNTING
DETAIL
"B-B"**



1679 TOILET
SHOWN FOR
REFERENCE
ONLY

1675 TOILET
SHOWN FOR
REFERENCE
ONLY



**INSTALLATION INSTRUCTIONS-COMBY AND 1679 TOILET
PRIOR TO MOUNTING FIXTURE ON WALL:**

- A- LOCATE HINGED SEAT MOUNTING HOLES ON FIXTURE ①.
- B- POSITION HINGED SEAT ② AGAINST UNIT ① BY INSERTING SCREWS ③ INTO MOUNTING HOLES.
- C- ASSEMBLE NUT, WASHER AND LOCK-WASHER ④ AS SHOWN IN MOUNTING DETAIL "A-A".

**INSTALLATION INSTRUCTIONS-TOILETS
PRIOR TO MOUNTING FIXTURE ON WALL:**

- A- LOCATE HINGED SEAT MOUNTING HOLES IN FIXTURE ⑤.
- B- INSERT WASHERS ⑥ BETWEEN TOP OF TOILET AND HINGE SEAT ⑦.
- C- POSITION HINGED SEAT ⑦ ON TOP OF UNIT.
- D- ASSEMBLE HARDWARE ⑧ AS SHOWN IN MOUNTING DETAIL "B-B"



ACORN ENGINEERING COMPANY
P.O. BOX 3527 INDUSTRY, CA. 91744
(626) 336-4561 FAX (626) 961-2200

TITLE -HS HINGED SEAT OPTION INSTALLATION DETAIL - COMBYS AND TOILETS

MANUFACTURE DATE
FEBRUARY 1999
TO PRESENT

DATE ISSUED
02/22/99
DATE REVISED
03/26/01

DRAWING NUMBER
9925-048-001



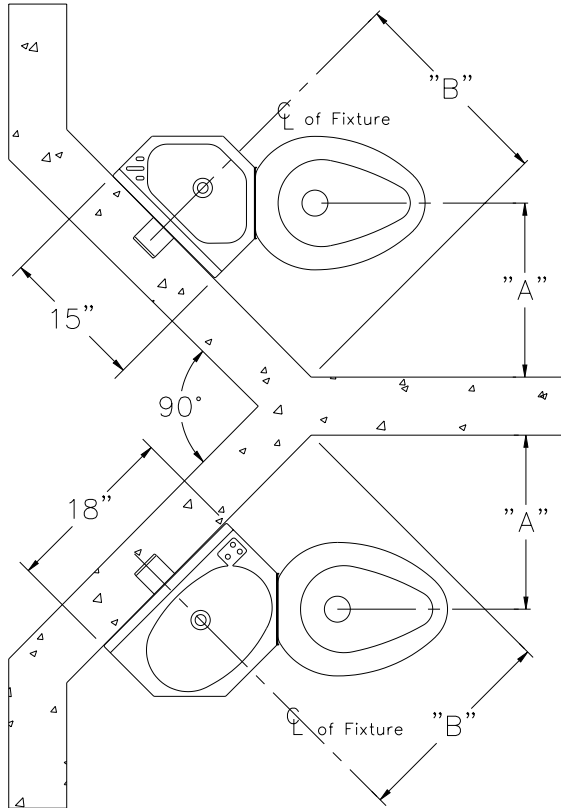
| Model # | Dimensions | |
|---------|------------|-----|
| | "A" | "B" |
| 1415 | 15" | 18" |
| 1415 | 18" | 22" |

Note:
"B" Dimensions are taken from cell side.

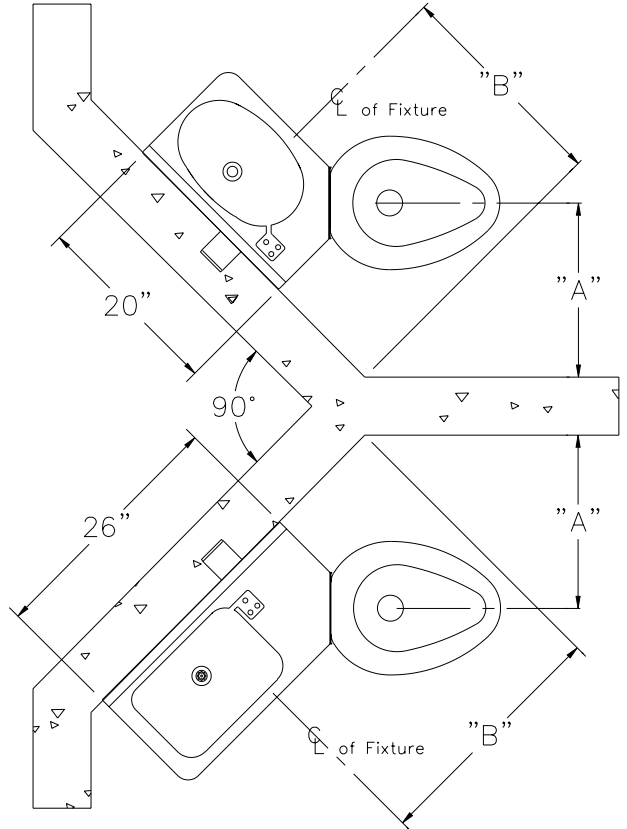
| Model # | Dimensions | |
|---------|------------|-----|
| | "A" | "B" |
| 1420 | 15" | 18" |
| 1420 | 18" | 23" |

Note:
"B" Dimensions are taken from cell side.

1415-AL Angled left shown
-AR Angled right opposite



1420-AL Angled left shown
-AR Angled right opposite



1418-AR Angled right shown
-AL Angled left opposite

| Model # | Dimensions | |
|---------|------------|-----|
| | "A" | "B" |
| 1418 | 15" | 17" |
| 1418 | 18" | 22" |

Note:
"B" Dimensions are taken from cell side.

| Model # | Dimensions | |
|---------|------------|-----|
| | "A" | "B" |
| 1426 | 15" | 21" |
| 1426 | 18" | 26" |

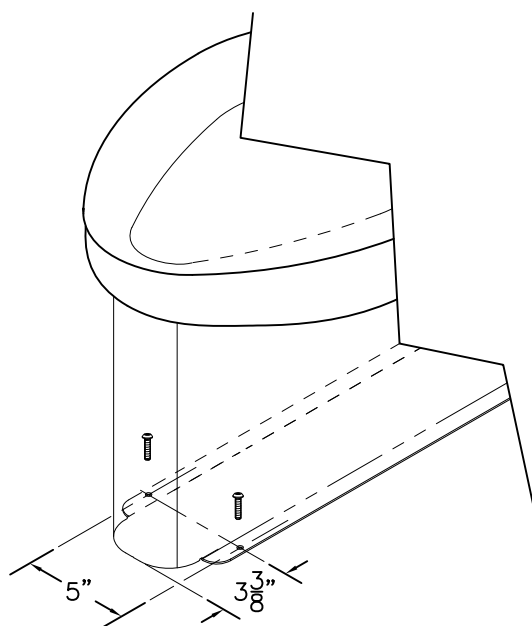
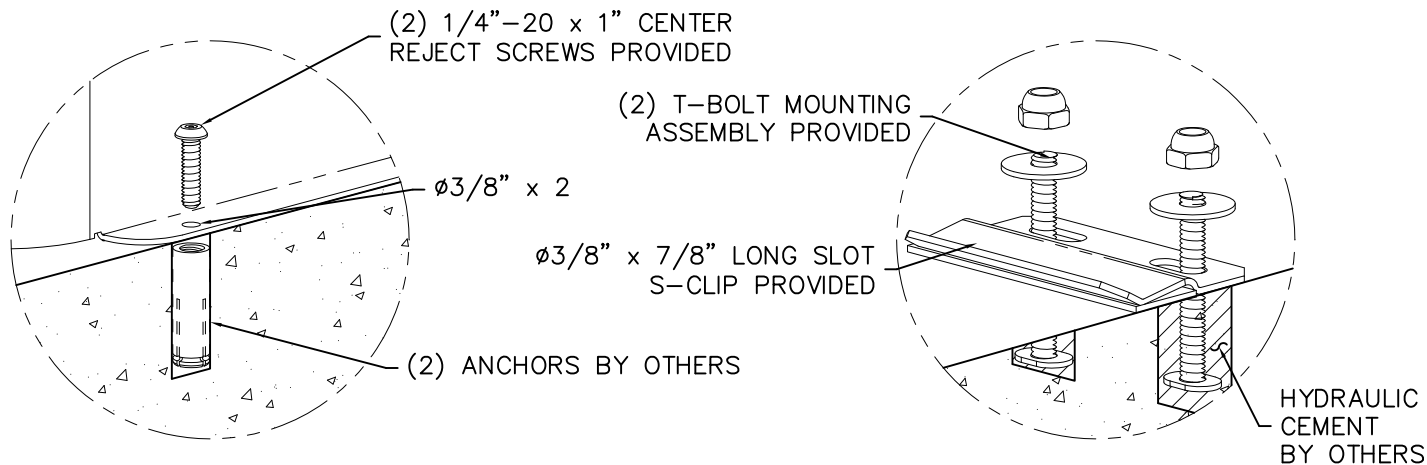
Note:
"B" Dimensions are taken from cell side.

THIS SHEET IS INTENDED TO ASSIST INSTALLER WITH LOCATION OF UNIT CENTERLINE ON CHASE WALL WHEN ANGLED TOILET BOWLS ARE SPECIFIED.

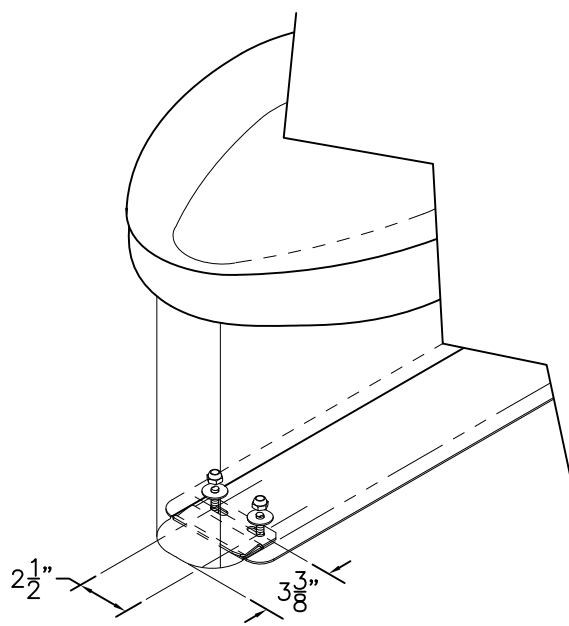


ACORN ENGINEERING COMPANY
P.O. BOX 3527 INDUSTRY, CA. 91744
(626) 336-4561 FAX (626) 961-2200

| | | |
|--|---|--|
| TITLE CELL LAYOUT FOR COMBY FIXTURES WITH -AL/-AR ANGLED TOILET BOWLS | | |
| MANUFACTURE DATE JUNE 1997 TO PRESENT | DATE ISSUED 6/5/97 DATE REVISED | DRAWING NUMBER 9925-038-001 |



FLANGE MOUNTING



S-CLIP MOUNTING

-SS-SPS SUICIDE RESISTANT SKIRT OPTION IS PROVIDED WITH ADDITIONAL MOUNTING POINTS NOT NORMALLY PROVIDED WITH OUR STANDARD FIXTURES AND COME IN TWO STYLES AS INDICATED BELOW.

FIXTURES w/ FLANGE MOUNTING:

- A-AFTER ROUGHING IN AS REQUIRED, PLACE FIXTURE IN POSITION AND USE AS TEMPLATE TO LOCATE AND MARK FLANGE POINTS ON FLOOR.
- B-REMOVE FIXTURE AND INSTALL FLOOR ANCHORS BY OTHERS FOR 3/8" DIAMETER FLANGE PUNCHING.
- C-ALIGN WALL AND FLOOR ANCHORING POINTS AND COMPLETE FIXTURE INSTALLATION AS INDICATED BY THE FIXTURE INSTALLATION SHEET PROVIDED.

FIXTURES w/ S-CLIP:

- A-AFTER ROUGHING IN AS REQUIRED, PLACE FIXTURE IN POSITION AND USE AS A TEMPLATE TO LOCATE AND MARK S-CLIP MOUNTING LOCATION ON FLOOR AS INDICATED.
- B-REMOVE FIXTURE, INSTALL T-BOLTS FOR S-CLIP 3/8" x 7/8" LONG MOUNTING SLOTS AND SECURE WITH HYDRAULIC CEMENT (BY OTHERS)
- C-INSTALL S-CLIP
- D-PLACE FIXTURE ON FLOOR POSITIONING THE "NOSE" OF THE SKIRT SEVERAL INCHES IN FRONT OF S-CLIP MOUNTING LOCATION, SLIDE FIXTURE INTO PLACE ENGAGING THE S-CLIP AND ALIGNING WALL MOUNTING LOCATIONS. COMPLETE FIXTURE INSTALLATION AS INDICATED BY THE FIXTURE INSTALLATION SHEET PROVIDED.



ACORN ENGINEERING COMPANY
P.O. BOX 3527 Industry, CA 91744
15125 Proctor Ave Industry, CA 91746
(626) 336-4561 FAX (626) 961-2200

TITLE **-SPS MOUNTING DETAIL**

MANUFACTURE DATE
AUGUST 2012
TO PRESENT

DATE ISSUED
08/15/12
DATE REVISED
11/05/13 A

DRAWING NUMBER
9925-007-001