



Penal-Ware® 1432ALAR Series

ADA 2010 Compliant - Lav/Toilet Comby - Angled Toilet Bowl - Angled Lavy



1432-AL-2-BP-04-M

Fixture May Show Some Available Options



Please visit www.acorneng.com for most current specifications.

ADA 2010 Compliant - Lav/Toilet Comby - Angled Toilet Bowl - Angled Lavy

IMPORTANT: For Compliance with CBC Calif. Title 24 refer to LR1432ALAR series model.

Fixture is arranged to be installed on finished wall and serviced from an accessible pipe chase. Fixture is fabricated with 14 gage type 304 stainless steel cabinet and toilet bowl and is seamless welded construction with a satin finish. The inside of the toilet bowl also has a satin finish. Cabinet interior is sound-deadened with a fire-resistant material. Optional Wall Sleeve or Metal Template is recommended for all installations to provide required wall openings. Unit complies with ANSI, UFAS and ADA 2010 requirements regarding toilet and lavatory fixtures. Compliance is subject to the interpretation and requirements of the local code authority.

Lavatory Oval Bowl is 9-3/4" x 13-1/2" x 4" deep. Standard elbow waste outlet is 1-1/2" OD plain end.

Spouts or Bubblers are located on the backsplash to the rear of the bowl with valve controls located to the right and/or left of the spout or bubbler. Location of the spout or bubbler on the fixture does not fulfill ADA Drinking Fountain requirements.

Optional Lavatory Valve may be an Air-Control pneumatically operated, pushbutton valve with 0.5 GPM flow control. Pushbutton requires less than 5 lbs. to activate valve. Valve is metering, non-hold open type. Timing is from 5 to 60 seconds. Valve can be remotely located up to 10 feet from the operating pushbutton. Valve and bubbler conform with lead-free requirements for NSF61, section 9 and CHSC 116875.

Toilet is blowout jet type with elongated bowl manufactured to ASME A112.19.3 and CSA B45.4 requirements and will flush with a minimum of 25 PSI flow pressure when used in conjunction with a minimum of 1.28 GPF. Trap has a minimum 3-1/2" seal and will pass a 2-1/8" ball. Toilet waste outlet is 2-3/8" diameter plain end, extending 3" beyond the fixture for wall outlet, and Gasket Waste for floor outlet. Unit is provided with a hydraulically actuated flush valve (shipped loose).

Grab Bar is heavy gage type 304 stainless steel construction, 1-1/2" diameter x 36" long. Grab bar is welded onto fixture and requires anchoring to the wall. Important: Optional Grab Bar Closure Plate may affect ADA Conformance.

Regularly Furnished items include wall mounting hardware.

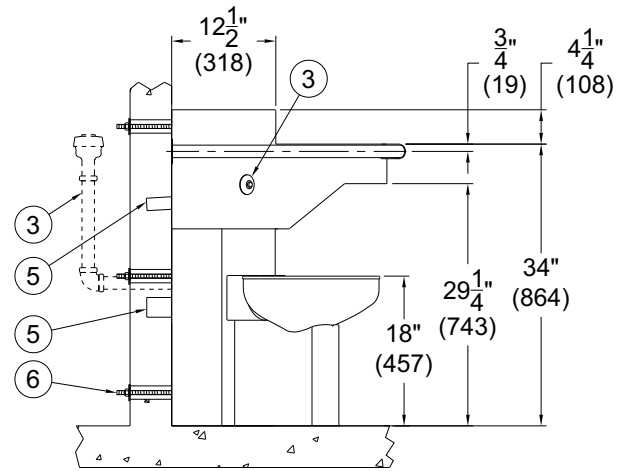
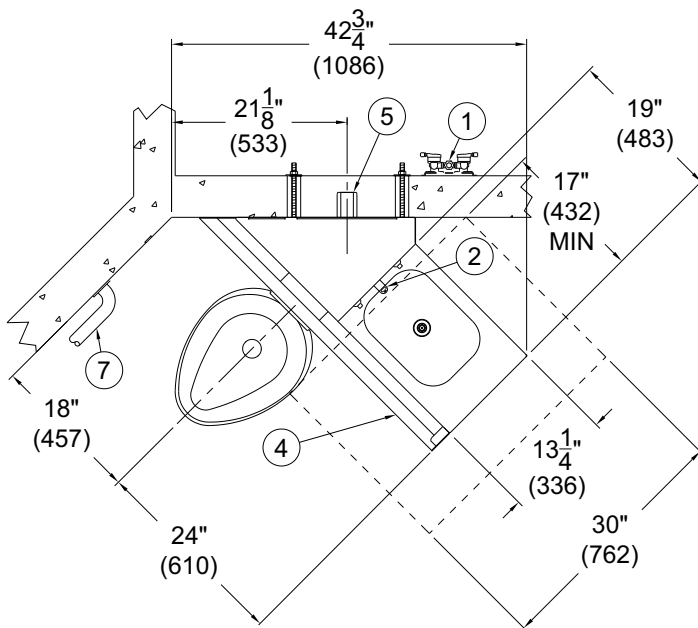
GUIDE SPECIFICATION

Provide and install Acorn Penal-Ware ADA 2010 Compact Compliant Lav/Toilet-Comby-Angled Toilet Bowl-Angled Lavy (specify model number and options). Unit shall conform with ANSI, UFAS and ADA 2010 requirements. Fixture shall be fabricated from type 304 stainless steel. Construction shall be seamless welded and exposed surfaces shall have a satin finish. Provide 36" long stainless steel grab bar to be located behind toilet. Fixture shall have an Air-Control pneumatically operated, metering, non-hold open pushbutton valve. Valve shall require less than 5 lbs. to activate. Valve and bubbler conform with lead-free requirements for NSF61, section 9 and CHSC 116875. Toilet shall be concealed blowout jet type with an elongated bowl, a self-draining flushing rim and an integral contoured seat. Toilet shall meet ASME A112.19.3 and CSA B45.4 requirements and will flush with a minimum of 25 PSI flow pressure when used in conjunction with a minimum of 1.28 GPF. Toilet trap shall have a minimum 3-1/2" seal that shall pass a 2-1/8" diameter ball and be fully enclosed. Cabinet interior is to be sound-deadened with fire-resistant material. Fixture shall withstand loadings of 5,000 pounds without permanent damage. Fixture shall be furnished with necessary fasteners for proper installation.



NOTES:

1. -04 Hot & Cold Air-Control Valve & Pushbuttons Shown
2. Lavy -BP Penal Bubbler Shown
3. Hydraulic Flush Valve & Pushbutton
4. Integral Grab Bar
5. Waste Outlets Extending 3" Beyond Back of Fixture
6. Wall Mounting Hardware
7. 42" Grab Bar By Others



1432-AL-2-BP (-AR OPPOSITE)

Penal-Ware® 1432ALAR: ADA 2010 Compliant - Lav/Toilet Comby - Angled Toilet Bowl - Angled Lavy



WALL THICKNESS AND TYPE (Must Specify)

Thickness: _____ Type: Concrete Block Steel

MODEL AND OPTIONS SELECTION:

BASE MODEL NUMBER

1432 ADA Lav-Toilet Comby

TOILET ORIENTATION (Must Specify)

-AL Angled Left
 -AR Angled Right

FIXTURE MOUNTING AND WASTE (Must Specify)

-1 Off-Floor, Wall Outlet
 -2 On-Floor, Wall Outlet
 -3 On-Floor, Floor Outlet

BUBBLER SELECTION (Must Specify)

-BC Bubbler, Code
 -BP Bubbler, Penal
 -BPH Bubbler, Penal Hemispherical
 -LF Lav-Filler

VALVE SELECTION (Must Specify)

Air-Control (Pneumatic)

-03-M Single Temp, Metering
 -04-M Hot & Cold, Metering

Master-Trol® (Electronic)

-EVS1 Single Temp
 -EVS2 Hot & Cold
 -EVSP1 Single Temp, Piezo Button
 -EVSP2 Hot & Cold, Piezo Buttons

Master-Trol® PLUS (Electronic)

-MTP1 Single Temp
 -MTP2 Hot & Cold
 -MTPP1 Single Temp, Piezo Button
 -MTPP2 Hot & Cold, Piezo Buttons

-MTP VALVE OPTION

-PFB Power Failure Bypass (Provides drinking water in the event of power failure)

Time-Trol® (Electronic)

-MVC1 Single Temp
 -MVC1-BAT Single Temp Battery Powered (Batteries Not Included)
 -MVC2 Hot & Cold
 -MVC2-BAT Hot & Cold Battery Powered (Batteries Not Included)

Programmable (Electronic) w/9VDC Plug-In Transformer

-PPZ1 Single Temp Programmable Piezo Button
 -PPZ2 Hot & Cold Programmable Piezo Button

Valve By Others

-9 Punched for Valve by Others

VALVE OPTIONS

-BRS Brass Body Valve
 -CI Cycle Interrupt for Time-Trol® Valves
 -MA2 Manifoldded, 2-Stack
 -MA3 Manifoldded, 3-Stack (N/A with -PFB option)
 -MA4 Manifoldded, 4-Stack (N/A with -PFB option)
 -PBH Hemispherical Pushbutton
 -TF Transformer, 120VAC to 24VAC (-MVC option only)

FLUSH VALVE GPF's (Must Specify)

-1.28 GPF (HET)
 -1.6 GPF (Not Available in California)
 -3.5 GPF (Not Available in California)

FLUSH VALVE OPTIONS (Must Specify)

-EVSFV Master-Trol® Electronic Flush Valve
 -EVSPFV Master-Trol® Electronic Flush Valve w/ Piezo Button
 -FVBO Flush Valve by Others
 -FVH Flush Valve, Hydraulic
 -MTPFV Master-Trol® PLUS Electronic Flush Valve
 -MTPPFV Master-Trol® PLUS Electronic Flush Valve w/ Piezo Button
 -MVCFV Time-Trol® Electronic Flush Valve

CABINET OPTIONS

-FMT Fixture Mounted Trim
 -GBC Grab Bar Closure Plate (May Affect ADA Conformance)
 -GBC2 Grab Bar* & Lavy Closure Plate (*May Affect ADA Conformance)
 -LGB Less Grab Bar
 -PH Paper Holder, not ADA Compliant (Same Side as Toilet)
 -TB Toothbrush Holder Left Right
 -TG 12 Gage Cabinet
 -TH Towel Hook (Lavy Side) Single Double
 -VG1 Vent Grille, 5-3/4" x 8-3/4" (Lavy Side) L R
 -VG2 Vent Grille, 8-3/4" x 13" (Bottom Only)(-1 Only)

LAVATORY WASTE OPTIONS

-CW Combined Waste
 -LW1 Lavy Thru-Wall Extension with P-Trap
 -LWE Lavy Waste Extension (3" Standard) Specify Length Beyond Fixture: _____
 -OF Lavatory Overflow
 -PT 1-1/2" Removable P-Trap Waste

TOILET OPTIONS

-CO1 Cleanout w/ 2-3/8" OD O-Ring Connection to No-Hub 4" (Plain End Only, Not Applicable with GW or -3 Floor Outlet)
 -CO1-3 Cleanout w/ 2-3/8" OD O-Ring Connection to No-Hub 3" (Plain End Only, Not Applicable with GW or -3 Floor Outlet)
 -FT Flood-Trol (Manual Reset)
 -FTA Flood-Trol, Auto-Reset
 -FTE Flood-Trol, Electronic
 -FVO Flush Valve Opposite In Lieu of Standard Location
 -FVT Flush Valve Thru Wall Connector
 -GW Gasketed Toilet Waste (Wall Outlet)
 -HPS High Polish Integral Seat
 -HS Hinged Seat
 -PC Pinned Cleanout Plug (For -CO1 Options above)
 -PFS Punched for Seat by Others
 -SPS Ligature Resistant Skirt
 -TSC Toilet Shipping Cover
 -TWE Toilet Waste Extension (3" Standard) Specify Length Beyond Fixture: _____
 -WO3B 2-3/8" P-Trap w/ 3" Plain End Waste Outlet

PRODUCT OPTIONS

-EGE Enviro-Glaze Color Specify: _____ Toilet Exterior Only
 -LPFV Less Punching for Flush Valve
 -MT Metal Template (Only 1 Required Per Project)
 -SW Wall Sleeve
 -VAC AcornVac System

Please visit www.acorneng.com for most current specifications.

WARNING: Cancer and Reproductive Harm - www.P65Warnings.ca.gov

<p>Important: Installation instructions and current rough-in are furnished with each fixture. Do not rough in without certified dimensions. Dimensions are subject to manufacturer's tolerance of plus or minus 1/4" and change without notice. Acorn assumes no responsibility for use of void or superseded data. © Copyright 2009 Acorn Engineering Company</p>	
<p style="text-align: center;">Selection Summary</p> <p>Model No. & Option _____</p> <p>Quantity _____</p>	<p style="text-align: center;">Approved for Manufacturing</p> <p>Company _____ Title _____</p> <p>Signature _____ Date _____</p>