



## Penal-Ware® 1652FA Series 18" Lavatory with Oval Bowl - ADA 2010 Compliant - Front Access



1652FA-1-BP-04-M-DMB-BP

Fixture May Show Some Available Options

Please visit [www.acorneng.com](http://www.acorneng.com) for most current specifications.

### 18" Lavatory with Oval Bowl - ADA 2010 Compliant - Front Access

**Fixture** is factory piped, tested and designed to be installed on a finished wall through a removable bottom secured with tamper-resistant screws. Optional Wall Sleeve is recommended to provide wall openings. Lavatory complies with ANSI, UFAS, CBC and ADA 2010 requirements for accessibility. Compliance is subject to the interpretation and requirements of the local code authority.

**Cabinet** is fabricated from 14 gage, type 304 stainless steel and is seamless welded construction with exposed surfaces polished to a satin finish. Cabinet interior is sound-deadened with fire-resistant material.

**Lavatory Oval Bowl** is 14-3/4" x 9-1/2" x 4-1/2" deep and includes an integral fast drain. Standard P-trap waste outlet is 1-1/2" O.D. plain end and extends 3" beyond the rear of the fixture.

**Optional Lavatory Valve** is an pneumatically operated, pushbutton Air-Control valve using atmospheric air. Pushbutton is vandal-resistant and requires less than 5 pounds to activate valve. Valve is metering, non-hold open type. Valve timing is adjustable from 5 to 60 seconds. Valve includes a 0.5 GPM flow control and can be remotely located up to 10 feet from the operating pushbutton. Valve and Bubbler conforms with lead free requirements of NSF61, Section 9 and CHSC 116875.

**Regularly furnished** items include a fast drain, an integral self-draining soap dish and mounting hardware. Wall anchors by others.

**Suffix Option -DMB, Deck Mounted Bubbler** optionally available, provides a drinking bubbler that meets ADA requirements and lead free requirements of NSF61, Section 9 and CHSC 116875. This option also includes a separate pushbutton and non-metering Air-Control valve with .7 GPM flow control.

#### GUIDE SPECIFICATION

Provide and install an Acorn Penal-Ware, 18" wide ADA 2010 Compliant Lavatory with Oval Bowl, Front Access (specify model number and options). Unit shall conform with ANSI, UFAS, CBC and ADA requirements for accessibility. Fixture shall be fabricated from 14 gage, type 304 stainless steel. Construction shall be seamless welded and exposed surfaces shall have a satin finish. Countertop shall have an air-circulating, self-draining soap dish. Provide Air-Control pneumatically operated, metering, non-hold open valve with ADA compliant pushbutton. Valve and Bubbler conform with lead free requirements of NSF61, Section 9 and CHSC 116875. Cabinet bottom shall be removable and secured with tamper-resistant screws. Cabinet interior shall be sound deadened with fire-resistant material. Fixture shall be furnished with necessary fasteners for proper installation.



# Penal-Ware®: 1652FA 18" Lavatory with Oval Bowl - ADA Compliant - Front Access

### WALL THICKNESS AND TYPE (Must Specify)

Thickness: \_\_\_\_\_ Type:  Concrete  Block  Steel

### MODEL AND OPTIONS SELECTION:

#### BASE MODEL NUMBER

1652-FA 18" Lavatory with Oval Bowl - ADA Compliant - Front Access

### FIXTURE MOUNTING AND WASTE (Must Specify)

-1 Off-Floor, Wall Outlet

### BUBBLER SELECTION (Must Specify)

- BC Bubbler, Code
- BP Bubbler, Penal
- BPH Hemispherical Penal Bubbler
- LF Lav-Filler

### VALVE SELECTION (Must Specify)

#### Air-Control (Pneumatic)

- 03-M Single Temp, Metering
- 04-M Hot & Cold, Metering

#### Master-Trol® (Electronic)

- EVS1 Single Temp
- EVS2 Hot & Cold
- EVSP1 Single Temp, Piezo Button
- EVSP2 Hot & Cold, Piezo Buttons

#### Master-Trol® PLUS (Electronic)

- MTP1 Single Temp
- MTP2 Hot & Cold
- MTPP1 Single Temp, Piezo Button
- MTPP2 Hot & Cold, Piezo Buttons

#### -MTP VALVE OPTION

- PFB Power Failure Bypass (Provides drinking water in the event of power failure)

#### Time-Trol® (Electronic)

- MVC1 Single Temp
- MVC1-BAT Single Temp Battery Powered (Batteries Not Included)
- MVC2 Hot & Cold
- MVC2-BAT Hot & Cold Battery Powered (Batteries Not Included)

#### Programmable (Electronic) w/9VDC Plug-In Transformer

- PPZ1 Single Temp Programmable Piezo Button
- PPZ2 Hot & Cold Programmable Piezo Button

#### Valve By Others

-9 Punched for Valve by Others

### VALVE OPTIONS

- BRS Brass Body Valve
- CI Cycle Interrupt for Time-Trol® Valves
- PBH Hemispherical Pushbutton
- TF Transformer, 120VAC to 24VAC (-MVC option only)

### CABINET OPTIONS

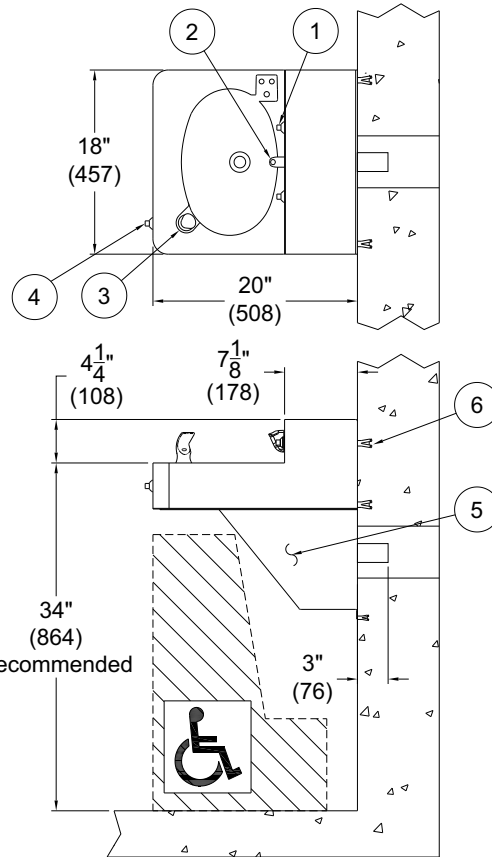
- FMT Fixture Mounted Trim
- TB Toothbrush Holder  Left  Right
- TG 12 Gage Cabinet
- TH Towel Hook  Single  Double  Left  Right

### LAVATORY WASTE OPTIONS

- LWE Lavy Waste Extension (3" Standard) Specify Length Beyond Fixture: \_\_\_\_\_
- OF Lavatory Overflow

### PRODUCT OPTIONS

- DMB Deck Mounted Drinking Bubbler (Cold water only) N/A with -03-M tempered supply
  - BP Penal Style  -BC Code Style
  - BPH Penal Hemispherical Style
- EG Enviro-Glaze, Specify Color: \_\_\_\_\_
- MT Metal Template (Only 1 Required Per Project)
- SW Wall Sleeve
- VAC Acorn-Vac System



1652-ADA-FA-1-BP-04-DMB

### NOTES:

1. Lavy Valve Pushbuttons
2. Lavy Bubbler
3. Optional -DMB Deck Mounted Bubbler
4. Optional Bubbler Pushbutton for (-DMB)
5. Removable Access Panel
6. Wall Mounting Anchors (By Others)

Please visit [www.acorneng.com](http://www.acorneng.com) for most current specifications.

**WARNING:** Cancer and Reproductive Harm - [www.P65Warnings.ca.gov](http://www.P65Warnings.ca.gov)

<b>Important:</b> Installation instructions and current rough-in are furnished with each fixture. Do not rough in without certified dimensions. Dimensions are subject to manufacturer's tolerance of plus or minus 1/4" and change without notice. Acorn assumes no responsibility for use of void or superseded data. © Copyright 2009 Acorn Engineering Company	
<p style="text-align: center;">Selection Summary</p> <p>Model No. &amp; Option _____</p> <p>Quantity _____</p>	<p style="text-align: center;">Approved for Manufacturing</p> <p>Company _____ Title _____</p> <p>Signature _____ Date _____</p>