



Penal-Ware® 1652LRB Series

18" Lavatory with Rectangular Bowl - ADA 2010 Compliant



1652LRB-1-DMS-04-M

Fixture May Show Some Available Options

Please visit www.acorneng.com for most current specifications.

18" Lavatory with Lavy Rectangular Bowl - ADA/CBC Compliant

Fixture is designed to be installed on a finished wall and serviced from an accessible pipe chase. There are no voids or crevices where contraband can be concealed. Features include an integral self-draining soap dish and mounting hardware for walls up to 8" thick. Optional Wall Sleeve or Metal Template is recommended to provide through wall openings and mounting points. Lavatory complies with ANSI, UFAS, CBC and ADA 2010 requirements for accessibility. Compliance is subject to the interpretation and requirements of the local code authority.

Cabinet is fabricated from 14 gage, type 304 stainless steel and is seamless welded construction with exposed surfaces polished to a satin finish. Cabinet interior is sound deadened with fire-resistant material.

Lavatory Rectangular Bowl is 14" x 12" x 4-1/2" deep and includes an integral fast drain. Standard elbow waste outlet is 1-1/2" O.D. plain end and extends 11" beyond the back of wall.

Optional Lavatory Valve is an pneumatically operated, pushbutton Air-Control valve using atmospheric air. Pushbutton is vandal-resistant and requires less than 5 pounds to activate valve. Valve is metering, non-hold open type. Valve timing is adjustable from 5 to 60 seconds. Valve includes a 0.5 GPM flow control and can be remotely located up to 10 feet from the operating pushbutton. Valve and Bubbler conforms with lead free requirements of NSF61, Section 9 and CHSC 116875.

Suffix Option DMB, Deck Mounted Drinking Bubbler optionally available, provides a drinking bubbler that meets ADA requirements and lead free requirements of NSF61, Section 9 and CHSC 116875. This option also includes a separate pushbutton and non-metering Air-Control valve with .7 GPM flow control.

GUIDE SPECIFICATION

Provide and install an Acorn Penal-Ware, 18" wide ADA 2010 Compliant Lavatory with rectangular bowl (specify model number and options). Unit shall conform to ANSI, UFAS, CBC and ADA requirements for accessibility. Fixture shall be fabricated from 14 gage, type 304 stainless steel. Construction shall be seamless welded and exposed surfaces shall have a satin finish. Deck shall have an air-circulating, self-draining soap dish. Provide Air-Control pneumatically operated, metering, non-hold open valve with ADA compliant pushbutton. Valve and Bubbler conform with lead free requirements of NSF61, Section 9 and CHSC 116875. Cabinet interior shall be sound deadened with fire-resistant material. Fixture shall be furnished with necessary fasteners for proper installation.

Penal-Ware®: 1652LRB 18" Lavatory with Lavy Rectangular Bowl ADA Compliant



WALL THICKNESS AND TYPE (Must Specify)

Thickness: _____ Type: Concrete Block Steel

MODEL AND OPTIONS SELECTION:

BASE MODEL NUMBER

1652LRB 18" Lavatory with Lavy Rectangular Bowl - ADA Compliant

FIXTURE MOUNTING AND WASTE (Must Specify)

-1 Off-Floor, Wall Outlet

SPOUT SELECTION (Must Specify)

-DMB Deck Mounted Bubbler, Specify:
 -BP Penal Bubbler -BC Code Bubbler
 -DMS Deck Mounted Spout
 -BPH Hemispherical Penal Bubbler (Deck Mounted)

VALVE SELECTION (Must Specify)

Air-Control (Pneumatic)

-03-M Single Temp, Metering
 -04-M Hot & Cold, Metering

Master-Trol® (Electronic)

-EVS1 Single Temp
 -EVS2 Hot & Cold
 -EVSP1 Single Temp, Piezo Button
 -EVSP2 Hot & Cold, Piezo Buttons

Master-Trol® PLUS (Electronic)

-MTP1 Single Temp
 -MTP2 Hot & Cold
 -MTPP1 Single Temp, Piezo Button
 -MTPP2 Hot & Cold, Piezo Buttons

-MTP VALVE OPTION

-PFB Power Failure Bypass
 (Provides drinking water in the event of power failure)

Time-Trol® (Electronic)

-MVC1 Single Temp
 -MVC1-BAT Single Temp Battery Powered
 (Batteries Not Included)
 -MVC2 Hot & Cold
 -MVC2-BAT Hot & Cold Battery Powered
 (Batteries Not Included)

Programmable (Electronic) w/9VDC Plug-In Transformer

-PPZ1 Single Temp Programmable Piezo Button
 -PPZ2 Hot & Cold Programmable Piezo Button

Valve By Others

-9 Punched for Valve by Others
 (Select when using "Deck Punching" Option)

DECK PUNCHING (1-5/16" Diameter)

-H1 Single Hole Centered
 -H24 Two Holes 4" Centered
 -H28 Two Holes 8" Centered (will eliminate soap depression)
 -H34 Three Holes 4" Centered
 -H38 Three Holes 8" Centered (will eliminate soap depression)

VALVE OPTIONS

-BRS Brass Body Valve
 -CI Cycle Interrupt for Time-Trol® Valves
 -MA2 Manifolder, 2-Stack
 -MA3 Manifolder, 3-Stack (N/A with -PFB option)
 -MA4 Manifolder, 4-Stack (N/A with -PFB option)
 -PBH Hemispherical Pushbutton
 -TF Transformer, 120VAC to 24VAC
 (-MVC option only)

CABINET OPTIONS

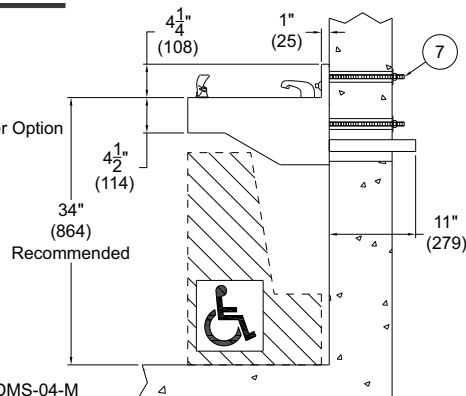
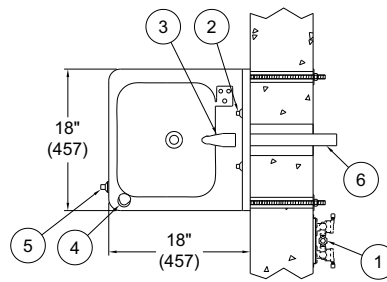
-FMT Fixture Mounted Trim
 -TB Toothbrush Holder Left Right
 -TG 12 Gage Cabinet
 -TH Towel Hook Single Double Left Right

LAVATORY WASTE OPTIONS

-LW1 Thru-Wall Waste Extension with P-Trap
 -LWE Lavy Waste Extension (11" Standard)
 Specify Length Beyond Fixture: _____
 -OF Lavatory Overflow

PRODUCT OPTIONS

-DMB Deck Mounted Drinking Bubbler
 (Cold water only) N/A with -03-M tempered supply
 -BP Penal Style -BC Code Style
 -BPH Penal Hemispherical Style
 -EG Enviro-Glaze, Specify Color: _____
 -MT Metal Template (Only 1 Required Per Project)
 -SW Wall Sleeve
 -VAC AcornVac System



NOTES:

1. Optional -4 Air-Control Valve
2. Lavy Valve Pushbuttons
3. Lavy Bubbler
4. -DMB Deck Mounted Drinking Bubbler Option
5. Pushbutton for option -DMB
6. Lavy Waste Outlet. Extended 11" Beyond Fixture
7. Wall Mounting Hardware

1652LRB-DMB-DMS-04-M

Please visit www.acorneng.com for most current specifications.

WARNING: Cancer and Reproductive Harm - www.P65Warnings.ca.gov

Important: Installation instructions and current rough-in are furnished with each fixture. Do not rough in without certified dimensions. Dimensions are subject to manufacturer's tolerance of plus or minus 1/4" and change without notice. Acorn assumes no responsibility for use of void or superseded data. © Copyright 2009 Acorn Engineering Company	
Selection Summary Model No. & Option _____ Quantity _____	Approved for Manufacturing Company _____ Title _____ Signature _____ Date _____