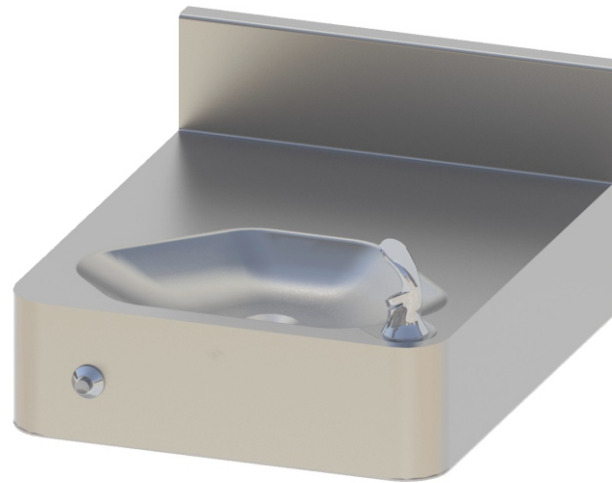




Penal-Ware® 1672 Series

Drinking Fountain - ADA 2010 Compliant



1672-1-BC-3

Fixture May Show Some Available Options

Please visit www.acorneng.com for most current specifications.

Drinking Fountain - ADA 2010 Compliant

Fixture is designed to be installed and serviced from an accessible pipe chase. Optional Wall Sleeve or Metal Template is recommended on all installations for required wall openings. Fixture is fabricated from 14 gage, type 304 stainless steel and is seamless welded construction with a satin finish. Cabinet interior is sound-deadened with fire-resistant material. There are no accessible voids or crevices where contraband can be concealed. Unit conforms with ANSI, UFAS and ADA 2010 requirements for accessibility. Compliance is subject to the interpretation and requirements of the local code authority.

Countertop has a deck-mounted bubbler.

Bowl is multi-sided. Standard elbow waste outlet is 1-1/2" O.D. plain end and extends 3" beyond the back of fixture.

Valve is an optionally available Air-Control, pneumatically operated, pushbutton valve using atmospheric air and includes 0.7 GPM flow control. Valve is intended to be housed within cabinet or may be remotely located up to 10 feet away from the operating pushbutton. Valve is direct acting, non-metering type, with bubbler that both conform with lead free requirements of NSF61, Section 9 and CHSC 116875. Pushbutton is vandal resistant and requires less than 5 lbs to operate.

Regularly furnished items include a fast drain, plain end elbow waste, and mounting hardware for walls up to 8" thick.

GUIDE SPECIFICATION

Provide and install an Acorn Penal-Ware, ADA 2010 compliant Drinking Fountain (specify model number and options). Fixture shall be fabricated from 14 gage, type 304 stainless steel. Construction shall be seamless welded and exposed surfaces shall have a satin finish. Cabinet interior is sound-deadened with fire-resistant material. Fixture shall be furnished with necessary fasteners for proper installation. Units to conform with ANSI, UFAS and ADA requirements for accessibility, Valve and bubbler conform with lead-free requirements of NSF61, Section 9 and CHSC 116875.

Penal-Ware® 1672 : Drinking Fountain - ADA 2010 Compliant



WALL THICKNESS AND TYPE (Must Specify)
 Thickness _____ Type: Concrete Block Steel

MODEL NUMBER AND OPTIONS SELECTION:

BASE MODEL NUMBER
 1672 Drinking Fountain - ADA Compliant

FIXTURE MOUNTING AND WASTE (Must Specify)
 -1 Off-Floor, Wall Outlet

BUBBLER SELECTION (Must Specify)

- BC Bubbler, Code
- BP Bubbler, Penal
- BPH Bubbler, Hemispherical

VALVE SELECTION (Must Specify)

Air-Control (Pneumatic)
 -03 Single Temp, Non-Metering

Master-Trol® (Electronic)
 -EVS1 Single Temp
 -EVSP1 Single Temp, Piezo Button

Master-Trol® PLUS (Electronic)
 -MTP1 Single Temp
 -MTPP1 Single Temp, Piezo Button

-MTP VALVE OPTION
 -PFB Power Failure Bypass
 (Provides drinking water in the event of power failure)

Time-Trol® (Electronic)
 -MVC1 Single Temp
 -MVC1-BAT Single Temp Battery Powered
 (Batteries Not Included)

Programmable (Electronic) w/9VDC Plug-In Transformer
 -PPZ1 Single Temp Programmable Piezo Button

Valve By Others
 -9 Punched for Valve by Others

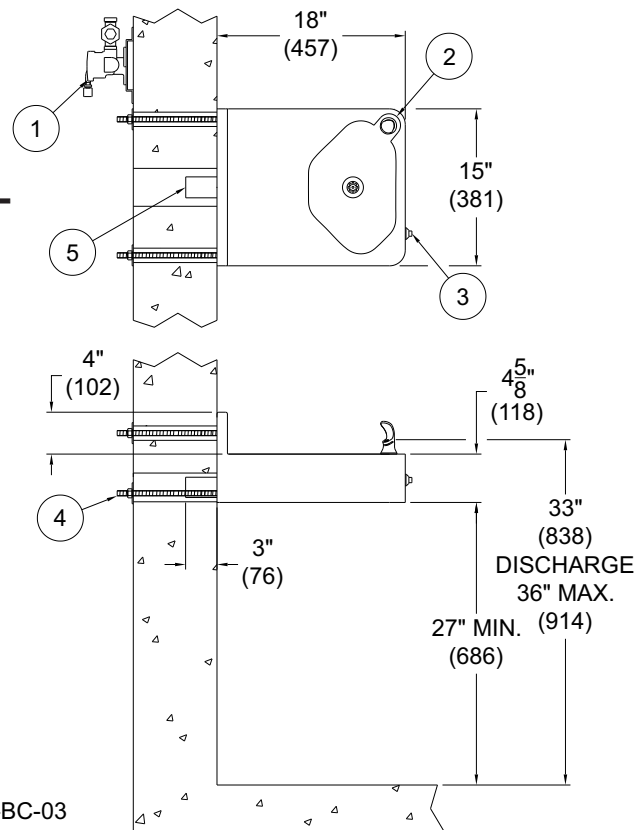
- VALVE OPTIONS**
- BRS Brass Body Valve
 - CI Cycle Interrupt for Time-Trol® Valves
 - MA2 Manifoldded, 2-Stack
 - MA3 Manifoldded, 3-Stack (N/A with -PFB option)
 - MA4 Manifoldded, 4-Stack (N/A with -PFB option)
 - PBH Hemispherical Pushbutton
 - TF Transformer, 120VAC to 24VAC (-MVC option only)

- CABINET OPTIONS**
- FMT Fixture Mounted Trim
 - TG 12 Gage Cabinet

- LAVATORY WASTE OPTIONS**
- LW1 Thru-Wall Waste Extension with P-Trap
 - LWE Lavy Waste Extension (3" Standard)
 Specify Length Beyond Fixture: _____

- PRODUCT OPTIONS**
- EG Enviro-Glaze, Specify Color: _____
 - MT Metal Template (Only 1 Required Per Project)
 - SW Wall Sleeve
 - VAC AcornVac System

Please visit www.acorneng.com for most current specifications.



- NOTES:**
1. -03 Air-Control Valve
 2. (-BC) Drinking Bubbler
 3. Valve Pushbutton
 4. Wall Mounting Hardware
 5. Lavy Waste Outlet

1672ADA-1-BC-03

WARNING: Cancer and Reproductive Harm - www.P65Warnings.ca.gov

<p>Important: Installation instructions and current rough-in are furnished with each fixture. Do not rough in without certified dimensions. Dimensions are subject to manufacturer's tolerance of plus or minus 1/4" and change without notice. Acorn assumes no responsibility for use of void or superseded data. © Copyright 2009 Acorn Engineering Company</p>	
<p style="text-align: center;">Selection Summary</p> <p>Model No. & Option _____</p> <p>Quantity _____</p>	<p style="text-align: center;">Approved for Manufacturing</p> <p>Company _____ Title _____</p> <p>Signature _____ Date _____</p>