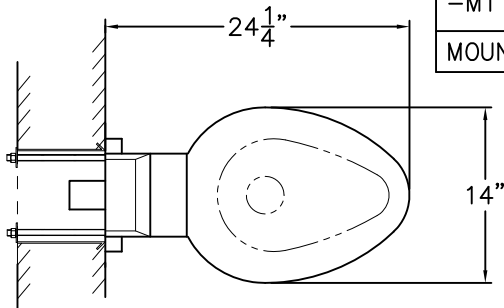




REFERENCE DRAWINGS		
-SW WALL SLEEVE /	-W WALL SUPPLY	9925-230-001
-MT METAL TEMPLATE	-T TOP SUPPLY	9925-231-001
MOUNTING HARDWARE		9957-900-001

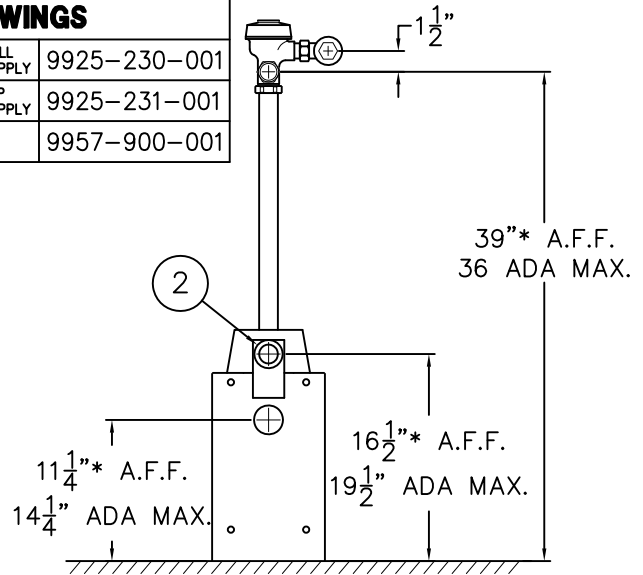


TOP VIEW

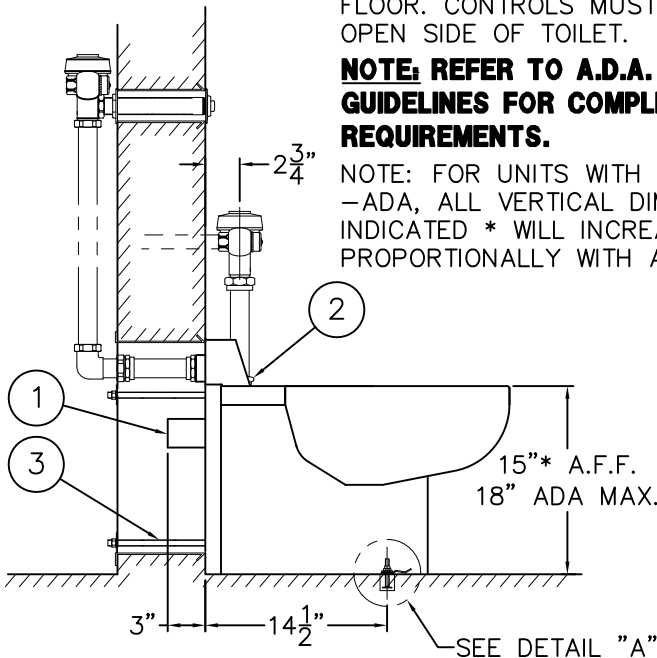
FOR -ADA MODELS -FLUSH VALVE MUST BE HYDRAULICALLY ACTUATED OR SUPPLIED WITH A SPECIAL HANDLE. MAX. CONTROL HEIGHT IS 36" ABOVE FINISHED FLOOR. CONTROLS MUST BE LOCATED ON OPEN SIDE OF TOILET.

NOTE: REFER TO A.D.A. ACCESSIBILITY GUIDELINES FOR COMPLETE INSTALLATION REQUIREMENTS.

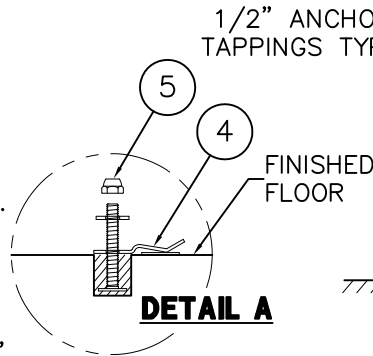
NOTE: FOR UNITS WITH SUFFIX OPTION -ADA, ALL VERTICAL DIMENSIONS INDICATED * WILL INCREASE PROPORTIONALLY WITH ADA SEAT HEIGHT.



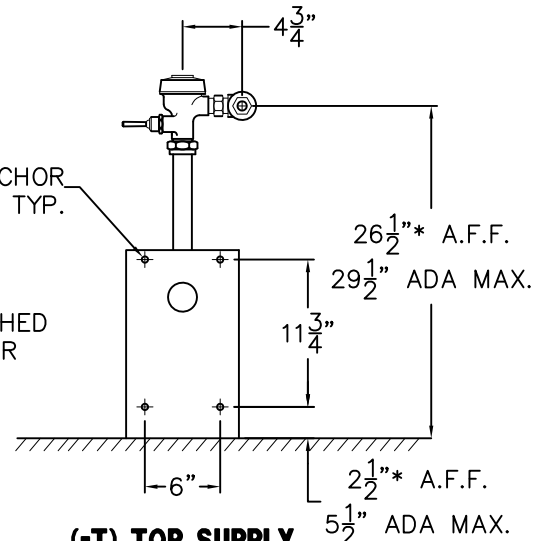
(-W) WALL SUPPLY REAR VIEW



SIDE VIEW



DETAIL A



(-T) TOP SUPPLY REAR VIEW

INSTALLATION INSTRUCTIONS:

- A- SEE REFERENCE DRAWING BOX FOR WALL SLEEVE INSTALLATION INSTRUCTIONS (SUFFIX OPTION -SW).
- B- ROUGH-IN PLUMBING FOR THE FOLLOWING CONNECTIONS:
 - TOILET WALL WASTE OUTLET 2-3/8" O.D. PLAIN END ①.
 - SUFFIX OPTION -W03 3" O.D. PLAIN END WASTE ①.
 - FLUSHING INLET CONNECTION 1-1/2" NPT ②.
- C- INSTALL 1/2"-13 ALL THREAD STUDS ③ INTO ANCHOR TAPPINGS AT REAR OF FIXTURE. STUDS MUST HAVE A MINIMUM 1/2" ENGAGEMENT.

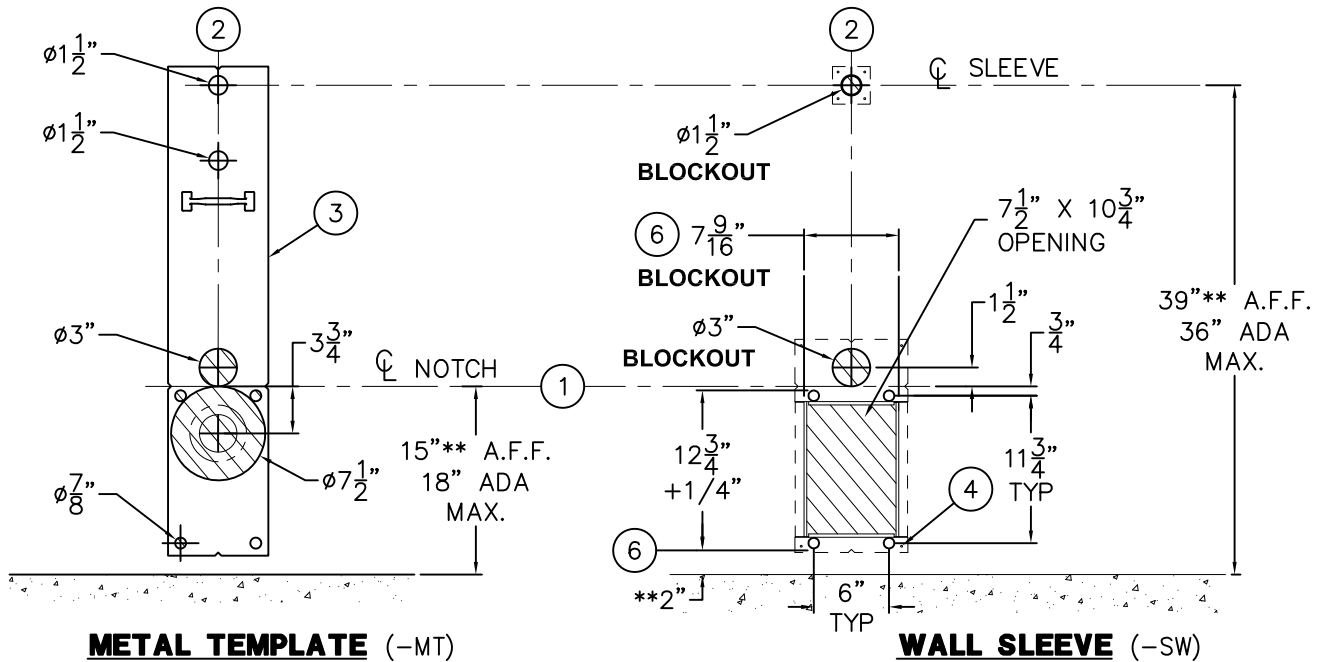
- D- ATTACH CONCEALED FLOOR ANCHORS ④ WITH T-BOLT ASSEMBLY ⑤ PROVIDED. SEE DETAIL "A".
- E- PLACE TOILET UP AGAINST CELL WALL, SLIDING THE STUDS THROUGH WALL SLEEVE OPENINGS AND ENGAGING WITH CONCEALED FLOOR ANCHORS ④.
- F- PLACE WASHERS AND NUTS ONTO STUDS ③; TIGHTEN TO 60FT/LBS.
- G- FLUSH SUPPLY LINE. MAKE-UP WASTE CONNECTION AND MOUNT FLUSH VALVE PER MANUFACTURERS' RECOMMENDATIONS.

ACORN ENGINEERING COMPANY P.O. BOX 3527 Industry, CA 91744 15125 Proctor Ave Industry, CA 91746 (626) 336-4561 FAX (626) 961-2200	TITLE BLOWOUT JET TOILET - ON FLOOR - CAT. #1685 / 1685-ADA -W/T		
	MANUFACTURE DATE OCT. 17, 1997 TO PRESENT	DATE ISSUED 8/18/97	DRAWING NUMBER 9925-044-002
	DATE REVISED 04/04/13		



BOTH VIEWS ARE FROM CELL SIDE

SHADED AREAS ARE REQUIRED WALL OPENINGS



METAL TEMPLATE (-MT)

WALL SLEEVE (-SW)

ALL VERTICAL DIMENSIONS INDICATED ** INCREASE PROPORTIONATELY WITH ADA SEAT HEIGHT. FOR ADA 18" SEAT HEIGHT, -W FLUSHING INLET BECOMES 19-1/2" AFF.

NOTE: ON Poured WALL CONSTRUCTION, THE PUSHBUTTON SLEEVE, ITEM 7 IS CAPPED. THIS CAP MUST BE REMOVED FROM THE CHASE SIDE OF THE WALL, BEFORE INSTALLING F.V. PUSHBUTTON.

-MT METAL TEMPLATE

METAL TEMPLATES ARE USED TO LAYOUT REQUIRED WALL OPENINGS FOR SUBSEQUENT FLAME CUTTING OR CORE DRILLING.

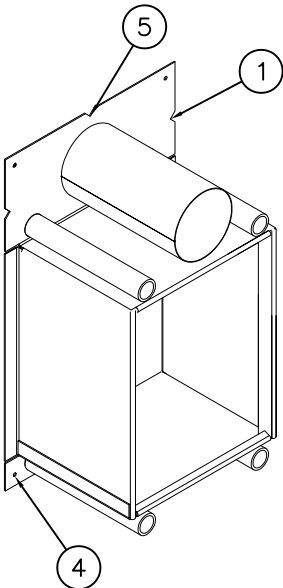
- A-MEASURE FROM FINISHED FLOOR ON CELL SIDE, AND STRIKE A HORIZONTAL CHALK LINE ① ON THE WALL AT DIMENSIONS SHOWN FOR SIDE NOTCHES, INDICATING DIMENSIONS SHOWN FOR SIDE NOTCHES, INDICATING TOILET SEAT HEIGHT ABOVE FINISHED FLOOR ON CELL SIDE.
- B-STRIKE A VERTICAL CHALK LINE ② AT DIMENSIONS SHOWN FOR VERTICAL OR TOP AND BOTTOM NOTCHES INDICATING CENTERLINE OF SLEEVE AND FIXTURE TOILET HOUSING.
- C-PLACE TEMPLATE ③ AGAINST WALL ALIGNING VERTICAL AND HORIZONTAL NOTCHES AND MARK REQUIRED WALL OPENINGS.

-SW WALL SLEEVE

SLEEVES ARE INSTALLED IN FORMS USING NAIL HOLES ④ PROVIDED OR GROUTED INTO BLOCK WALLS BECOMING A PERMANENT PART OF THE WALL.

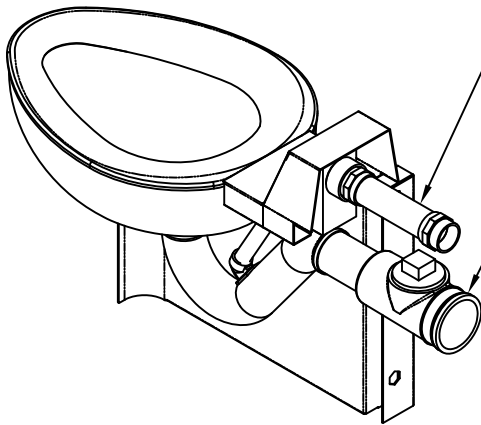
NOTE: FOR Poured WALL CONSTRUCTION, TEMPORARY BRACING SHOULD BE INSTALLED WITHIN OPENING TO PREVENT DEFORMATION TO SLEEVE WHICH MAY OCCUR DURING POUR. DO NOT POUR CONCRETE DIRECTLY ON TOP OF WALL SLEEVE.

- A-INSTALL SLEEVE WITH FLANGE ⑤ ON CHASE SIDE OF WALL.
- B-SIDE NOTCHES ① INDICATE INTEGRAL TOILET SEAT HEIGHT LOCATED 18" ABOVE FINISHED FLOOR ON CELL SIDE.
- C-VERTICAL OR TOP & BOTTOM NOTCHES INDICATE CENTERLINE ② OF SLEEVE AND FIXTURE TOILET HOUSING.
- D-USE BLOCKOUT DIMENSIONS SHOWN ⑥ WHEN SLEEVES ARE NOT AVAILABLE.



ACORN ENGINEERING COMPANY
P.O. BOX 3527 Industry, CA 91744
15125 Proctor Ave Industry, CA 91746
(626) 336-4561 FAX (626) 961-2200

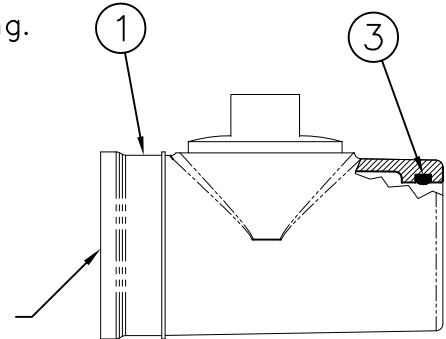
TITLE		
SLEEVES AND TEMPLATES (CAT. *1685-W, *1685-A.D.A.-W)		
MANUFACTURE DATE	DATE ISSUED	DRAWING NUMBER
FEB 1975	03/01/90	9925-230-001
TO PRESENT	DATE REVISED	
	04/04/13	



Optional -FVT Flush Valve Thru Wall Connection. Shown For Reference.

Optional -CO1 Waste Fitting. Shown For Reference.

REFERENCE DRAWING	
WASTE CONNECTION WITH CLEANOUT -CO1	9985-125-002

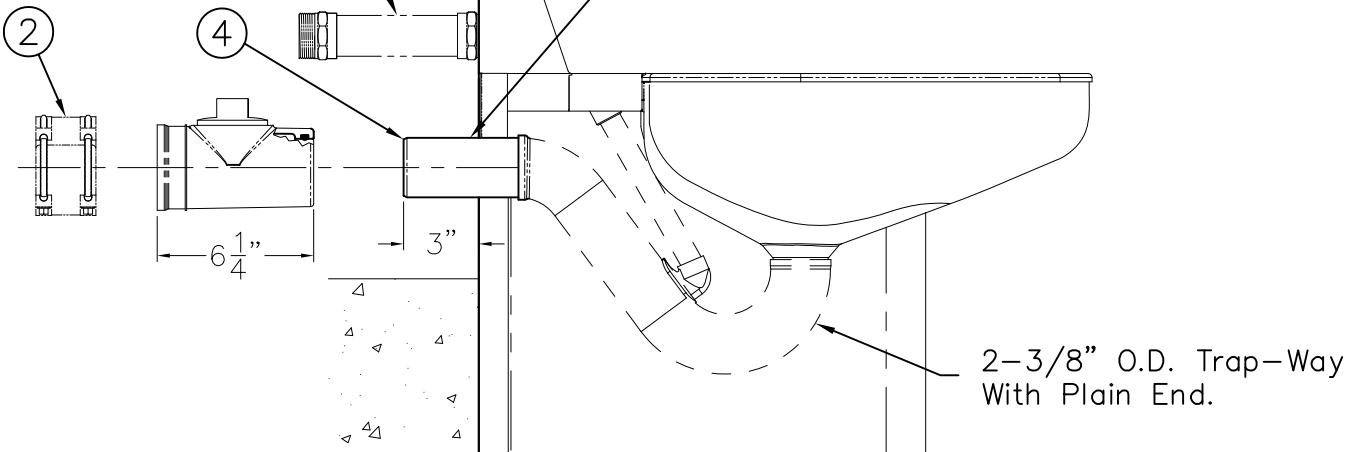


NOTE: Optional -CO1 Waste Fitting Available With 3" or 4" No-Hub

Scaled: X 2

Optional -FVT Flush Valve Thru Wall Connection Shown For Reference

Plain End Extends 3" Beyond Back Of Fixture. Optional Extended Waste Is Available -TWE



MODEL #1685 SHOWN FOR REFERENCE

INSTALLATION INSTRUCTIONS

A-INSERT O-RING ③ INTO GROOVE OF WASTE FITTING ①. LUBRICATE THE O-RING ③ WITH O-RING LUBRICANT.

B-INSTALL WASTE FITTING ① TO FIXTURE P-TRAP WASTE EXTENSION ④. ENGAGEMENT IS APPROXIMATELY 1-1/4". NOTE: TOILET WASTE

EXTENSION ④ IS 3" BEYOND BACK OF FIXTURE. LONGER WASTE EXTENSION IS AVAILABLE.

C-MAKE UP WASTE FITTING CONNECTION TO WASTE PIPING USING NO-HUB (BAND) CONNECTOR ② BY OTHERS.

ACORN ENGINEERING COMPANY
P.O. BOX 3527 INDUSTRY, CA. 91744
(626) 336-4561 FAX (626) 961-2200

TITLE **NO-HUB WASTE CONNECTION WITH CLEANOUT -CO1**

MANUFACTURE DATE

JULY 1975
PRESENT

DATE ISSUED

1/29/96

DATE REVISED

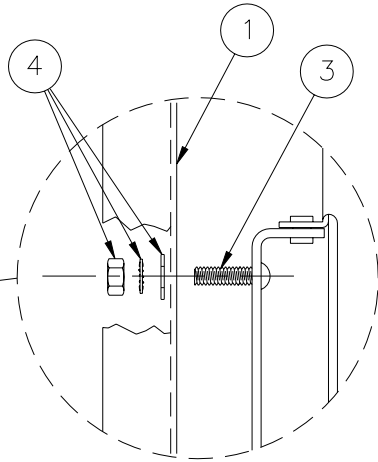
11/08/13 D

DRAWING NUMBER

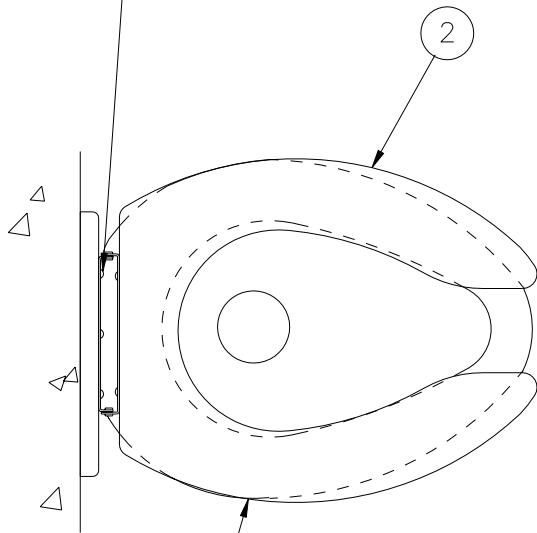
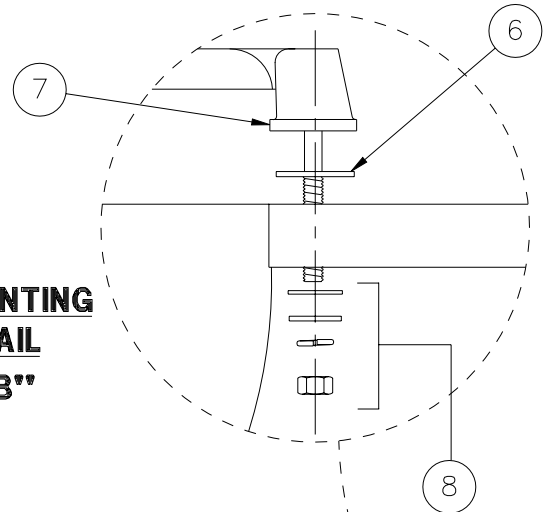
9925-054-001



**MOUNTING
DETAIL
"A-A"**

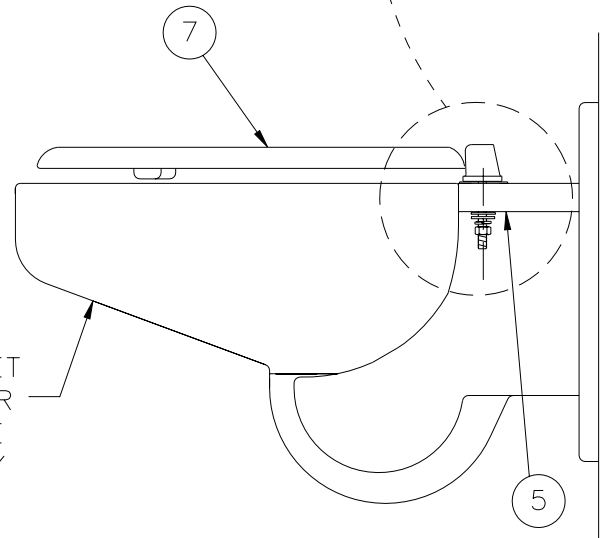


**MOUNTING
DETAIL
"B-B"**



1679 TOILET
SHOWN FOR
REFERENCE
ONLY

1675 TOILET
SHOWN FOR
REFERENCE
ONLY



**INSTALLATION INSTRUCTIONS-COMBY AND 1679 TOILET
PRIOR TO MOUNTING FIXTURE ON WALL:**

- A- LOCATE HINGED SEAT MOUNTING HOLES ON FIXTURE ①.
- B- POSITION HINGED SEAT ② AGAINST UNIT ① BY INSERTING SCREWS ③ INTO MOUNTING HOLES.
- C- ASSEMBLE NUT, WASHER AND LOCK-WASHER ④ AS SHOWN IN MOUNTING DETAIL "A-A".

**INSTALLATION INSTRUCTIONS-TOILETS
PRIOR TO MOUNTING FIXTURE ON WALL:**

- A- LOCATE HINGED SEAT MOUNTING HOLES IN FIXTURE ⑤.
- B- INSERT WASHERS ⑥ BETWEEN TOP OF TOILET AND HINGE SEAT ⑦.
- C- POSITION HINGED SEAT ⑦ ON TOP OF UNIT.
- D- ASSEMBLE HARDWARE ⑧ AS SHOWN IN MOUNTING DETAIL "B-B"



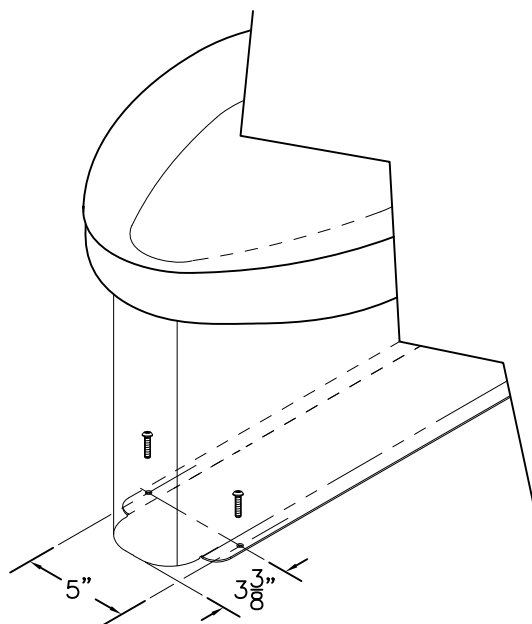
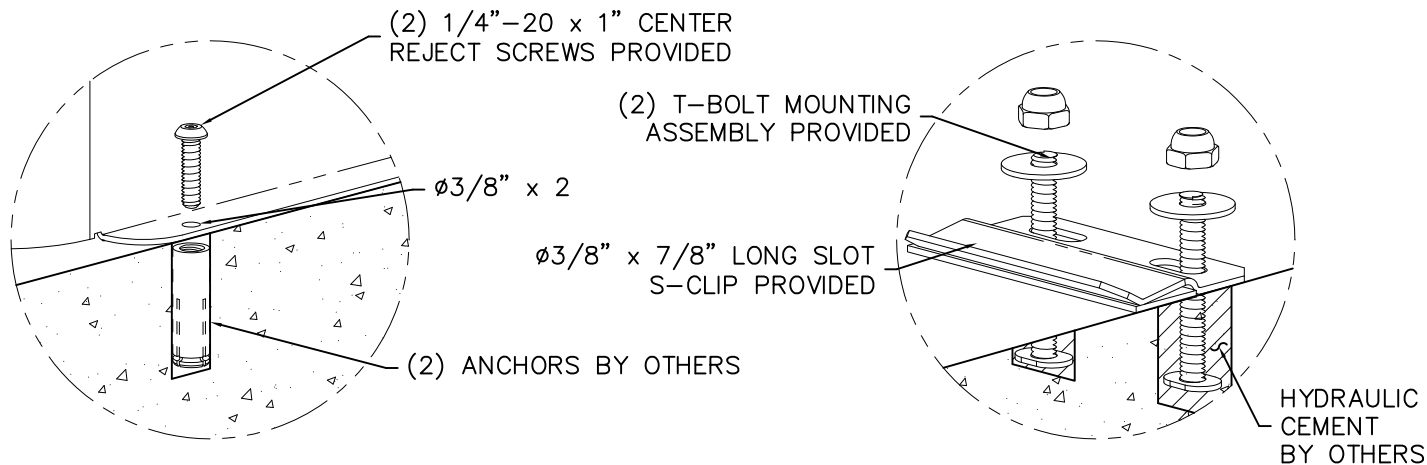
ACORN ENGINEERING COMPANY
P.O. BOX 3527 INDUSTRY, CA. 91744
(626) 336-4561 FAX (626) 961-2200

TITLE **-HS HINGED SEAT OPTION INSTALLATION DETAIL - COMBYS AND TOILETS**

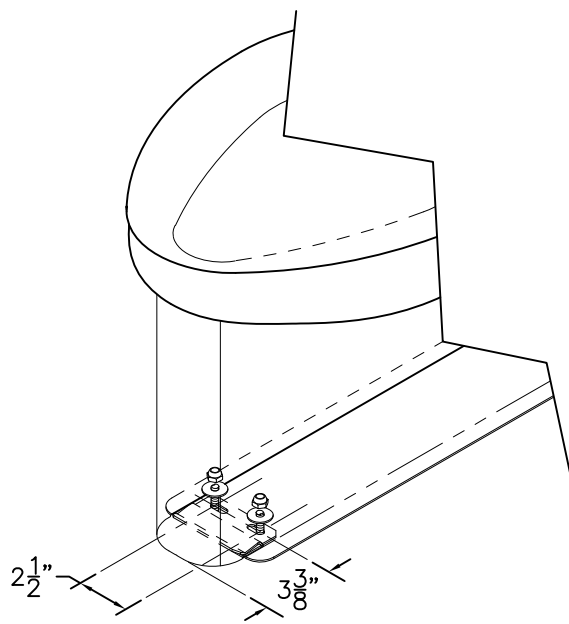
MANUFACTURE DATE
FEBRUARY 1999
TO PRESENT

DATE ISSUED
02/22/99
DATE REVISED
03/26/01

DRAWING NUMBER
9925-048-001



FLANGE MOUNTING



S-CLIP MOUNTING

-SS-SPS SUICIDE RESISTANT SKIRT OPTION IS PROVIDED WITH ADDITIONAL MOUNTING POINTS NOT NORMALLY PROVIDED WITH OUR STANDARD FIXTURES AND COME IN TWO STYLES AS INDICATED BELOW.

FIXTURES w/ FLANGE MOUNTING:

- A-AFTER ROUGHING IN AS REQUIRED, PLACE FIXTURE IN POSITION AND USE AS TEMPLATE TO LOCATE AND MARK FLANGE POINTS ON FLOOR.
- B-REMOVE FIXTURE AND INSTALL FLOOR ANCHORS BY OTHERS FOR 3/8" DIAMETER FLANGE PUNCHING.
- C-ALIGN WALL AND FLOOR ANCHORING POINTS AND COMPLETE FIXTURE INSTALLATION AS INDICATED BY THE FIXTURE INSTALLATION SHEET PROVIDED.

FIXTURES w/ S-CLIP:

- A-AFTER ROUGHING IN AS REQUIRED, PLACE FIXTURE IN POSITION AND USE AS A TEMPLATE TO LOCATE AND MARK S-CLIP MOUNTING LOCATION ON FLOOR AS INDICATED.
- B-REMOVE FIXTURE, INSTALL T-BOLTS FOR S-CLIP 3/8" x 7/8" LONG MOUNTING SLOTS AND SECURE WITH HYDRAULIC CEMENT (BY OTHERS)
- C-INSTALL S-CLIP
- D-PLACE FIXTURE ON FLOOR POSITIONING THE "NOSE" OF THE SKIRT SEVERAL INCHES IN FRONT OF S-CLIP MOUNTING LOCATION, SLIDE FIXTURE INTO PLACE ENGAGING THE S-CLIP AND ALIGNING WALL MOUNTING LOCATIONS. COMPLETE FIXTURE INSTALLATION AS INDICATED BY THE FIXTURE INSTALLATION SHEET PROVIDED.



ACORN ENGINEERING COMPANY
P.O. BOX 3527 Industry, CA 91744
15125 Proctor Ave Industry, CA 91746
(626) 336-4561 FAX (626) 961-2200

TITLE **-SPS MOUNTING DETAIL**

MANUFACTURE DATE
AUGUST 2012
TO PRESENT

DATE ISSUED
08/15/12
DATE REVISED
11/05/13 A

DRAWING NUMBER
9925-007-001