



Penal-Ware® 1709HEU Series

ADA Compliant High Efficiency Urinal



1709HEU-W-1

Fixture May Show Some Available Options

Please visit www.acorneng.com for most current specifications.

ADA Compliant High Efficiency Urinal

Penal-Ware High Efficiency Urinals are engineered to combine attractive looks with versatility, and intended for mounting onto a finished wall from an accessible pipe chase. Unit features a contoured interior to facilitate cleaning. Urinals mounted at 17" rim height comply with ANSI, ADA, UFAS accessibility requirements. Compliance is subject to the interpretation and requirements of the local code authority.

Fixture bowl is fabricated of 16 gage type 304 stainless steel and the housing fabricated of 18 gage type 304 stainless steel with exterior surfaces polished to a satin finish.

Urinal is a high efficiency type requiring a 1/8 GPF (0.47 Liters per Flush) to 1/2 GPF (1.8 Liters per Flush) flush valve and supplied with 3/4" NPT flushing inlet connection and 1-1/2" O.D. plain end P-Trap.

GUIDE SPECIFICATION

Provide Acorn Penal-Ware Stainless Steel Urinal (specify model number and options). Urinal mounted at 17" rim height to comply with ANSI, ADA and UFAS accessibility requirements. Interior to have a contoured surface to facilitate cleaning. Fixture shall be fabricated of 18 gage with 16 gage bowl type 304 stainless steel with exposed surfaces polished to a satin finish.

Penal-Ware® 1709HEU High Efficiency Urinal - ADA Compliant



MODEL NUMBER AND OPTIONS SELECTION

WALL THICKNESS AND TYPE

Thickness: _____ Type: Concrete Block Steel

BASE MODEL NUMBER

-1709HEU High Efficiency Urinal

SUPPLY SELECTION (Must Specify)

-T Top (Exposed)
 -W Wall (Concealed)

FIXTURE MOUNTING & WASTE (Must Specify)

-1 Off-Floor, Wall Outlet

FLUSH VALVE GPF's (Must Specify)

-0.125 GPF
 -0.5 GPF (Not Available in California)

FLUSH VALVE OPTIONS (Must Specify)

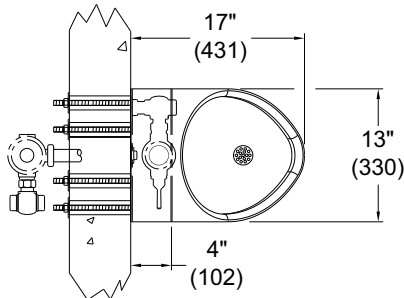
REFER TO ACORN DURA-WARE ACCESSORIES FOR FLUSH VALVE COVER #2802, BOX #2803-1 AND PANEL #2898

- EVSFV Master-Trol® Electronic Flush Valve (N/A for Top Supply)
- EVSPFV Master-Trol® Electronic Flush Valve w/ Piezo Button (N/A for Top Supply)
- FV Flush Valve, Mechanical (N/A for ADA)
- FVBO Flush Valve by Others
- FVH Flush Valve, Hydraulic (N/A for Top Supply)
- FVL Flush Valve, Lever Handle (Wall Supply)
- MTPFV Master-Trol® PLUS Electronic Flush Valve
- MTPPFV Master-Trol® PLUS Electronic Flush Valve w/ Piezo Button
- MVCFV Time-Trol® Electronic Flush Valve (N/A for Top Supply)

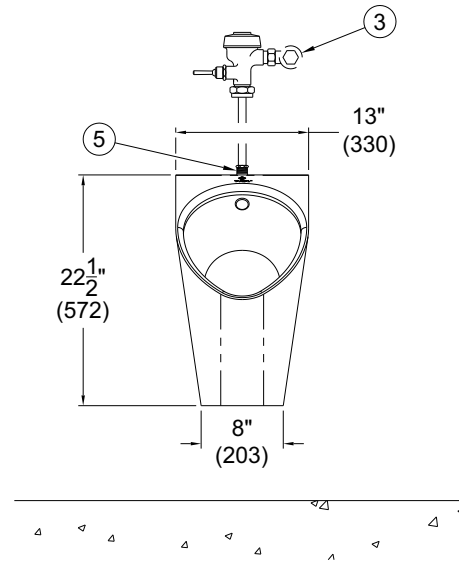
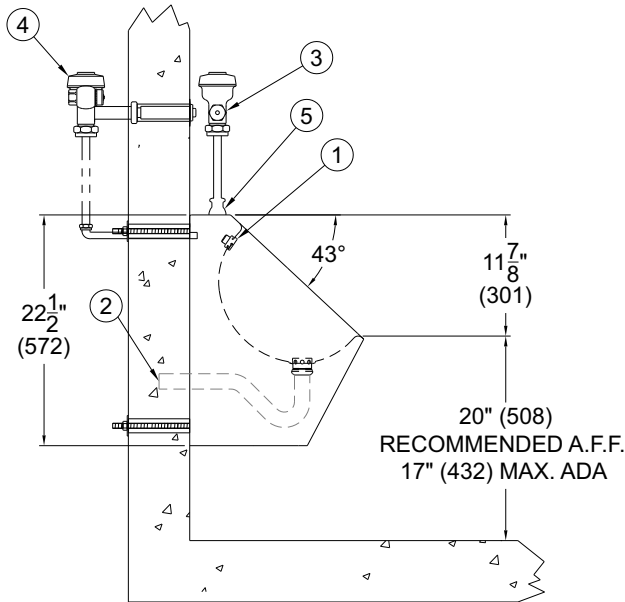
PRODUCT OPTIONS (Must Specify)

- EG Enviro-Glaze (Interior and Exterior):
Color: _____
- MT Metal Template
- SW Wall Sleeve
- TF Transformer, 120VAC to 24VAC (-MVCFV option)

Please visit www.acorneng.com for most current specifications.



1. Flush Nozzle
2. 1-1/2" O.D. Stainless Steel P-Trap Assembly
3. Optional -T Top Supply -FV Flush Valve
4. Optional -W Wall Supply -FV Flush Valve
5. 3/4" NPT Flushing Inlet Connection



MODEL #1709HEU-T/W-1

⚠ WARNING: Cancer and Reproductive Harm - www.P65Warnings.ca.gov

| | |
|---|--|
| <p>Important: Installation instructions and current rough-in are furnished with each fixture. Do not rough in without certified dimensions. <small>Dimensions are subject to manufacturer's tolerance of plus or minus 1/4" and change without notice. Acorn assumes no responsibility for use of void or superseded data. © Copyright 2008 Acorn Engineering Company</small></p> | |
| <p style="text-align: center;">Selection Summary</p> <p>Model No. & Option _____</p> <p>Quantity _____</p> | <p style="text-align: center;">Approved for Manufacturing</p> <p>Company _____ Title _____</p> <p>Signature _____ Date _____</p> |