



## Penal-Ware® 1730FA Series

Cabinet Shower - Front Access



1730FA-03-M-SHL

Fixture May Show Some Available Options

Please visit [www.acorneng.com](http://www.acorneng.com) for most current specifications

### Cabinet Shower - Front Access

**Cabinet Shower** is factory piped, tested, and arranged to be installed on finished wall and serviced from the fixture side. Panel is located on post of Cabinet for access to the Showerhead. Cabinet is fabricated from heavy gage type 304 stainless steel. Construction is seamless welded. Exposed sides of the exterior and the interior, except the Shower Floor, are polished to a satin finish. Shower Floor has a slip-resistant, matte surface. Underside of Shower Floor has heavy stainless steel reinforcing, and is sound-deadened with fire-resistant material. Cabinet is provided standard with -TA Threshold Anchors for mounting Cabinet to floor.

**Shower Floor** has stainless steel reinforcing. Waste outlet fitting provided is an Inside Caulk type. Fitting includes a removable Grid Strainer to allow for 2" IPS connection.

**Valve** is a pneumatically operated, pushbutton Air-Control Valve using atmospheric air. Pushbutton is vandal-resistant and requires less than 5 pounds of force to activate Valve. Valve is metering, non-hold open type. Valve timing is adjustable from 5 to 60 seconds. Valve includes a 1.6 GPM flow restrictor and can be remotely located up to 10 feet from the operating Pushbutton. Valve conforms with lead-free requirements of NSF61, Section 9.

**Showerhead** and Pushbutton Escutcheon are chrome-plated brass. The Acorn Showerhead furnished is installed on the inside of the entry with concealed piping to top of Cabinet.

**Regularly Furnished** items include a metering Air-Control Valve, a stainless steel surface mounted Soap Dish with tamper-resistant Fasteners, Studs, Anchor Plate, a collapsible Towel Hook welded on the outside of Door Jamb, and Threshold Anchor Mounting Hardware.

### GUIDE SPECIFICATION

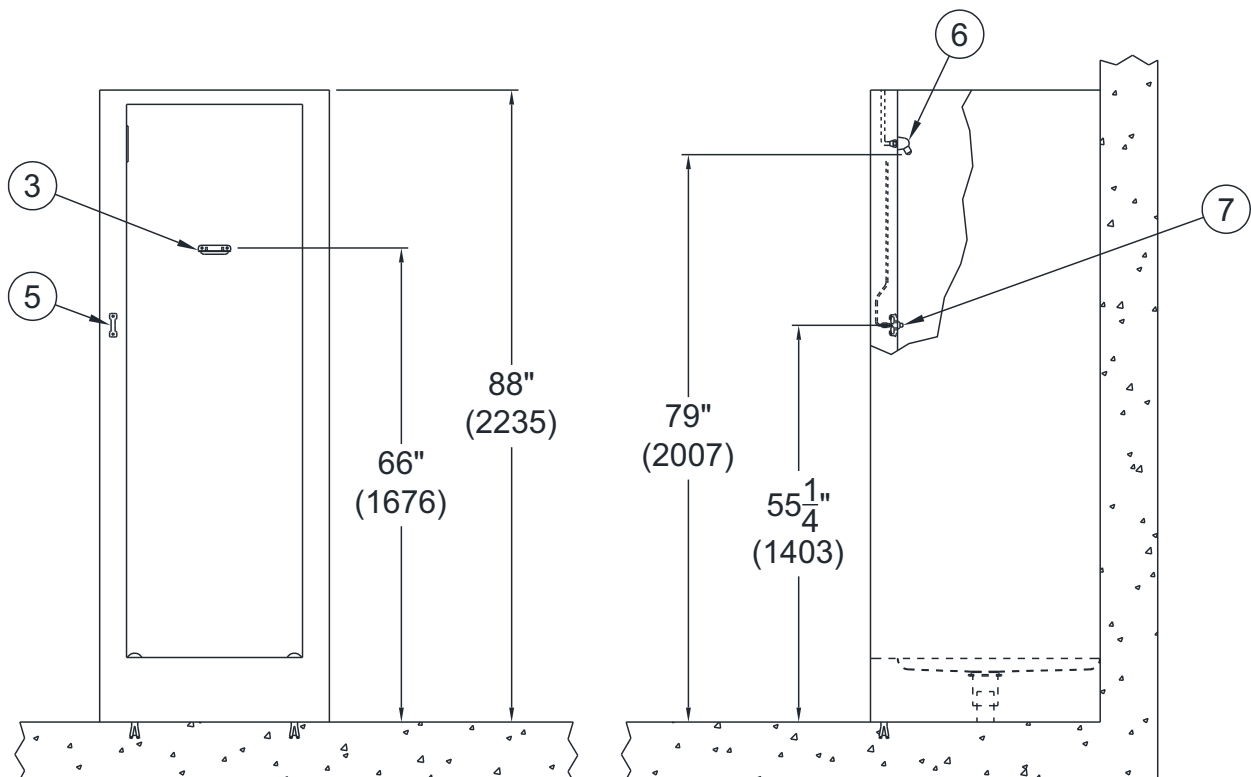
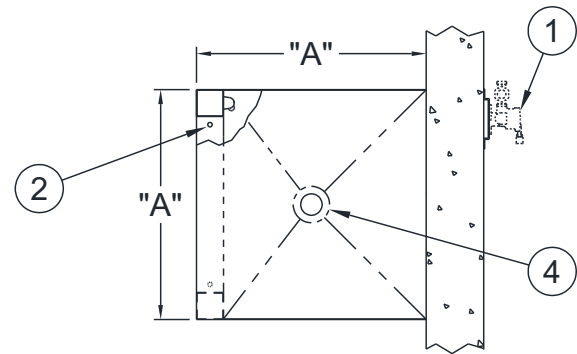
Provide and install Acorn Cabinet Shower - Front Access (specify model number and options). Cabinet Shower shall be unitized one piece, fabricated from heavy gage type 304 stainless steel. All seams shall be continuously welded. Panels shall have flush vandal-resistant Screws. Exposed surfaces shall be polished to a satin finish, except the Shower Floor, which shall have a slip-resistant, matte surface. Showerhead shall be mounted on inside of Door Jamb. Valve shall be Air-Control metering type. A collapsible Towel Hook shall be welded on the outside of the entry. Provide Threshold Anchors for mounting Cabinet to floor. Cabinet Shower shall be installed in accordance with manufacturer's recommendations.



**NOTES:**

1. Optional -03-M Air-Control Valve
2. Threshold Anchors
3. Surface Mounted Soap Dish
4. Inside Caulk Drain
5. Collapsible Towel Hook
6. Penal Showerhead
7. Penal Pushbutton

MODEL NO.	"A"
1730FA	30"
1732FA	32"
1736FA	35-3/4"
1736FA-KD	36"



**1730FA-SHL-03-M**



# Penal-Ware®: 1730FA Cabinet Shower - Front Access

### BASE MODEL NUMBER

- 1730FA 30" x 30" Cabinet Shower - Front Access
- 1732FA 32" x 32" Cabinet Shower - Front Access
- 1736FA 36" x 36" Cabinet Shower - Front Access

### WALL THICKNESS AND TYPE (Must Specify)

Thickness: \_\_\_\_\_ Type:  Concrete  Block  Steel

### POLISHED EXTERIOR WALLS (Must Specify)

- PWB Polished Exterior Wall Back
- PWL Polished Exterior Wall Left
- PWR Polished Exterior Wall Right
- PWN Polished Exterior Wall None

### SHOWERHEAD LOCATION (Must Specify)

- SHL Showerhead Left Column
- SHR Showerhead Right Column

### MODEL NUMBER AND OPTIONS SELECTION

#### VALVE SELECTION (Must Specify)

##### Air-Control (Pneumatic)

- 03-M Single Temp, Metering
- 04-M Hot & Cold, Metering

##### T/P Mixing Valve (SV16)

- 8 ASSE 1016 Compliant T/P Temperature/ Pressure Balancing Mixing Valve w/ Patented ADA Compliant Ligature Resistant Tri-Lever Handle (Wall Opening Required)

##### Must Specify -8 Valve Location

- Left Wall  Back Wall  Right Wall

- 8MV ASSE 1016 Compliant T/P Temperature/ Pressure Balancing Mixing Valve w/ Single-Temp Metering Valve & Patented ADA Compliant Ligature Resistant Tri-Lever Handle (Wall Opening Required)

##### Must Specify -8MV Valve Location

- Left Wall  Back Wall  Right Wall

#### Master-Trol® (Electronic)

- EVS1 Single Temp
- EVS2 Hot & Cold
- EVSP1 Single Temp, Piezo Button
- EVSP2 Hot & Cold, Piezo Buttons

#### Master-Trol® PLUS (Electronic)

- MTP1 Single Temp
- MTP2 Hot & Cold
- MTPP1 Single Temp, Piezo Button
- MTPP2 Hot & Cold, Piezo Buttons

#### Time-Trol® (Electronic)

- MVC1 Single Temp
- MVC2 Hot & Cold

#### Programmable (Electronic) w/9VDC Plug-In Transformer

- PPZ1 Single Temp Programmable Piezo Button
- PPZ2 Hot & Cold Programmable Piezo Buttons

#### Valve By Others

- 9 Punched for Valve by Others

### VALVE OPTIONS

- BRS Brass Body Valve
- PBH Hemispherical Pushbutton
- TF Transformer, 120VAC to 24VAC (-MVC option only)

### SHOWERHEAD OPTIONS

- CSH Conical Showerhead
- PYY Penal Lockable Universal Ball Joint

### PRODUCT OPTIONS

- EG Enviro-Glaze, Specify Color: \_\_\_\_\_
- F Flow Control
- 2.0 GPM (After July 1, 2018, This Option Will No Longer Be Available For Use in California)
- FG 14 Gage Cabinet
- KD Knock-Down Cabinet
- LSD Less Surface Mounted Soap Dish
- MD Modesty Door  Hinged Left  Hinged Right
- RD Recessed Soap Dish - Back Wall Only
- SR Shower Receptor

### CLOSURE PANELS (Must Specify)

**\*\*Refer to Installation Drawings 9925-117-001 and 9925-119-001 For Details Required**

- None No Closures Required

#### **\*\*If Closures Are Required Type Must Be Specified Below**

- Provide at Later Date (Dimensions to Follow)
- Provide With Cabinet
  - CHV Horizontal & Vertical Closure(s)
    - AL  -AR  -C  -L  -R  -TF
  - HAC Horizontal & Angled Closure(s)
    - AL  -AR  -TSW
  - STC Sloping Top Closure

Please visit [www.acorneng.com](http://www.acorneng.com) for most current specifications

**WARNING:** Cancer and Reproductive Harm - [www.P65Warnings.ca.gov](http://www.P65Warnings.ca.gov)

<p><b>Important:</b> Installation instructions and current rough-in are furnished with each fixture. Do not rough in without certified dimensions. Dimensions are subject to manufacturer's tolerance of plus or minus 1/4" and change without notice. Acorn assumes no responsibility for use of void or superseded data. © Copyright 2006 Acorn Engineering Company</p>	
<p style="text-align: center;">Selection Summary</p> <p>Model No. &amp; Option _____</p> <p>Quantity _____</p>	<p style="text-align: center;">Approved for Manufacturing</p> <p>Company _____ Title _____</p> <p>Signature _____ Date _____</p>