



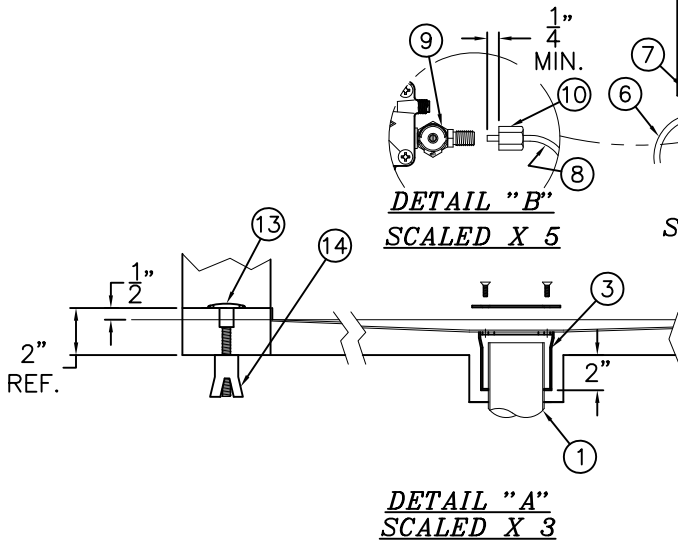
NOTE:
 RECOMMENDED WORKING PRESSURE IS 25 PSI MINIMUM 100 PSI MAXIMUM;
 OUTLET TEMPERATURE IS RECOMMENDED AT A MAXIMUM OF 105°F.

WARNING:
 PRIOR TO MAKING INSTALLATION, SUPPLY LINES MUST BE FLUSHED OF ALL FOREIGN MATERIAL SUCH AS PIPE DOPE, CHIPS, ETC. VALVE MUST BE DRAINED PRIOR TO BEING SUBJECTED TO FREEZING TEMPERATURES. MAXIMUM RECOMMENDED OUTLET WATER TEMPERATURE IS 105°F.

NOTE:
 **INSTALLATION REQUIRES THE USE OF AN APPROPRIATE CERTIFIED THERMOSTATIC MIXING VALVE PROVIDED BY OTHERS, PER APPLICABLE CODE.

REFERENCE DRAWINGS	
ASSEMBLIES	NUMBERS
FIXTURE TRIM	9957-300-001
-3 VALVE BODY	9955-006-003
STOP	9956-040-003
-M METERING SERVOMOTOR	9955-000-002
SHOWER HEAD	9970-102-003
MOUNTING HDWR.	9957-900-001

NOTE: REFER TO A.D.A. ACCESSIBILITY GUIDELINES FOR COMPLETE INSTALLATION REQUIREMENTS.



NOTE:
 UNIT MUST BE RECESSED INTO FLOOR 1-1/2" TO COMPLY WITH ADA GUIDELINES.

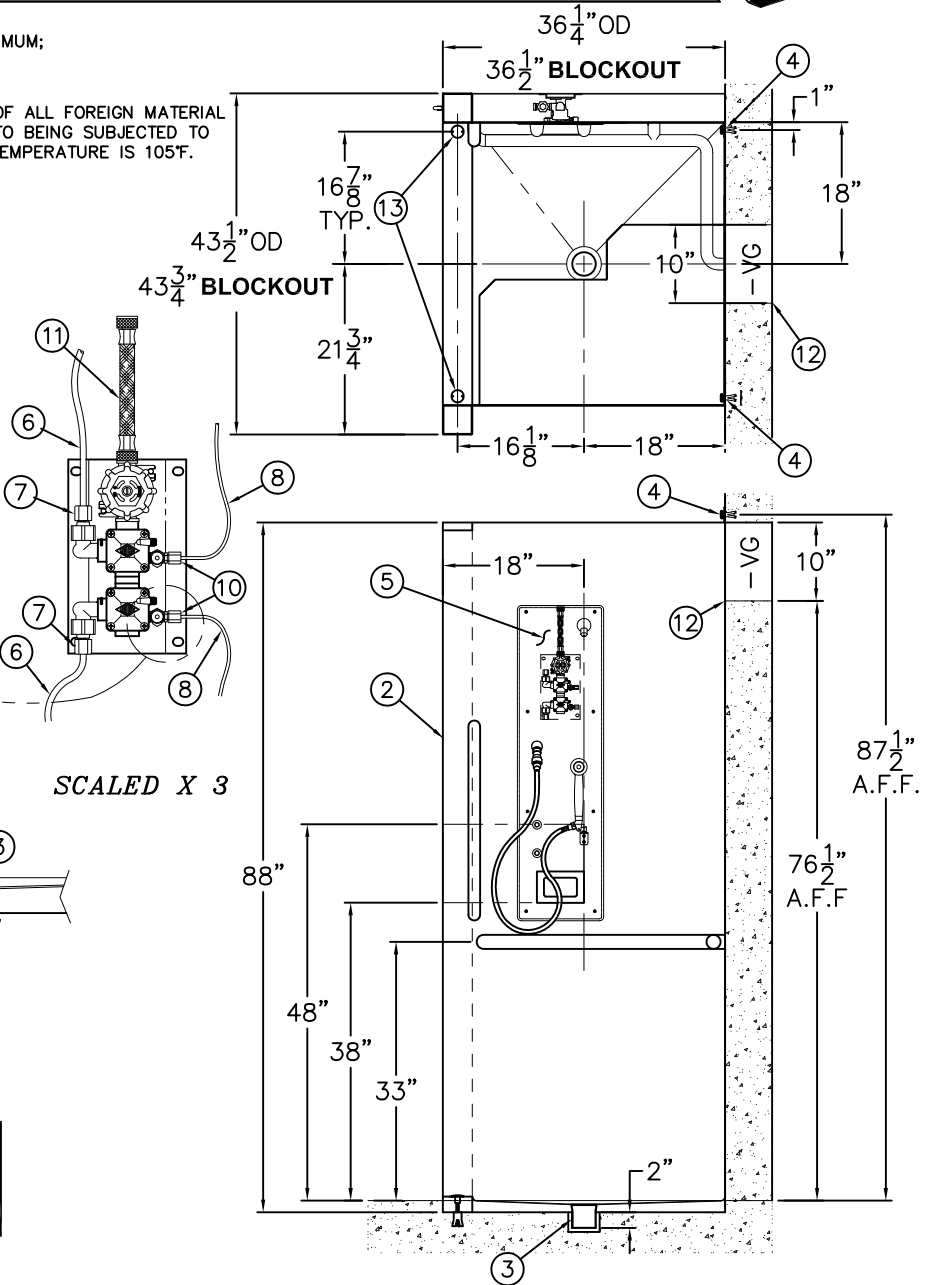
INSTALLATION INSTRUCTIONS:

- A- ROUGH-IN FOR WASTE OUTLET (1) 2" IPS FOR INSIDE CAULK WASTE (DETAIL "A") AS INDICATED.
- B- POSITION CABINET SHOWER (2) IN DESIRED LOCATION. PLACE CABINET (2) OVER 2" IPS (1) AND MAKE-UP CONNECTION TO INSIDE CAULK (3) (SEE DETAIL "A"), AND SECURE CABINET (2) TO WALL UTILIZING MOUNTING TABS (4). WALL ANCHORS AND HARDWARE BY OTHERS.
- C- REMOVE SHOWER PANEL (5). ASSEMBLE 1/4" O.D. RISER TUBING (6) TO THE COMPRESSION FITTING (7) AT THE AIR-CONTROL VALVE OUTLET. TIGHTEN WATERTIGHT.
- D- CONNECT 1/8" O.D. PLASTIC TUBING (8) TO AIR-CONTROL SERVOMOTOR (9) AND HAND TIGHT FERRULE NUT (10). (SEE DETAIL "B")

- E- AFTER THOROUGHLY FLUSHING THE SUPPLY LINE, CONNECT 1/2" NPS FLEX HOSE (11) FROM VALVE INLET TO SUPPLY STUB-OUT. (NOTE: 1/2" NPS FLEX HOSE (11) WILL ACCOMMODATE 1/2" NPT MALE ADAPTER.)
- F- REINSTALL SHOWER PANEL (5) TO CABINET (2).

OPTIONAL FEATURE INSTALLATION INSTRUCTIONS:

- VG VENT GRILLE (12) PROVIDE WALL OPENING 10" x 10" AT DIMENSIONS SHOWN.
- TA THRESHOLD ANCHORS (13) LAYOUT FLOOR ANCHORS (14) (PROVIDED BY OTHERS) AS DIMENSIONED ABOVE.



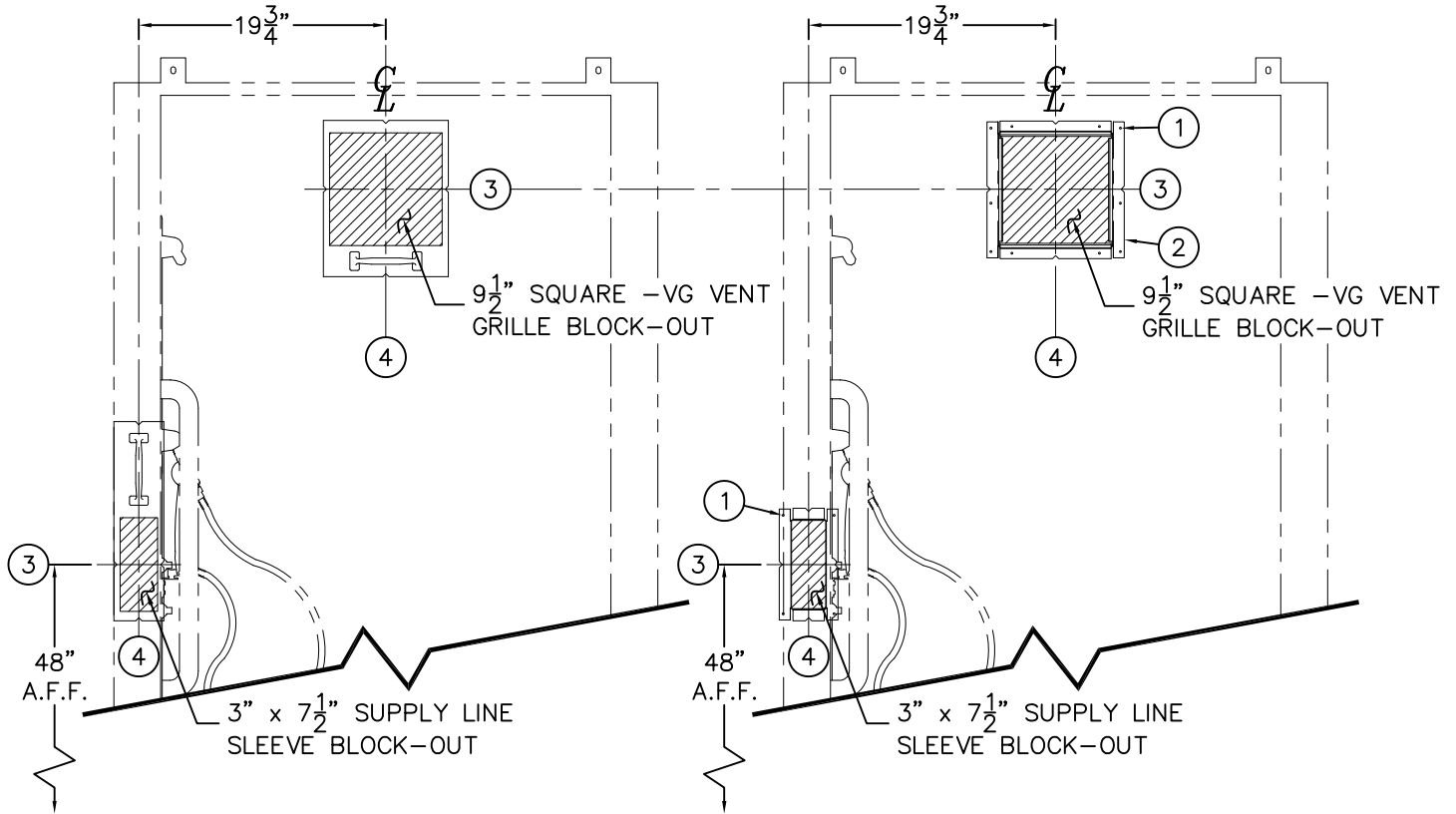
ACORN ENGINEERING COMPANY
 P.O. BOX 3527 INDUSTRY, CA. 91744
 (626) 336-4561 FAX (626) 961-2200

TITLE ADA CABINET SHOWER CAT. #1736-ADA-A		
MANUFACTURE DATE DECEMBER 2008 PRESENT	DATE ISSUED 02/03/09	DRAWING NUMBER 9925-143-001
	DATE REVISED 04/16/13 B	



1736ADA-A-L-VG BACK WALL CHASE SHOWN
1736ADA-A-R-VG IS OPPOSITE

1736ADA-A-L-VG BACK WALL CHASE SHOWN
1736ADA-A-R-VG IS OPPOSITE



SHADED AREAS ARE REQUIRED WALL OPENINGS

WALL SLEEVE

THE 1736ADA-A WALL SLEEVES ARE INTENDED TO PROVIDE THRU WALL OPENINGS ONLY. NO MOUNTING POINTS ARE INCLUDED WITH THE WALL SLEEVE. SLEEVES ARE INSTALLED IN FORMS USING NAIL HOLES ① PROVIDED OR GROUTED INTO BLOCK WALLS BECOMING A PERMANENT PART OF THE WALL.

- A- INSTALL SLEEVE WITH FLANGE ② ON CHASE SIDE OF WALL.
- B- LOCATE SIDE NOTCHES ③ AS INDICATED AT HORIZONTAL CENTERLINE OF SLEEVE.
- C- LOCATE TOP AND BOTTOM NOTCHES ④ AS INDICATED AT VERTICAL CENTERLINE OF SLEEVE.
- D- USE BLOCK-OUT ⑤ DIMENSIONS SHOWN WHEN SLEEVES ARE NOT AVAILABLE.

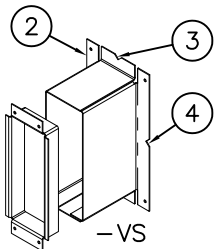
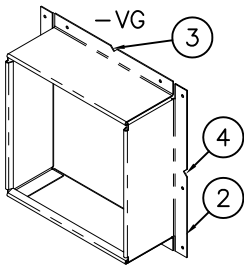
NOTE:

FOR POURED WALL CONSTRUCTION, TEMPORARY BRACING SHOULD BE INSTALLED WITHIN OPENING TO PREVENT DEFORMATION TO SLEEVE WHICH MAY OCCUR DURING POUR. DO NOT POUR CONCRETE DIRECTLY ON TOP OF WALL SLEEVE.

METAL TEMPLATE

METAL TEMPLATES ARE USED TO LAYOUT REQUIRED WALL OPENINGS FOR SUBSEQUENT FLAME CUTTING OR CORE DRILLING.

- A- MEASURE FROM THE FINISHED FLOOR ON FIXTURE SIDE AND STRIKE A HORIZONTAL CHALK LINE ③ ON THE WALL AS INDICATED. THIS WILL LOCATE THE LEFT & RIGHT NOTCHES FOR HORIZONTAL CENTERLINE OF OPENINGS.
- B- STRIKE A VERTICAL CHALK LINE ④ AS INDICATED. THIS WILL LOCATE THE TOP & BOTTOM NOTCHES FOR VERTICAL CENTERLINE OF OPENINGS.
- C- PLACE TEMPLATES AGAINST WALL ALIGNING HORIZONTAL AND VERTICAL CENTERLINES WITH NOTCHES ON TEMPLATE.

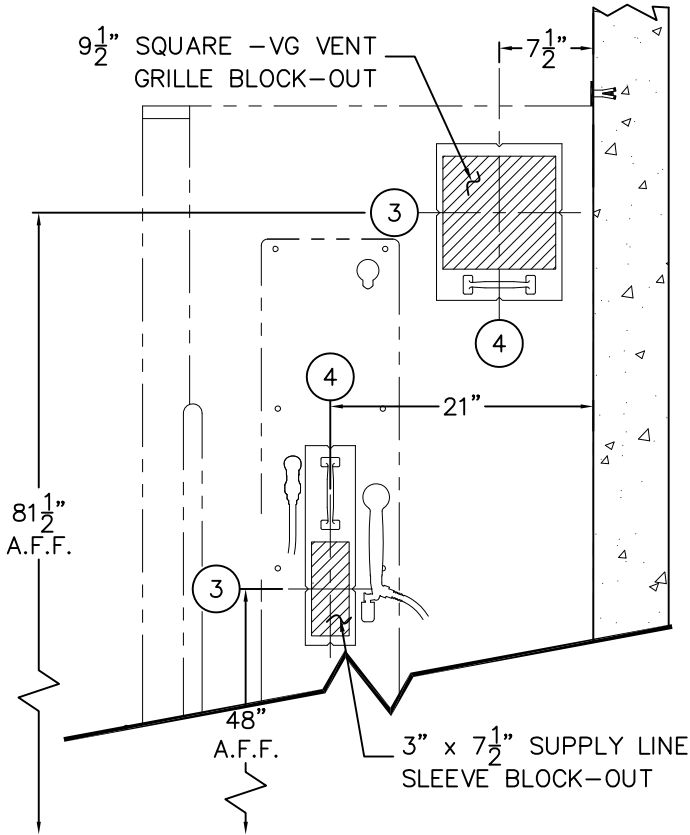


ACORN ENGINEERING COMPANY
P.O. BOX 3527 Industry, CA 91744
15125 Proctor Ave Industry, CA 91746
(626) 336-4561 FAX (626) 961-2200

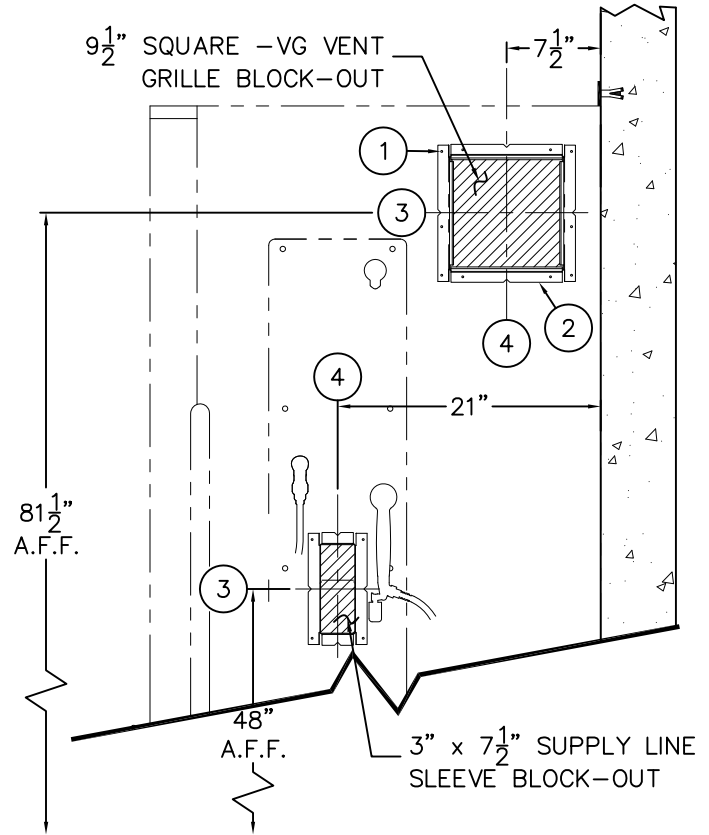
TITLE SLEEVE & TEMPLATE INSTRUCTIONS -#1736ADA-A BACK CHASE		
MANUFACTURE DATE OCTOBER 2009 TO PRESENT	DATE ISSUED 01/04/10	DRAWING NUMBER 9925-272-001
	DATE REVISED 08/20/13 D	



1736ADA-A-L-VG SIDE WALL CHASE SHOWN
1736ADA-A-R-VG IS OPPOSITE



1736ADA-A-L-VG SIDE WALL CHASE SHOWN
1736ADA-A-R-VG IS OPPOSITE



SHADED AREAS ARE REQUIRED WALL OPENINGS

WALL SLEEVE

THE 1736ADA-A WALL SLEEVES ARE INTENDED TO PROVIDE THRU WALL OPENINGS ONLY. NO MOUNTING POINTS ARE INCLUDED WITH THE WALL SLEEVE. SLEEVES ARE INSTALLED IN FORMS USING NAIL HOLES ① PROVIDED OR GROUTED INTO BLOCK WALLS BECOMING A PERMANENT PART OF THE WALL.

- A- INSTALL SLEEVE WITH FLANGE ② ON CHASE SIDE OF WALL.
- B- LOCATE SIDE NOTCHES ③ AS INDICATED AT HORIZONTAL CENTERLINE OF SLEEVE.
- C- LOCATE TOP AND BOTTOM NOTCHES ④ AS INDICATED AT VERTICAL CENTERLINE OF SLEEVE.
- D- USE BLOCK-OUT ⑤ DIMENSIONS SHOWN WHEN SLEEVES ARE NOT AVAILABLE.

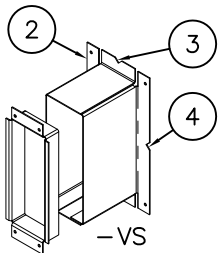
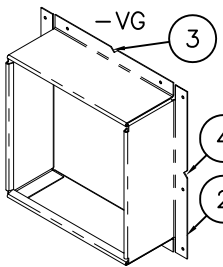
NOTE:

FOR POURED WALL CONSTRUCTION, TEMPORARY BRACING SHOULD BE INSTALLED WITHIN OPENING TO PREVENT DEFORMATION TO SLEEVE WHICH MAY OCCUR DURING POUR. DO NOT POUR CONCRETE DIRECTLY ON TOP OF WALL SLEEVE.

METAL TEMPLATE

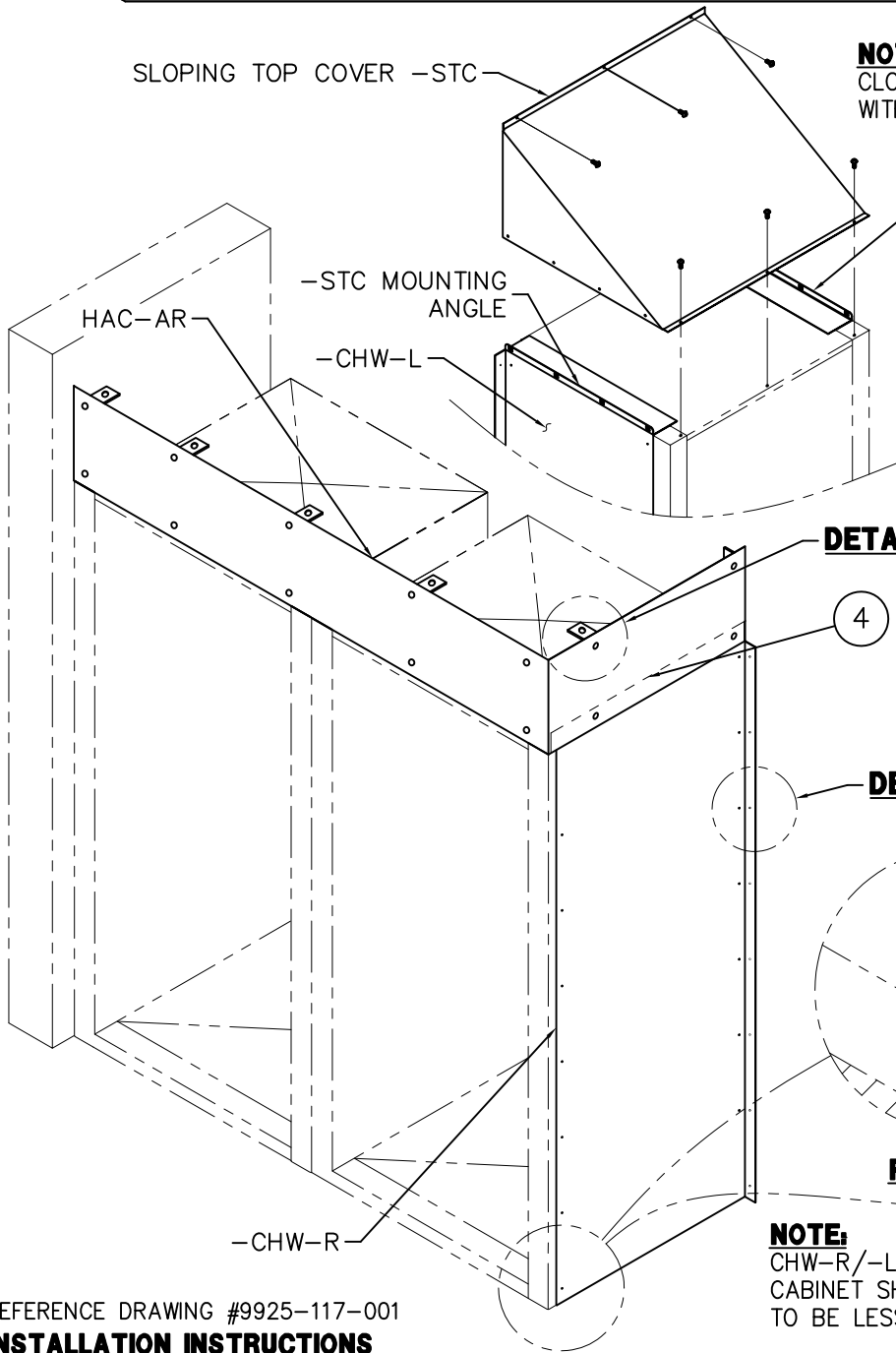
METAL TEMPLATES ARE USED TO LAYOUT REQUIRED WALL OPENINGS FOR SUBSEQUENT FLAME CUTTING OR CORE DRILLING.

- A- MEASURE FROM THE FINISHED FLOOR ON FIXTURE SIDE AND STRIKE A HORIZONTAL CHALK LINE ③ ON THE WALL AS INDICATED. THIS WILL LOCATE THE LEFT & RIGHT NOTCHES FOR HORIZONTAL CENTERLINE OF OPENINGS.
- B- STRIKE A VERTICAL CHALK LINE ④ AS INDICATED. THIS WALL LOCATE THE TOP & BOTTOM NOTCHES FOR VERTICAL CENTERLINE OF OPENINGS.
- C- PLACE TEMPLATES AGAINST WALL ALIGNING HORIZONTAL AND VERTICAL CENTERLINES WITH



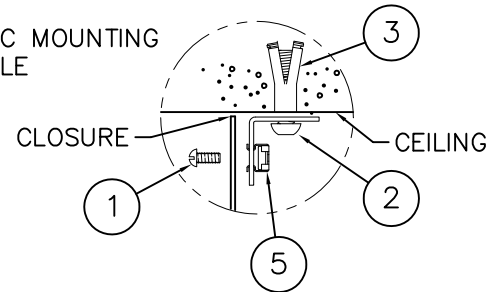
ACORN ENGINEERING COMPANY
P.O. BOX 3527 Industry, CA 91744
15125 Proctor Ave Industry, CA 91746
(626) 336-4561 FAX (626) 961-2200

TITLE		
SLEEVE & TEMPLATE INSTRUCTIONS --1736ADA-A SIDE CHASE		
MANUFACTURE DATE	DATE ISSUED	DRAWING NUMBER
OCTOBER 2009	01/04/10	9925-273-001
TO PRESENT	DATE REVISED 08/20/13 C	

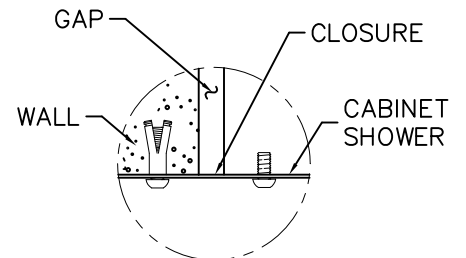


NOTE:

CLOSURE WALLS CHW-R/-L MAY BE REQUIRED WITH SLOPING TOP COVER -STC.



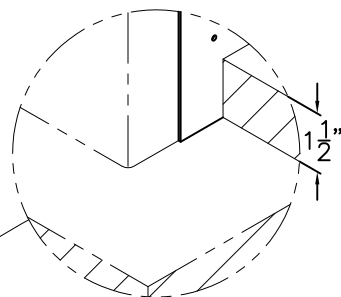
MOUNTING BRACKET DETAIL "A"



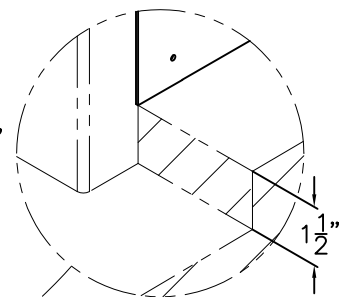
WALL ANCHOR DETAIL B

DETAIL A

DETAIL B



RECESSED



TO THE FLOOR

NOTE:

CHW-R/-L OPTION EXTENDS PANEL TO FULL HEIGHT OF CABINET SHOWER; MUST SPECIFY IF CHW-R/-L IS TO BE LESS RECESS.

WHERE CLOSURES ATTACH TO TOP AND SIDES OF CABINET THE FACTORY PROVIDES AN INTEGRAL ANGLE ④ TO BE DRILLED & TAPPED IN THE FIELD.

AN 'L' CLIP FASTENER ⑤ IS SUPPLIED WHERE CLOSURES ATTACH TO BACK WALL OR CEILING. WHEN FIELD DIMENSIONS ARE REQUIRED, THEY MUST BE FURNISHED IN WRITING BY THE CUSTOMER BEFORE FABRICATION BEGINS. WHEN ORDERING PROVIDE FACTORY WITH GAP DIMENSIONS, CLOSURE TYPE AND CABINET SHOWER MODEL NUMBER.

REFERENCE DRAWING #9925-117-001

INSTALLATION INSTRUCTIONS

CLOSURES ARE PROVIDED WITH HOLE PUNCHING AND SHOULD BE USED AS A TEMPLATE FOR MARKING SCREW LOCATIONS ON CABINET FOR FIELD DRILLING AND TAPPING. TAMPER RESISTANT #10-32 x 1/2" STAINLESS STEEL SCREWS ① ARE PROVIDED WHERE CLOSURES ATTACH TO CABINET OR A BRACKET. TAMPER RESISTANT #1/4"-20 x 1" STAINLESS STEEL SCREWS ② ARE PROVIDED WHERE BRACKETS ATTACH TO WALL OR CEILING. WALL OR CEILING ANCHORS ③ ARE PROVIDED BY THE INSTALLER.

SEE ACORN CATALOG FOR AVAILABLE CLOSURE STYLES.

ACORN ENGINEERING COMPANY P.O. BOX 3527 Industry, CA 91744 15125 Proctor Ave Industry, CA 91746 (626) 336-4561 FAX (626) 961-2200	TITLE 1736ADA-A CABINET SHOWER CLOSURES		
	MANUFACTURE DATE AUGUST 2012 TO PRESENT	DATE ISSUED 08/28/12	DRAWING NUMBER 9925-012-001
		DATE REVISED	



SPECIFY:

- 1730 30" CABINET
- 1732 32" CABINET
- 1736 36" CABINET
- 1736ADA CABINET
- 1736ADA-FA
- 1736ADA-A
- KD

-CHV CLOSURE, HORIZONTAL & VERTICAL

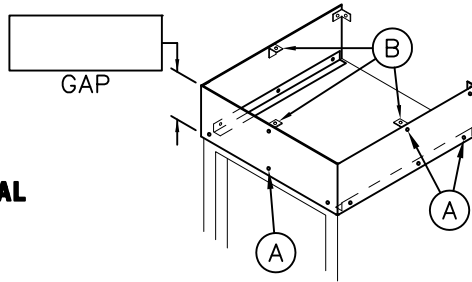
- C CENTER
- L LEFT
- R RIGHT
- AL ANGLED LEFT
- AR ANGLED RIGHT
- TF TOP FRONT
 - ONE CABINET SINGLE
 - TWO CABINETS DOUBLE
 - OTHER _____
- STC SLOPING TOP (NO DIMENSIONS REQUIRED)

-HAC HORIZONTAL ANGLED CLOSURES

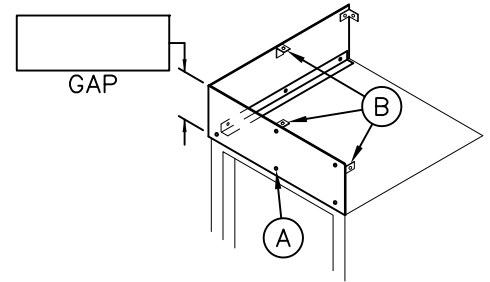
- AL ANGLED LEFT
- AR ANGLED RIGHT
- TSW TOP SINGLE WALL

SPECIFY:

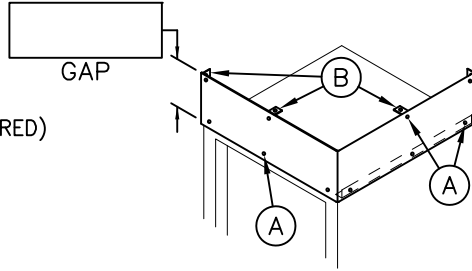
- LESS PUNCHING FOR FASTENERS



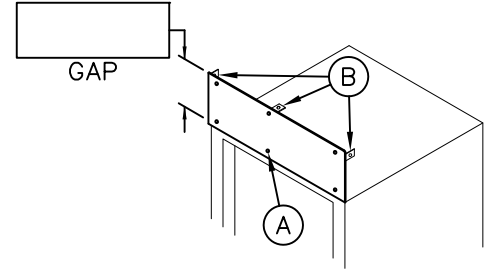
HAC - TSW
TOP SINGLE WALL



HAC - AL
LEFT HAND TOP CLOSURE

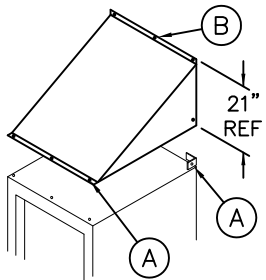


HAC - AR
RIGHT HAND TOP CLOSURE

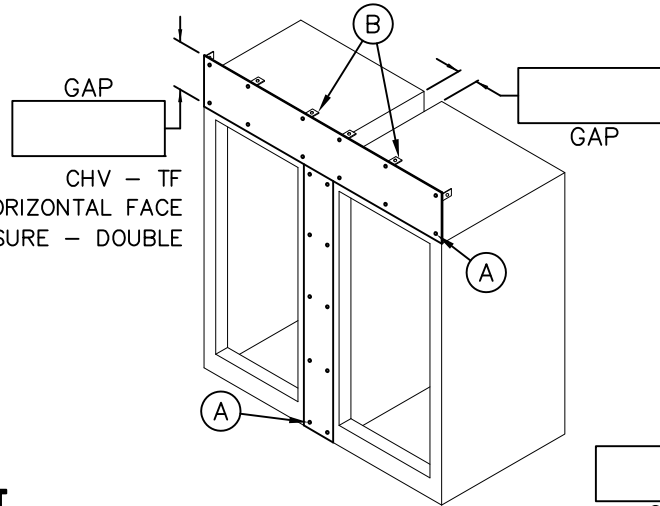


CHV - TF
HORIZONTAL FACE
CLOSURE - SINGLE

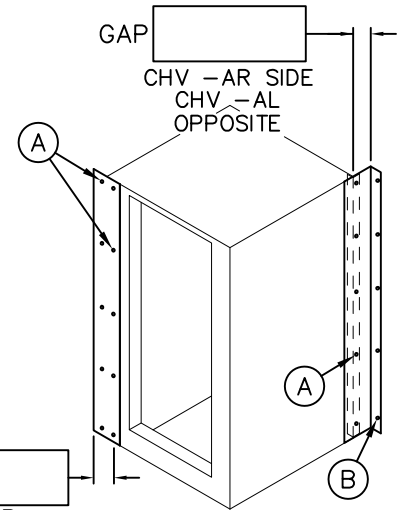
ALWAYS SPECIFY "GAP" DIMENSIONS.



CHV - STC
SLOPING TOP CLOSURE
(FIELD DIMENSIONS NOT REQUIRED)



CHV - TF
HORIZONTAL FACE
CLOSURE - DOUBLE



CHV - AR SIDE
CHV - AL
OPPOSITE

CHV - C
VERTICAL FACE CLOSURE

CHV - L
CHV - R OPPOSITE

**CABINET SHOWER CLOSURES
-CHV, -HAC SUBMITTAL SHEET**

REFERENCE DRAWING #9925-119-001

ORDERING INSTRUCTIONS:

SPECIFY 'GAP' DIMENSIONS AND TYPE OF CLOSURES REQUIRED WHERE INDICATED. FACTORY WILL CALCULATE OVERLAP AND DETERMINE IF INTEGRAL ANGLES ARE REQUIRED. FIELD DIMENSIONS ARE REQUIRED IN WRITING PRIOR TO FABRICATION. MEASUREMENTS FOR CLOSURES SHOULD BE TAKEN AFTER CABINET SHOWERS ARE INSTALLED. REFER TO ACORN CATALOG, PENAL-WARE, MODEL NUMBER AND OPTIONS SECTION FOR ADDITIONAL INFORMATION. FOR INSTALLATION DETAILS SEE DRAWING #9925-119-001.

A- WHERE THE CLOSURES ATTACH TO FRONT, TOP AND SIDES OF THE CABINET, THE CLOSURE SHOULD BE USED AS A TEMPLATE TO MARK THE LOCATIONS TO BE FIELD DRILLED AND TAPPED TO ACCEPT #10-32 UNF X 1/2" LONG (A) VANDAL RESISTANT FASTENERS PROVIDED.

B- WHERE THE CLOSURES ATTACH TO THE WALL OR CEILING, THE CLOSURE SHOULD BE USED AS A TEMPLATE TO MARK THE LOCATIONS TO BE FIELD DRILLED AND TAPPED TO ACCEPT #1/4-20 UNC X 1" LONG (B) VANDAL RESISTANT FASTENERS PROVIDED.



ACORN ENGINEERING COMPANY
P.O. BOX 3527 INDUSTRY, CA. 91744
(626) 336-4561 FAX (626) 961-2200

TITLE CABINET SHOWER CLOSURES		
MANUFACTURE DATE FEBRUARY 1995 TO PRESENT	DATE ISSUED 02/03/09	DRAWING NUMBER 9925-117-001
	DATE REVISED 07/13/11	