



## Penal-Ware® 1736ADA-A Series Cabinet Shower - ADA Compliant



1736ADA-A-SLR-03-M

Fixture May Show Some Available Options

Please visit [www.acorneng.com](http://www.acorneng.com) for most current specifications

### Cabinet Shower - ADA Compliant

**Cabinet Shower** is fabricated from 14 gage, type 304 stainless steel with exposed sides of the exterior and the interior having a satin finish. Showerhead location may result in water spray falling outside the Shower compartment. We recommend a Floor Drain by others be located near the Shower entrance. Optional Wall Sleeve or Metal Template is recommended for all required wall openings.

**Shower Panel** includes a conventional fixed rear mount Showerhead provided at a 72" discharge height and a Handheld Shower with Mounting Bracket at 48" AFF for seated bathers. The handheld Shower includes 60" long stainless steel Hose, Sprayhead, Vacuum Breaker and Quick-Disconnect. Unit is optionally available with suffix option -FH Fixed Head mounted at 48" in lieu of the handheld Shower.

**Shower Floor** is 12 gage stainless steel with a slip resistant surface and stainless steel reinforcing. Integral Drain is supplied with a removable Grid Strainer and provides for an Inside Caulk connection to 2" pipe. The Shower Threshold is 2" high and requires the unit to be recessed into the floor 1-1/2" or be provided with a Ramp by others that complies with ADA Accessibility Guidelines.

**Optional Valves** (ADA compliant) available include Electronic metering options and Air-Control metering. Air-Control Valves are pneumatically operated using atmospheric air. Pushbutton is vandal-resistant and requires less than 5 pounds of force to activate Valve. Valve is metering type with non-hold open feature. Timing is adjustable from 5 to 60 seconds on Air-Control Valve and adjustable from 1 second to 1 hour on electronic valve. Valve includes a 1.6 GPM flow restrictor and can be remotely located up to 10 feet from the operating Pushbutton.

**Regularly furnished** items include an ADA compliant Control Valve, stainless steel recessed Soap Dish, tamper-resistant Fasteners, Handheld Shower, horizontal welded-in two-wall Grab Bar, 24" vertical Grab Bar, integral stainless steel Seat and auto-release Towel Hook welded on outside of Door Jamb.

### ADA Conformance

Fixture is intended to meet applicable Shower accessibility requirements for ADA, UFAS and ANSI. Compliance is subject to the interpretation and requirements of the local code authority.

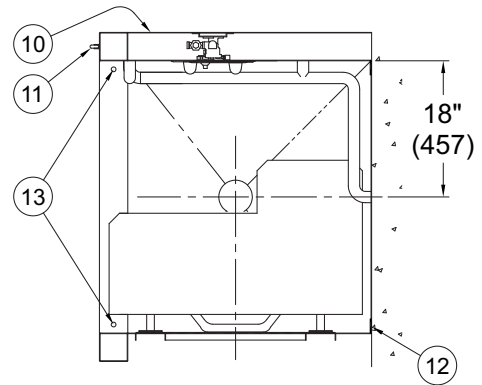
### GUIDE SPECIFICATION

Provide and install an Acorn ADA Compliant Cabinet Shower (specify model number and options). Cabinet shall be fabricated from 14 gage, type 304 stainless steel. Exposed surfaces shall have a satin finish except the Shower Floor which shall have a slip-resistant, matte finish. A conventional showerhead at 72" AFF shall be provided in addition to a Handheld Shower with fixed Mounting Bracket and a 60" long stainless steel flexible Hose. Cabinet shall be provided with a horizontally mounted, two-wall grab bar, 24" vertical Grab Bar, an integral stainless steel Seat, a Towel Hook and a recessed Soap Dish. Unit shall meet applicable Shower accessibility requirements for ADA, UFAS and ANSI. Cabinet Shower shall be installed according to manufacturer's instructions.

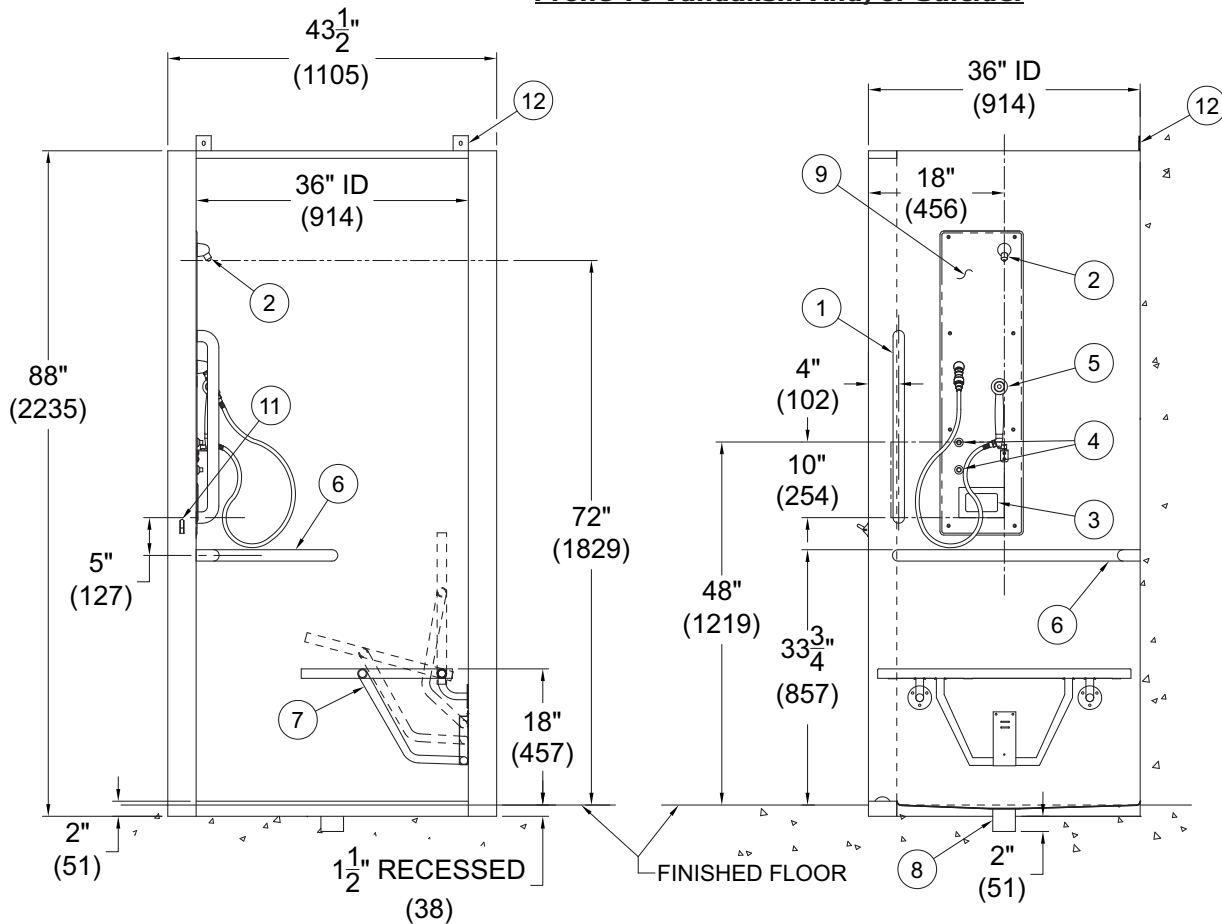
# Penal-Ware® 1736ADA-A: Cabinet Shower - ADA Compliant



1. 24" Vertical Grab Bar
2. Fixed Showerhead At 72"
3. Recessed Soap Dish
4. Valve Pushbutton
5. Handheld Shower With 60" S.S. Hose
6. Horizontal Two-Wall Grab Bar
7. Optional Folding Stainless Steel Seat  
(See Note \*)
8. 2" Inside Caulk Waste Thru Floor
9. Removable Access Panel W/ Vandal Resistant Screws
10. Optional -CHW\_L Closure Wall Panel
11. Collapsible Towel Hook
12. Wall Mounting Tabs
13. Optional -TA Threshold Anchors Shown



**\*NOTE: Folding Seat Is Not Recommended For Use In Areas Prone To Vandalism And/or Suicide.**



**1736ADA-A-SLL-03-M-FSS-CHW L**



# Penal-Ware® 1736ADA-A: Cabinet Shower - ADA Compliant

**BASE MODEL NUMBER**

1736ADA-A Cabinet Shower - ADA Compliant

**POLISHED EXTERIOR WALLS (Must Specify)**

- PWB Polished Exterior Wall Back
- PWL Polished Exterior Wall Left
- PWR Polished Exterior Wall Right
- PWN Polished Exterior Wall None

**SHOWER LOCATION (Must Specify)**

- SLL Shower Location Left
- SLR Shower Location Right

**MODEL NUMBER AND OPTIONS SELECTION:**

**VALVE SELECTION (Must Specify)**

**Air-Control (Pneumatic)**

- 03-M Single Temp, Metering
- 04-M Hot & Cold, Metering

**T/P Mixing Valve (Sv16)**

- 8 ASSE Compliant T/P Balancing Mixing Valve w/ Patented Ligature Resistant and Vandal Resistant Tri-Lever Handle
- 8MV ASSE 1016 Compliant T/P Temperature/Pressure Balancing Mixing Valve w/ Single-Temp Metering Valve & Patented ADA Compliant Ligature Resistant Tri-Lever Handle

**Master-Trol (Electronic)**

- EVS1 Single Temp
- EVS2 Hot & Cold
- EVSP1 Single Temp, Piezo Button
- EVSP2 Hot & Cold, Piezo Buttons

**Master-Trol PLUS (Electronic)**

- MTP1 Single Temp
- MTP2 Hot & Cold
- MTPP1 Single Temp, Piezo Button
- MTPP2 Hot & Cold, Piezo Buttons

**Time-Trol (Electronic)**

- MVC1 Single Temp
- MVC2 Hot & Cold

**Programmable (Electronic) w/9VDC Plug-In Transformer**

- PPZ1 Single Temp Programmable Piezo Button
- PPZ2 Hot & Cold Programmable Piezo Button

**Valve By Others**

- 9 Punched for Valve by Others

**VALVE OPTIONS**

- BRS Brass Body Valve
- PBH Hemispherical Pushbutton
- TF Transformer, 120VAC to 24VAC (-MVC option only)

**SHOWERHEAD OPTIONS**

- CSH Conical Showerhead
- PYY Penal Lockable Universal Ball Joint
- PZZ Penal Lockable Up-Down Ball Joint

**PRODUCT OPTIONS**

- F Flow Control (Showerhead Only)
  - 2.0 GPM (After July 1, 2018, This Option Will No Longer Be Available For Use in California)
- FH Fixed Head at 48" in Lieu of Hand Shower
- FSS Folding Seat, Stainless Steel (See Note \*)
- GBC Grab Bar w/ Closure Plate (N/A On 24" Vertical GB)
- KD Knock-Down Cabinet
- LFS Less Fixed Seat
- LGB2 Less Two-Wall Grab Bar (Refer To Local Code)
- LGBV Less 24" Vertical Grab Bar (Refer To Local Code)
- LRD Less Recessed Soap Dish
- MD Modesty Door (Not ADA)
  - Hinged Left  Hinged Right
- PSO Positive Shut-Off for Quick Disconnect
- SW Wall Sleeve
  - Thickness: \_\_\_\_\_ Type:  Concrete  Block
  - VG Vent Grille  -VS Valve Supplies
- TA Threshold Anchors
- VG Vent Grille, 8-3/4" x 8-3/4" (1/4" square punched holes providing 20 sq. inches free area)
  - VGB Back Wall  -VGL Left Wall
  - VGR Right Wall

**CLOSURE PANELS (Must Specify)**

**\*\*Refer to Installation Drawings 9925-117-001 and 9925-119-001 For Details Required**

- None No Closures Required
- \*\*If Closures Are Required Type Must Be Specified Below**
- Provide at Later Date (Dimensions to Follow)
- Provide With Cabinet
  - CHV Horizontal & Vertical Closure(s)
    - AL  -AR  -C  -L  -R  -TF
  - CHW Closure Wall Panel
    - L  -R
  - HAC Horizontal & Angled Closure(s)
    - AL  -AR  -TSW
  - STC Sloping Top Closure

Please visit [www.acorneng.com](http://www.acorneng.com) for most current specifications

**WARNING:** Cancer and Reproductive Harm - [www.P65Warnings.ca.gov](http://www.P65Warnings.ca.gov)

<p><b>Important:</b> Installation instructions and current rough-in are furnished with each fixture. Do not rough in without certified dimensions. Dimensions are subject to manufacturer's tolerance of plus or minus 1/4" and change without notice. Acorn assumes no responsibility for use of void or superseded data. © Copyright 2006 Acorn Engineering Company</p>	
<p style="text-align: center;">Selection Summary</p> <p>Model No. &amp; Option _____</p> <p>Quantity _____</p>	<p style="text-align: center;">Approved for Manufacturing</p> <p>Company _____ Title _____</p> <p>Signature _____ Date _____</p>